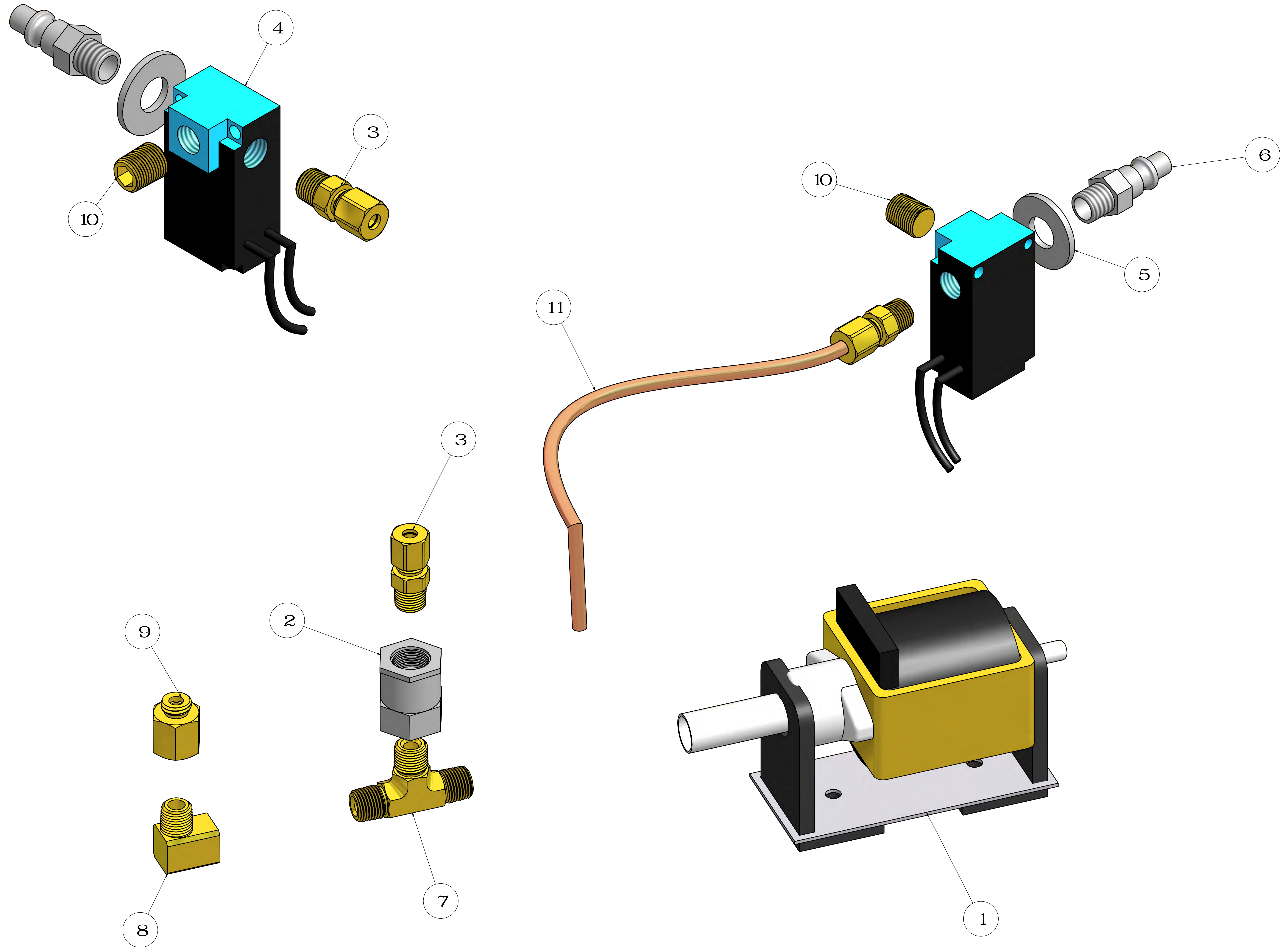


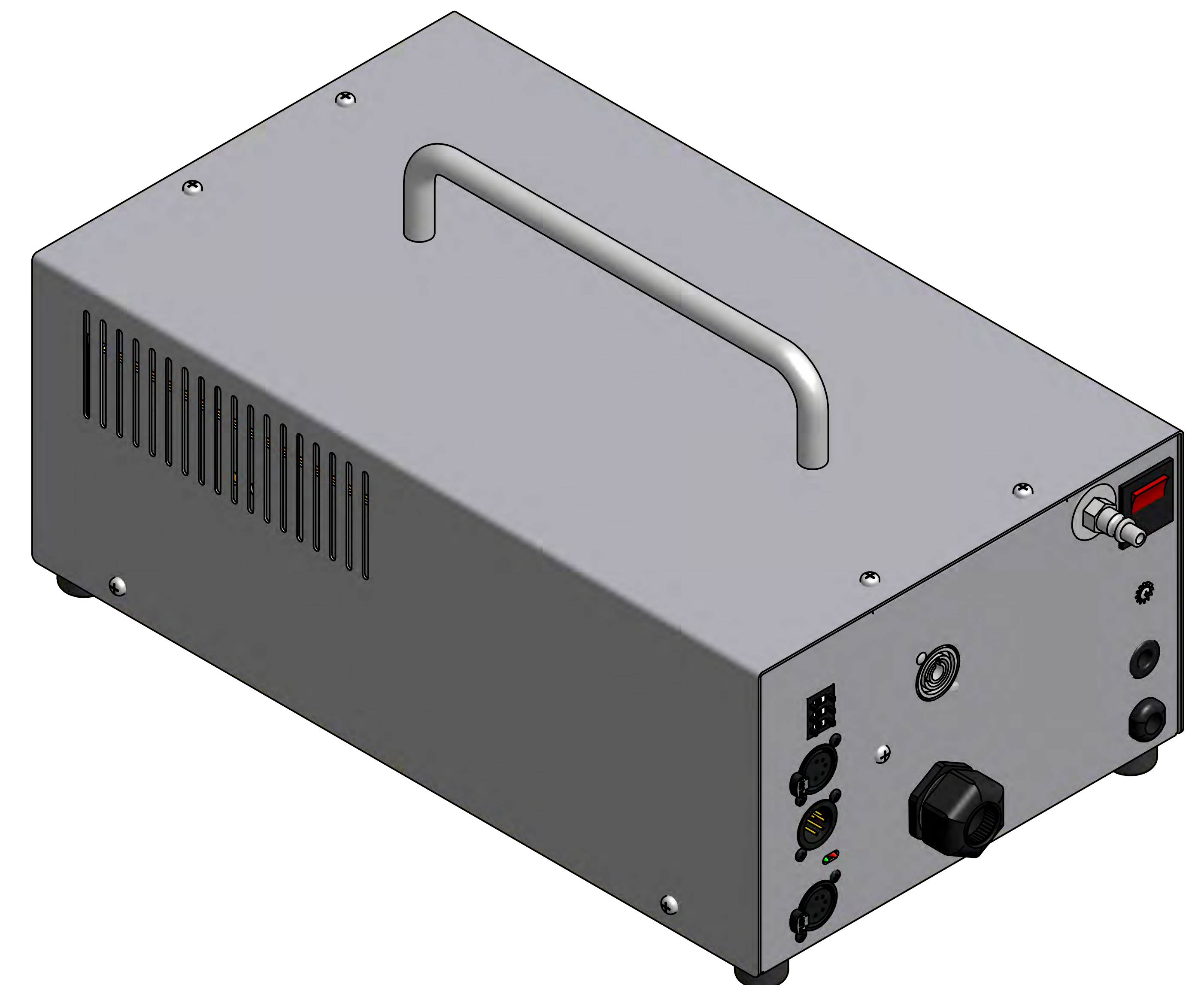
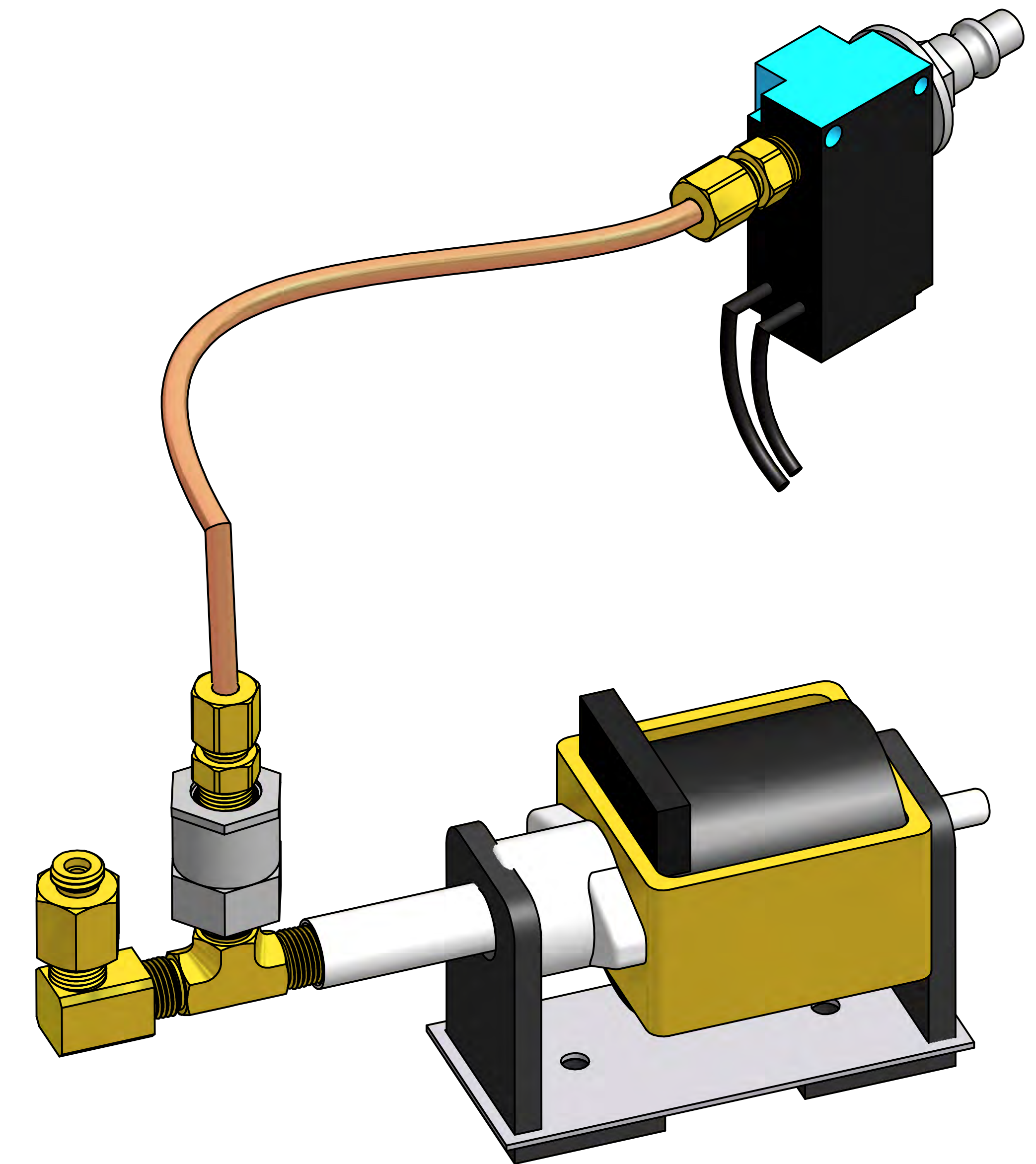
# AIR OPTION-PUMP ASSEMBLY



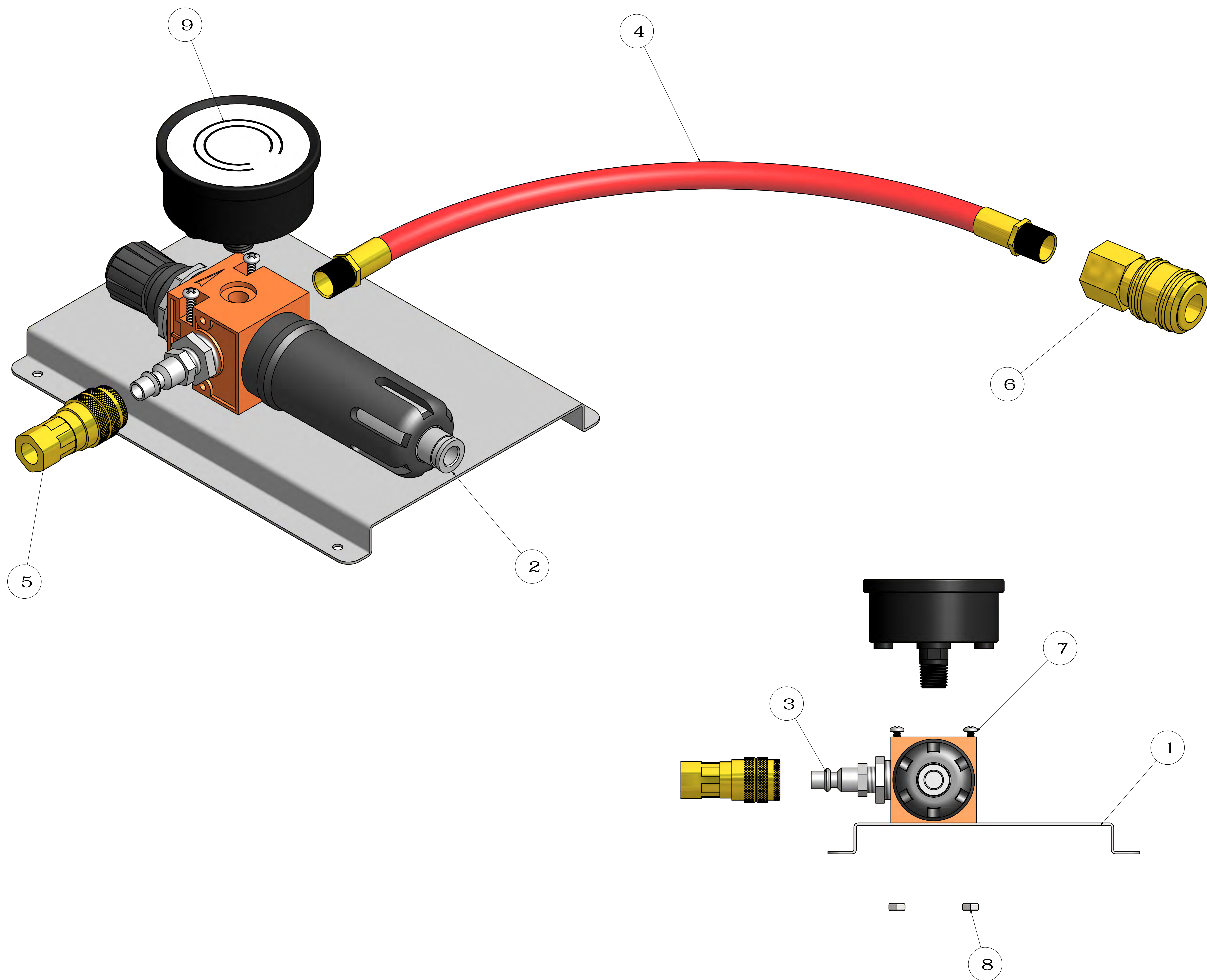
PARTS LIST

ITEM	QTY	SALES NUMBERS	DESCRIPTION
1	1		PUMP-ASSM
2	1	CXP 1035	1/8 CHECK VALVE SHORT AIR OPTION
3	2		INLINE 1/8 PIPE X 3/16 COMP. MALE
4	1	CXP 1217 CXP 1287	SOLENOID VALVE 110V SOLENOID VALVE 220V
5	1		1" OD / 7/16 ID WASHER S.S.
6	1		AIR MALE COUPLER
7	1	CXP 1040	1/8" NPT BRASS TEE STEAMERS
8	1		FEMALE STREET ELBOW 90° 1/8 MP X 1/8 FP
9	1	CXP 1055	1/8 FEMALE NPT - 3/16 COMPRESSION
10	1		1/8 NPT HEXHEAD PLUG
11	1.000LF (Linear Foot) Q3048M	CXP 2438	3/16" COPPER TUBING

AIR OPTION-PUMP ASSEMBLY



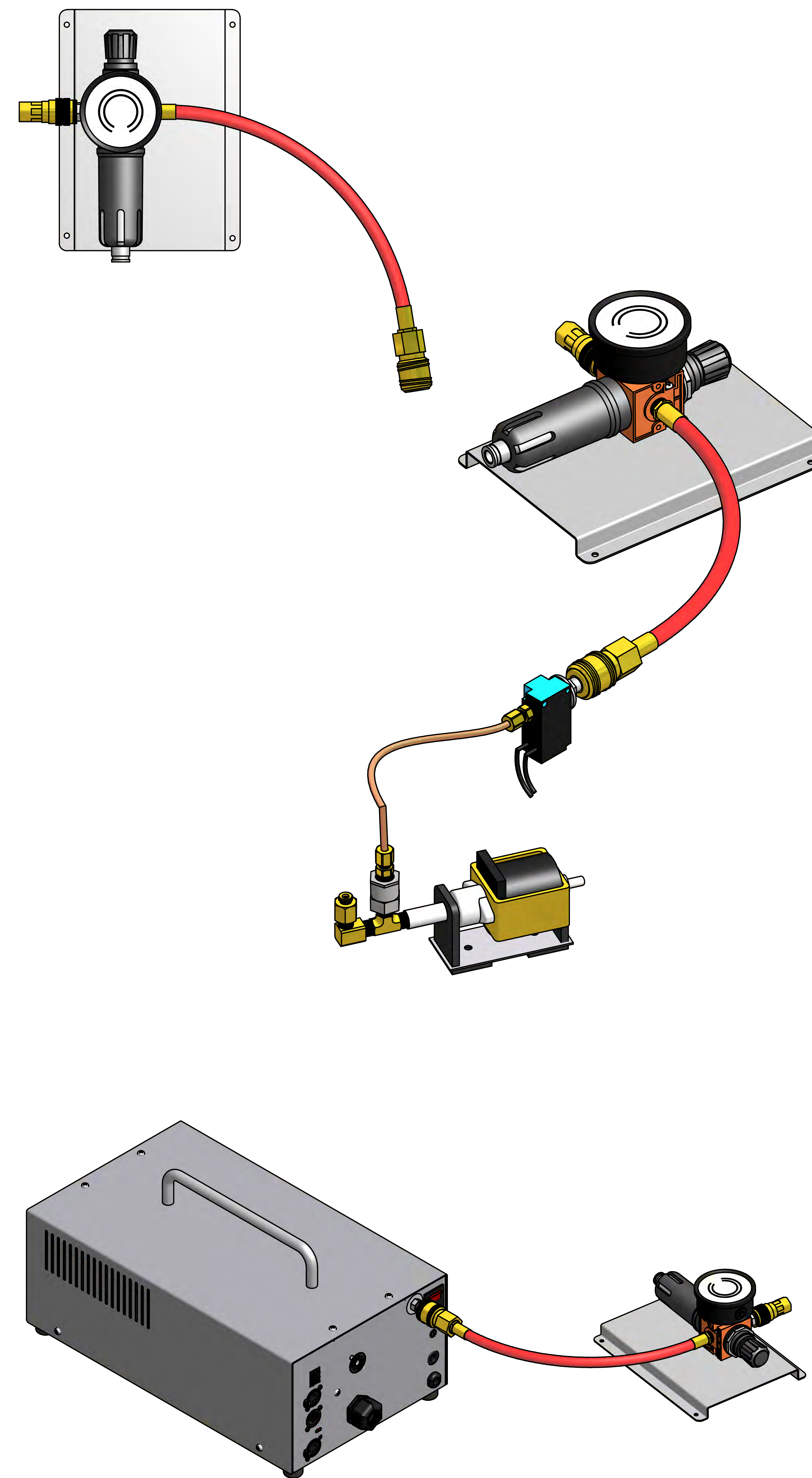
# AIR OPTION REGULATOR ASSEMBLY



PARTS LIST

ITEM	QTY	SALES NUMBER	DESCRIPTION
1	1		STEAMER REGULATOR MOUNTING BRACKET
2	1	CXP 1038	STEAMER REGULATOR/FILTER FOR AIR OPTION
3	1	CXP 1238	1/4" AIR NIPPLE TO 1/4" MALE NPT AIR OPTION
4	1		1/4" X 10 AIR ASSEMBLY 1/4 MNPT (STEAMER)
5	1	CXP 1218	FEMALE AIR COUPLER
6	1		FEMALE AIR COUPLER NEWT
7	2		6/32 X 1 1/2 PAN HEAD SCREW
8	2		#6-32 LOCK NUT
9	1	CXP 1036	STEAMER PRESSURE GUAGE

AIR OPTION REGULATOR ASSEMBLY



REVISION HISTORY	
REV-#	DATE
A	05/01/2017