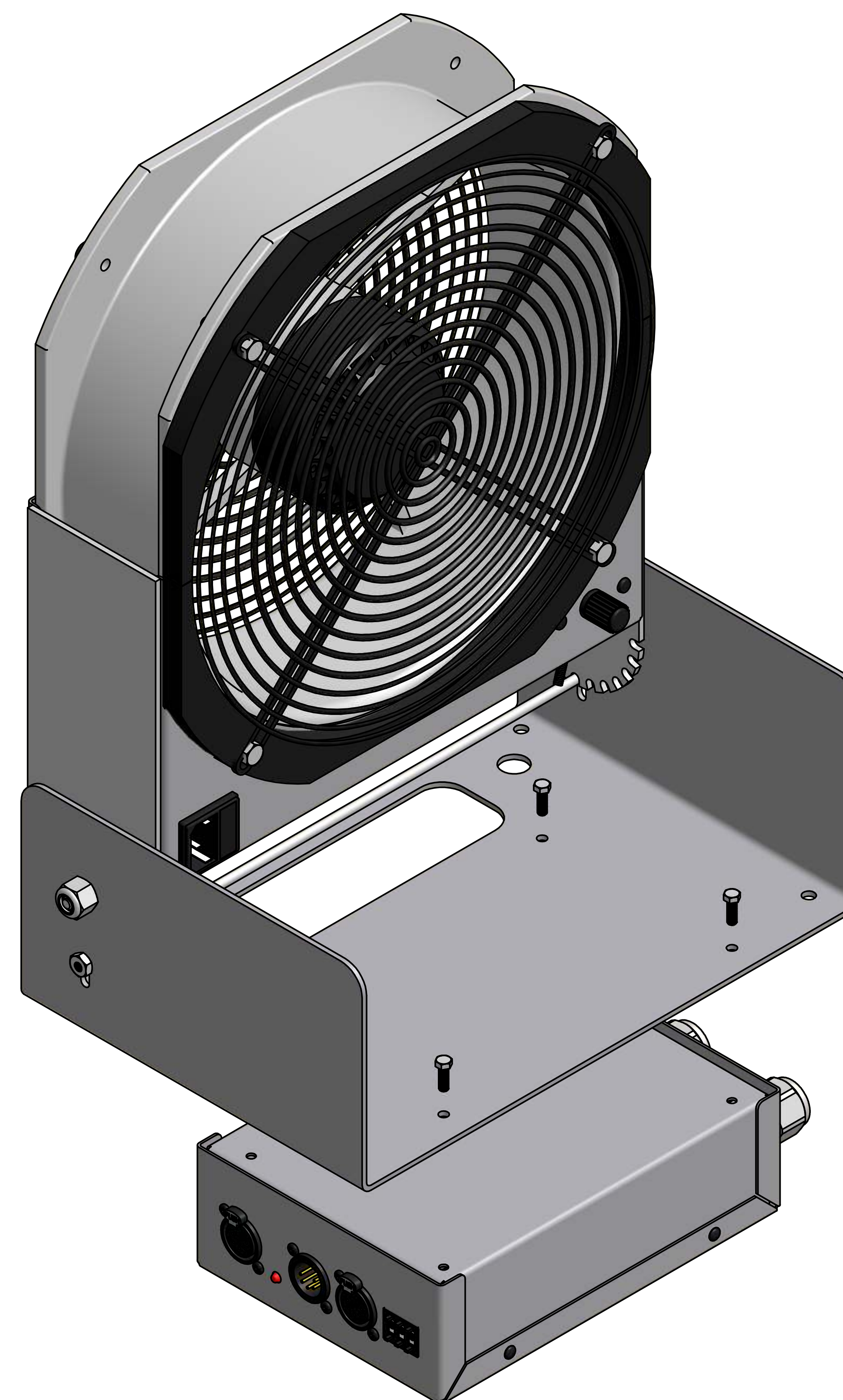
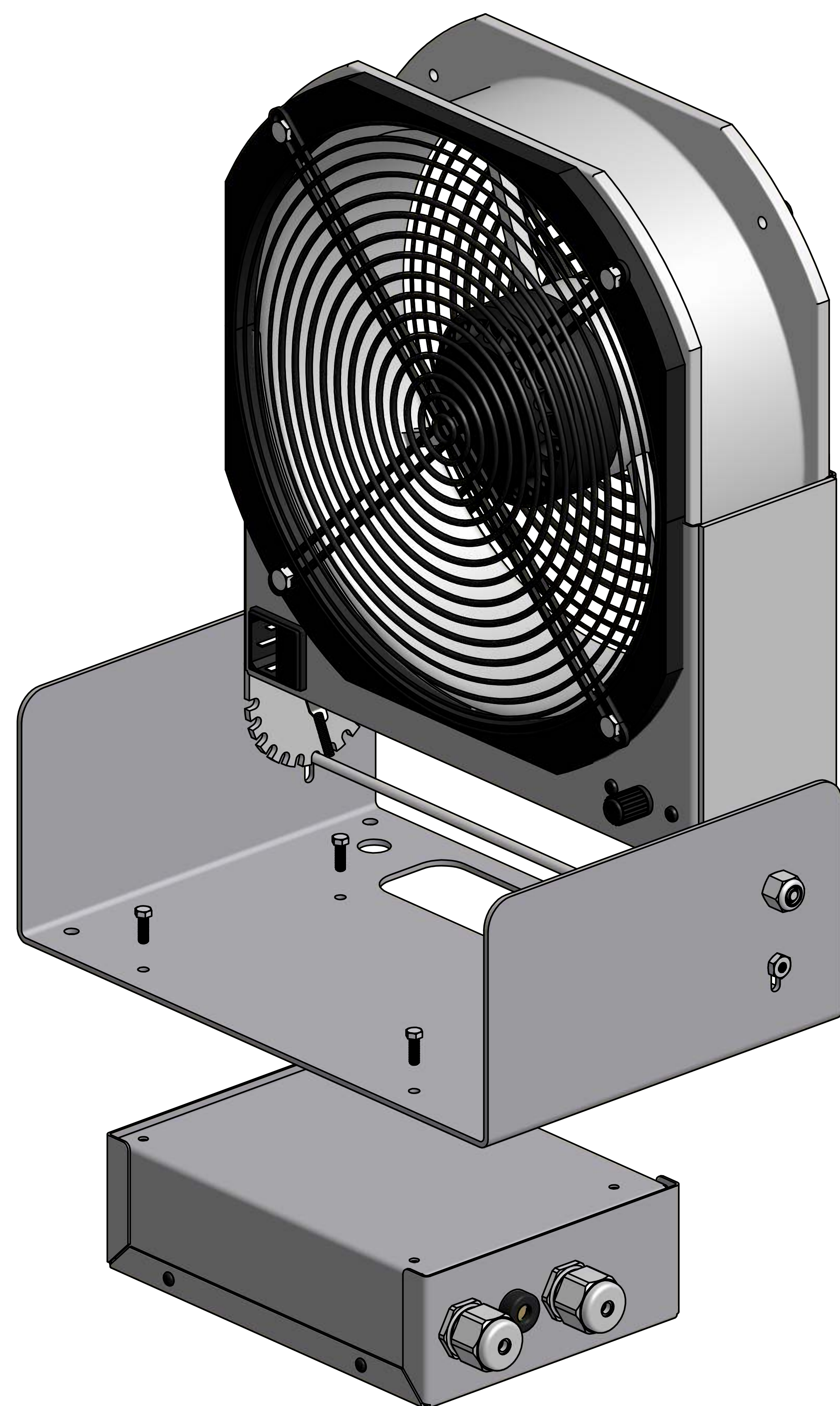
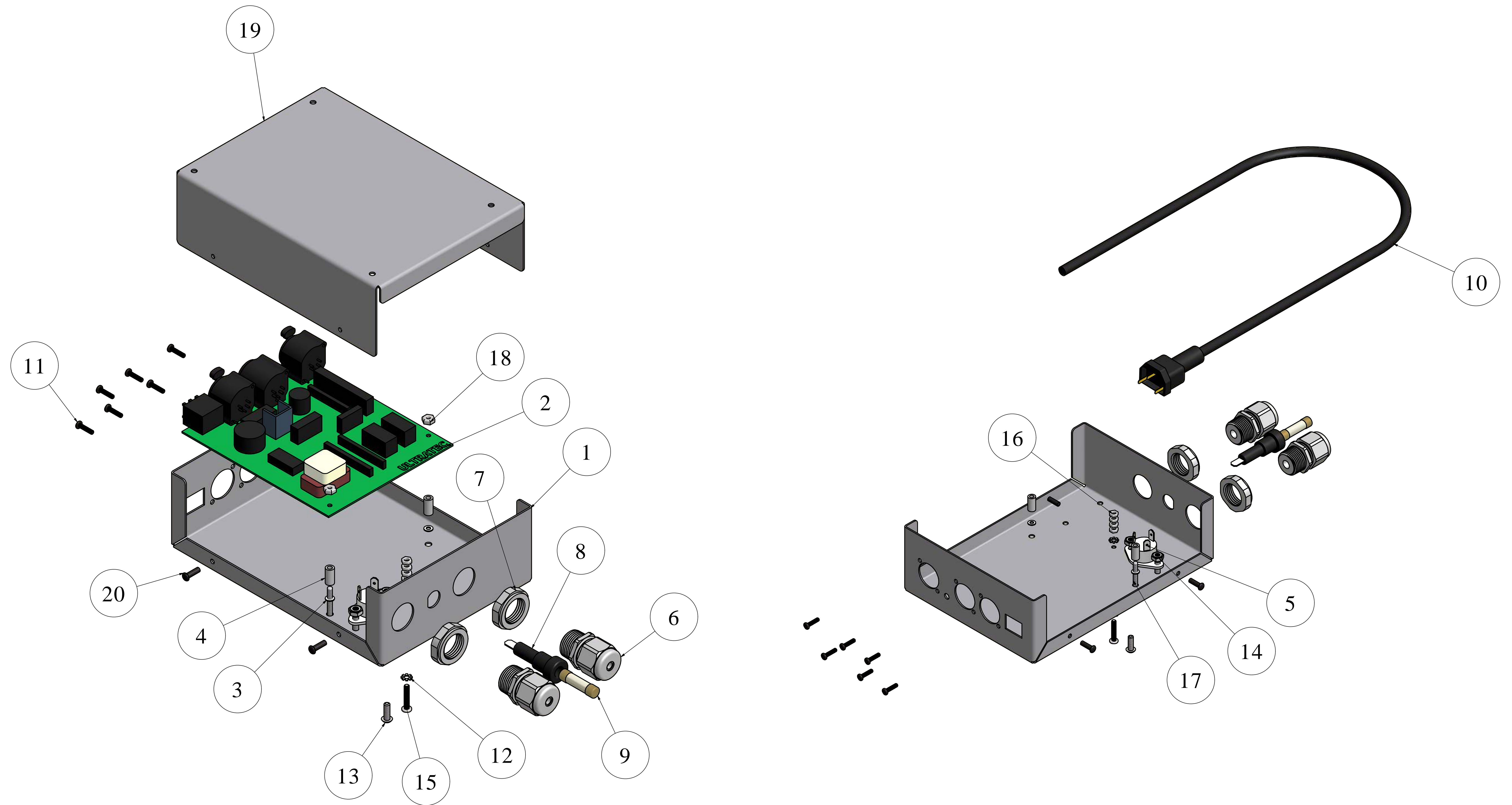


VERSA FAN DMX FLOW BOX - REV- A



VERSA FAN DMX FLOW BOX-110V-REV-A



PARTS LIST



**VERSA FAN DMX FLOW
BOX-REV-A**



ITEM	QTY	SALES NUMBERS	DESCRIPTION
1	1		MULTIFLOW BOX LID
2	1	CXP 7145 CXP 7150	VERSA FAN DMX FLOW BOX PCB 5-PIN 110V VERSA FAN DMX FLOW BOX PCB 5-PIN 220V
3	2		NYLON WASHER FOR STD.POD
4	2		1/2" STANDOFF
5	1	CXP 2475	HEATER TRIAC
6	2	CXP 1222	1/2" PLASTIC STRAIN RELIEF
7	2	CXP 1222	1/2" LOCKNUT CONDUIT
8	1	CXP 1233	POWER/STAGE FOGGER FUSE HOLDER
9	1	CXP 1252	3 AMP FUSE 1.25"
10	1	CXP 6040	14/3 6' POWER CORD W/3 PRONG
11	6		# 4 X 1/2 PAN HI-L0 B/O
12	2		# 6 STAR WASHER
13	2		# 8-32 X 1/2 PAN BOLT
14	2	CXP 1296	8/32" NYLON LOCK NUT
15	1		6/32 X 3/4 PAN PHILL SCREW B/O
16	4		6/32" STANDARD NUT
17	2		# 6-32 X 1" PAN HEAD S.S.
18	2		# 6-32 LOCK NUT
19	1		MULTIFLOW BOX BASE
20	4		# 6-32 X 1/2" SELF TAPPER

REVISION HISTORY	
REV-#	DATE
A	27/09/2016