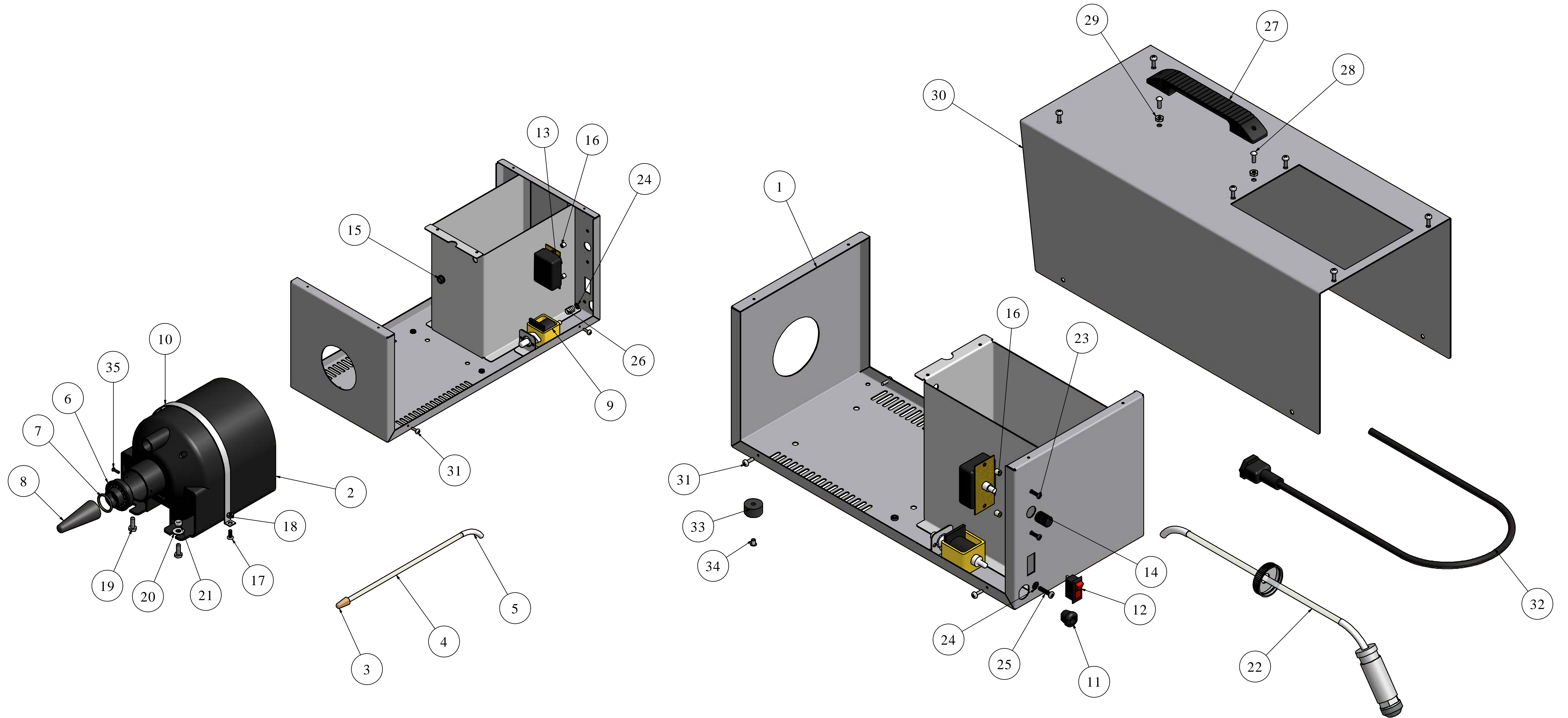
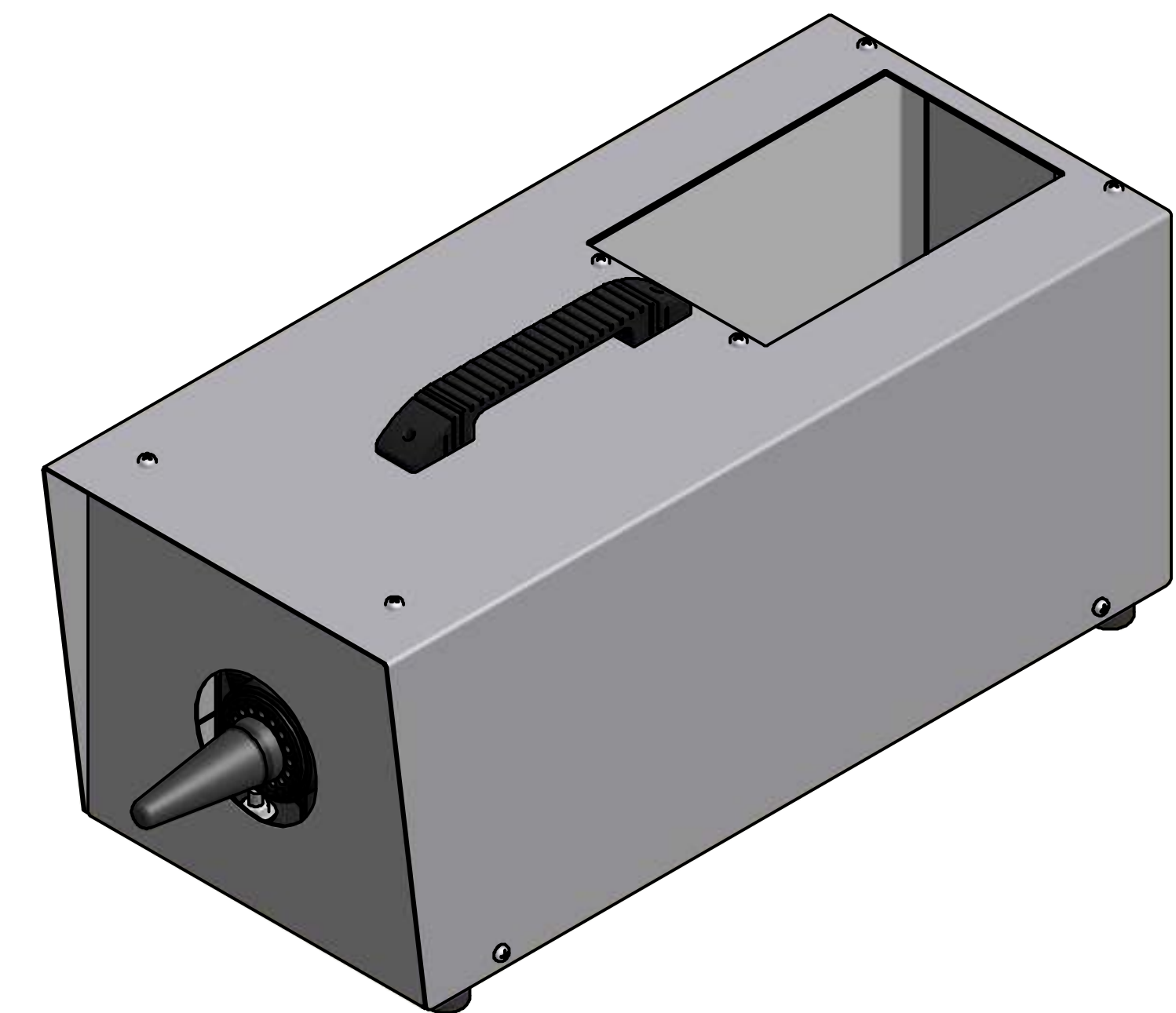
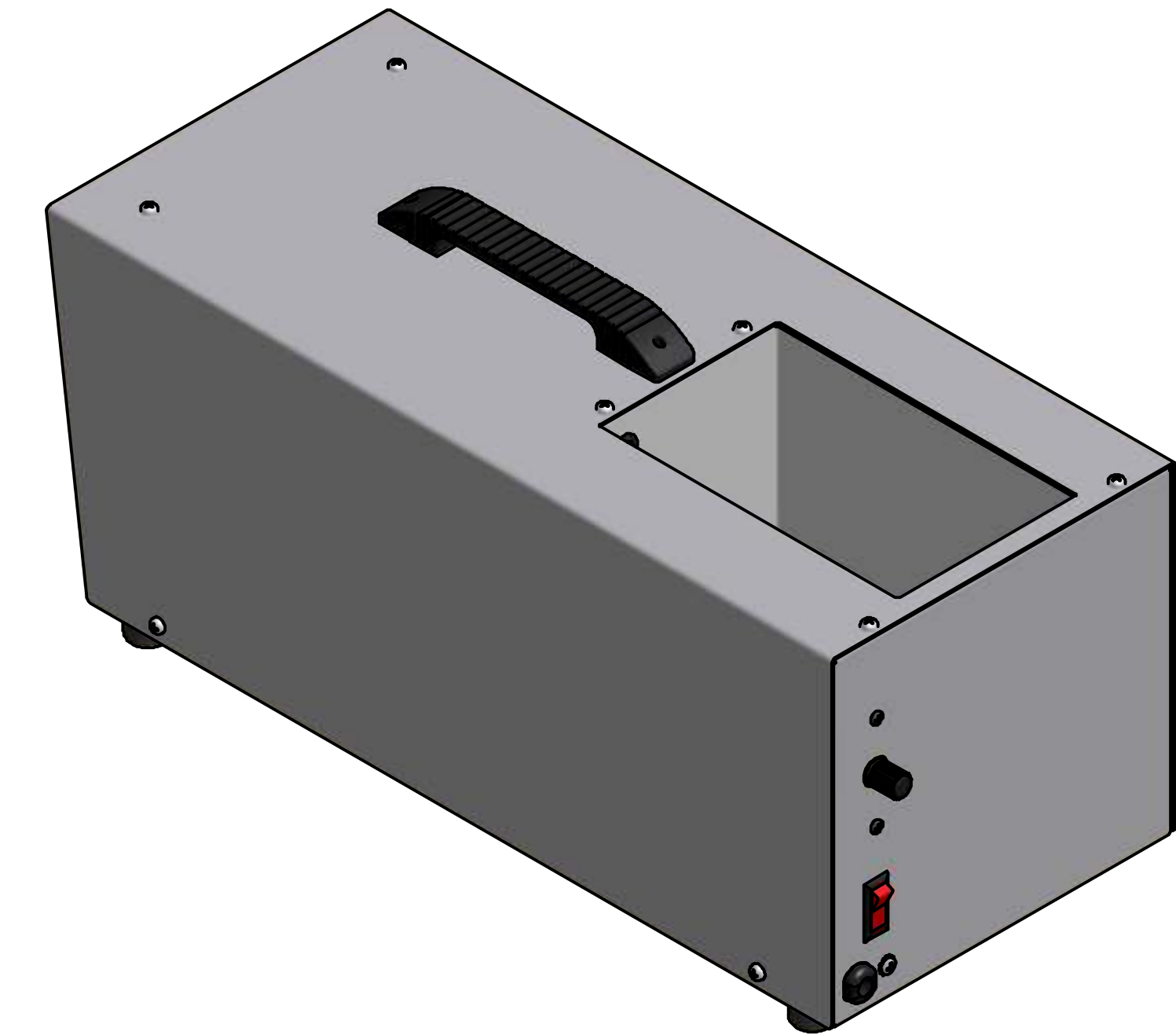


TRUE NORTH SNOW MACHINE 110 V



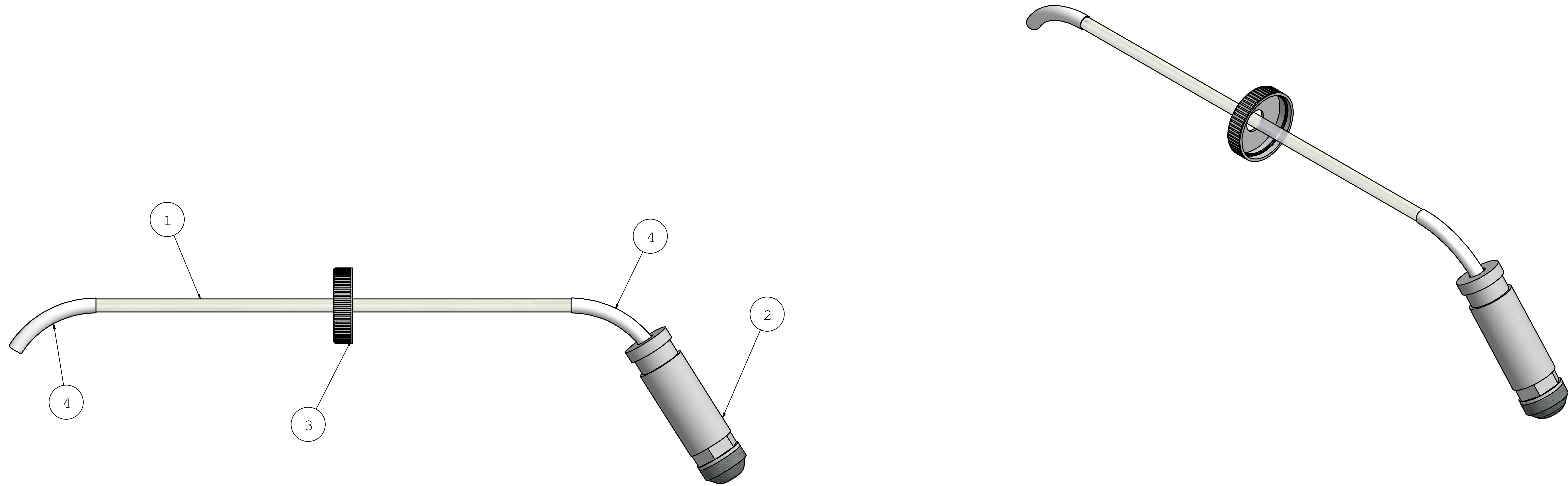
TRUE NORTH SNOW MACHINE 110V



PARTS LIST

ITEM	QTY	SALES NUMBERS	DESCRIPTION
1	1		TRUE NORTH SNOW MACHINE BASE WELD
2	1	CXP 1117 CXP 1285	SNOW MACHINE BLOWER 110V SNOW MACHINE BLOWER 220V
3	1	CXP 3611	SNOW MACHINE 4MM BRASS STONE FILTER
4	1.066 M 3.500 FT	CXP 3616	SNOW MACHINE 4MM FLUID TUBE LF
5	0.300 LF (LinearFoot) 0.0914 M	CXP 2476	1/4" SILICONE TUBE LF
6	1	CXP 7103	SNOW MACHINE PLASTIC NOZZLE
7	1	CXP 3614	SNOW MACHINE O-RING
8	1	CXP 3610	SNOW MACHINE NET NOZZLE W /O-RING
9	1	CXP 3607 CXP 3617	SNOW MACHINE/RADIANCE PUMP 110V SNOW MACHINE/RADIANCE PUMP 220V
10	1	CXP 7110	SNOW MACHINE BLOWER STRAP S.S
11	1	CXP 4261	"D" PLUG FOR 14/3 CABLE
12	1	CXP 7108	RADIANCE/SNOW POWER SWITCH
13	1	CXP 3044 CXP 4034	MC3 FAN SPEED CONTROL 110V MC3 FAN SPEED CONTROL 220V
14	1	CXP 2608	CONTROL KNOB (REMOTE/MC3)
15	1	CXP 1288	1/4" HOLE GROMMET THIN
16	2		1/4" STANDOFF
17	2		# 10-32 X 1/2" PHILP MACHINE SCREW
18	2		10/32 LOCK NUT
19	4		1/4" X 3/4" HEX BOLT PLATED GRADE 5
20	4	CXP 4286	1/4" FLAT WASHER
21	4		1/4" NYLON LOCK NUT
22	1		JUG HOSE ASSEMBLY
23	2		6/32 X 1/2" PAN PHIL SCREW B/O
24	2		# 8 EXTERNAL TOOTH STAR WASHER
25	1	CXP 1294	# 8-32 X 3/4 PHILP PAN HEAD B/O
26	4		8/32 STANDARD NUT
27	1	CXP 2400	MACHINE HANDLE
28	2		# 8-32 X 1/2 PAN BOLT
29	2	CXP 1296	8/32" NYLON LOCK NUT
30	1		TRUE NORTH SNOW LID
31	10	CXP 1272	# 8 X 1/2" SELF TAPPING SCREW B/O
32	1	CXP 6040	14/3 6'POWER CORD W /3 PRONG
33	4	CXP 2436	MACHINE FEET -SET OF 4
34	4		RIVETS -3/16" X 1/2"
35	2		# 6-32 X 1/2" SELF TAPPER

JUG HOSE ASSEMBLY



PARTS LIST			
ITEM	QTY	SALES NUMBERS	DESCRIPTION
1	1.066 M 3.500 FT	CXP 3616	SNOW MACHINE 4MM FLUID TUBE LF
2	1	CXP 4290	INDUSTRIAL FILTER CHECK VALVE
3	1		JUG CAPS WHITE (2 LT / 4 LT)
4	0.300 LF (Linear Foot) 0.0914 M	CXP 2476	1/4" SILICONE TUBE LF

REVISION HISTORY	
REV-#	DATE
B	11/10/2016