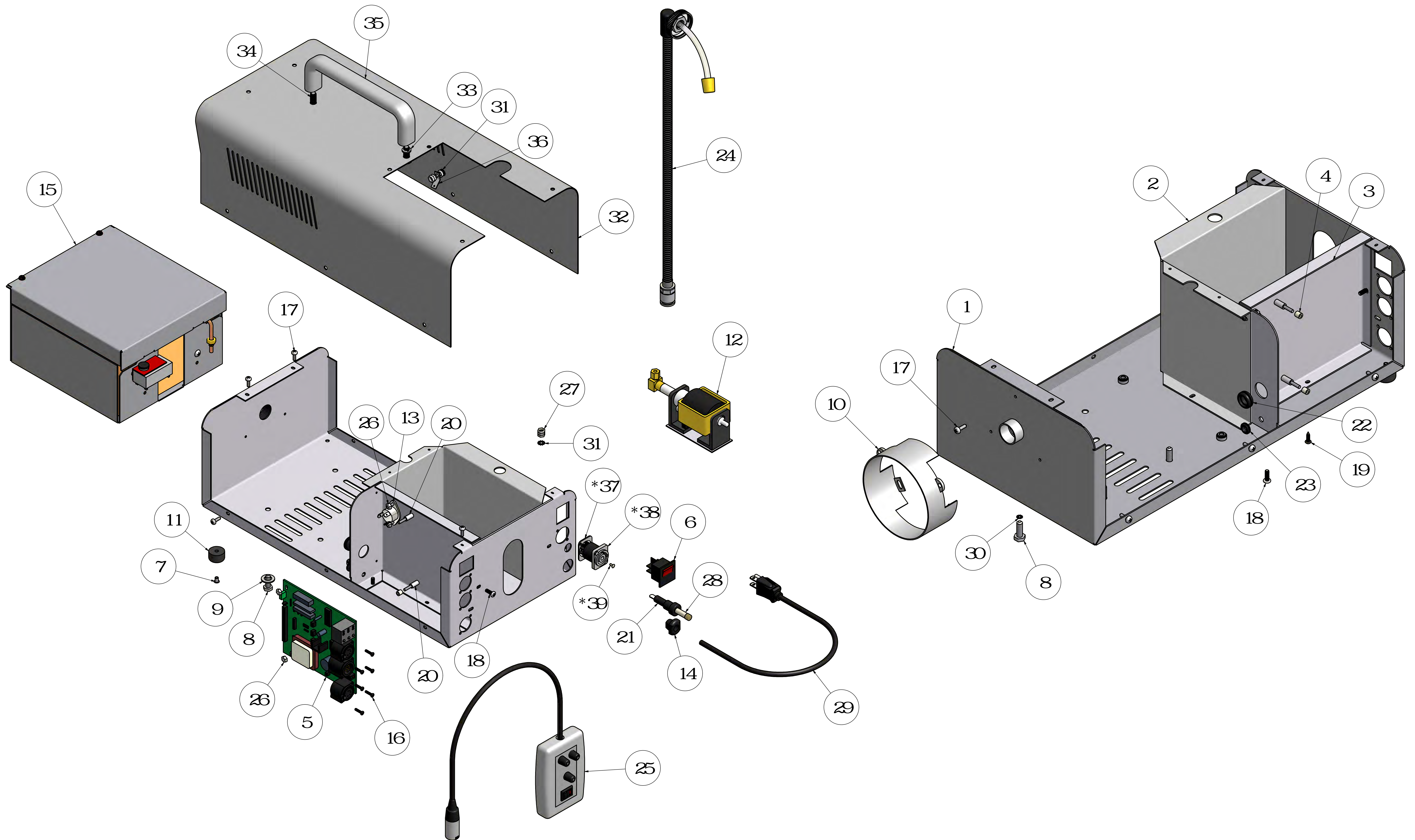


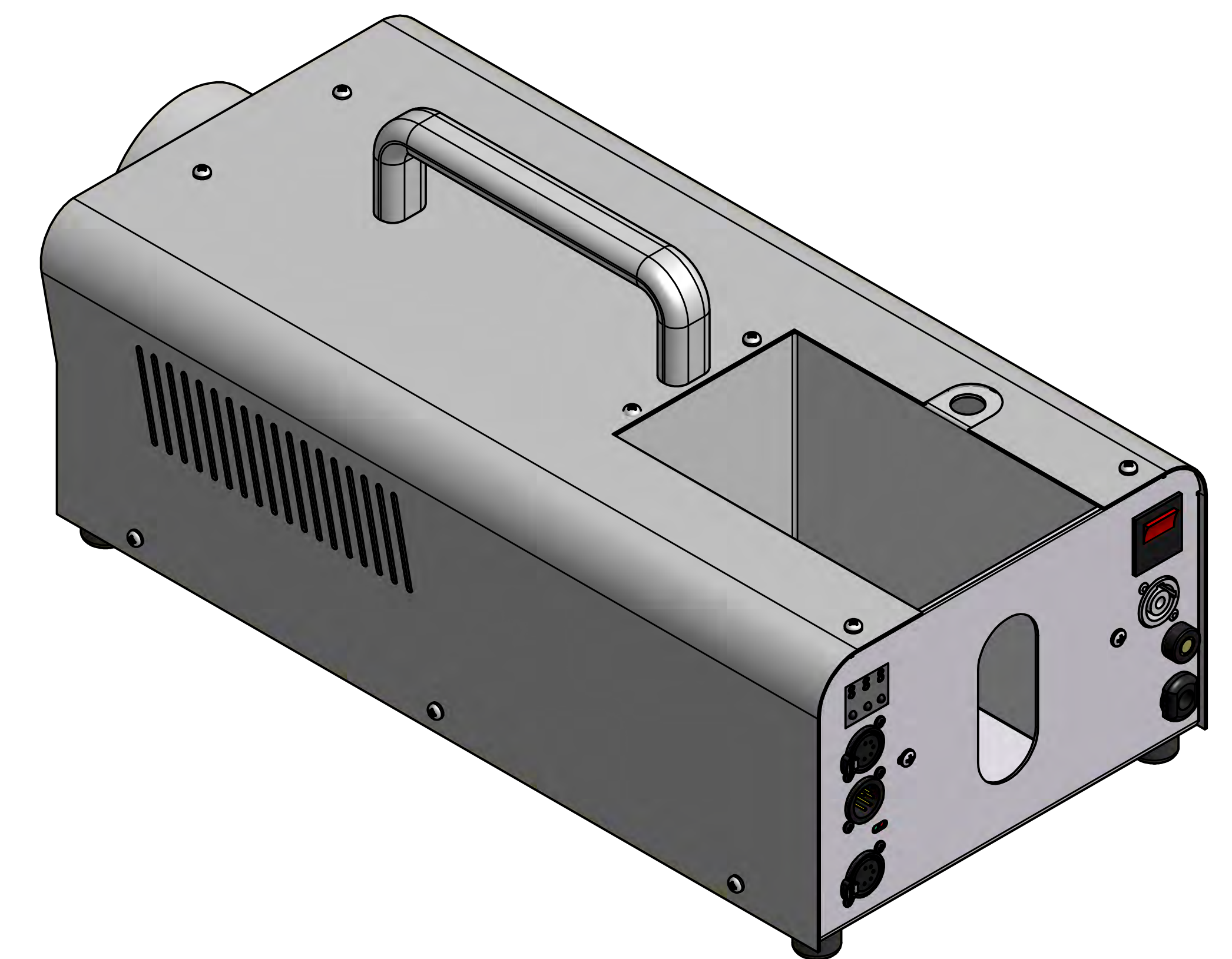
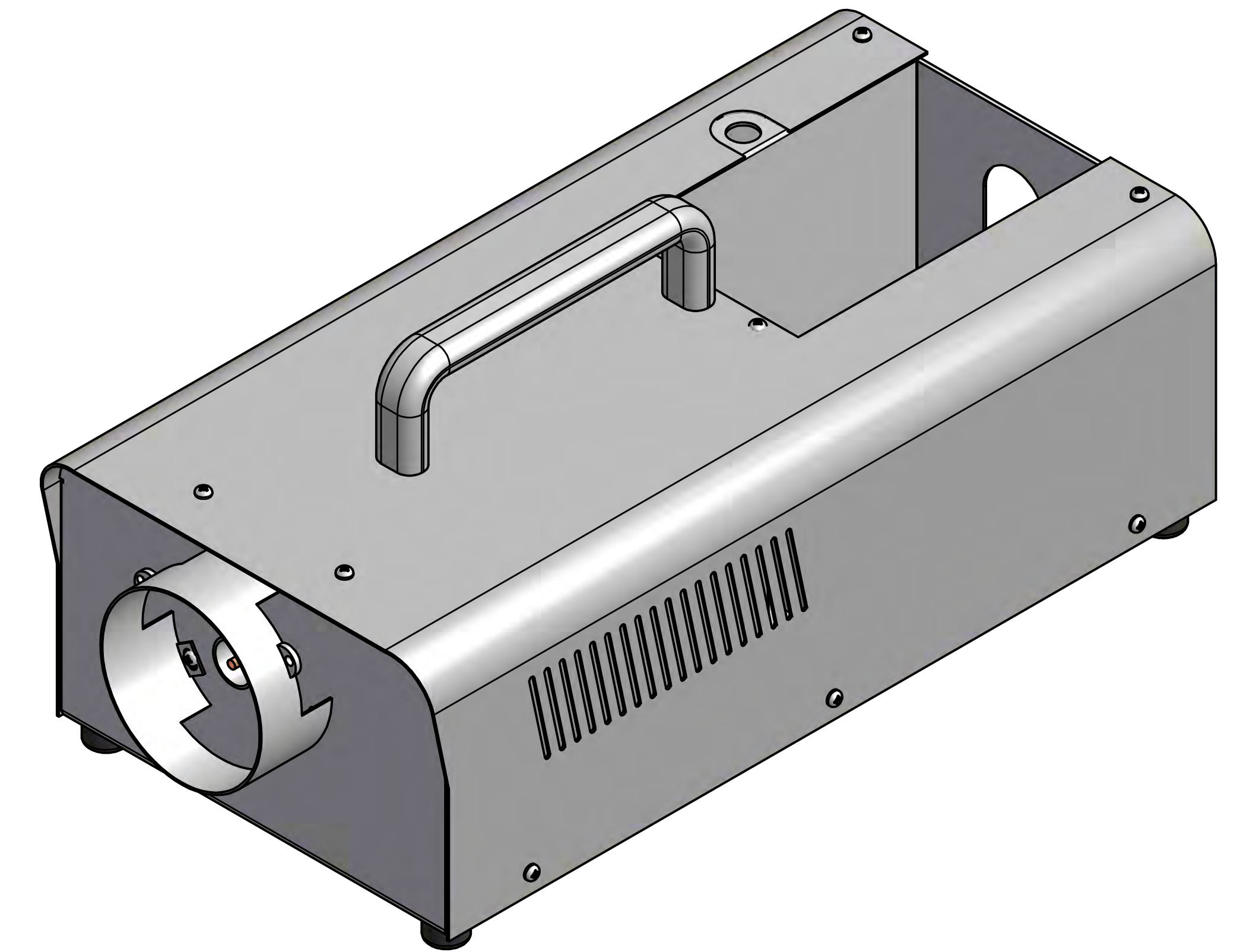
# PREMIER FOGGER 110V REV-B



## PARTS LIST

ITEM	QTY	SALES NUMBER	DESCRIPTION
1	1		PREMIER FOGGER CHASSIS BASE
2	1		PREMIER FOGGER JUG HOLDER A
3	1		PREMIER FOGGER JUG HOLDER B
4	2		1/4" STANDOFF
5	1	CXP 1680	UNIVERSAL RDM PCB 110V
		CXP 1682	UNIVERSAL RDM PCB 220V
6	1	CXP 3040	ILLUMINATED POWER SWITCH
7	6		ALUMINUM RIVETS - 3/16" X 1/2"
8	4		1/4" X 3/4" HEXBOLT PLATED GRADE 5
9	3	CXP 4255	LOCK WASHER - 1/4"
10	1	CXP 1046	SHOW/STAGE/G3000 4" HOSE ADAPTER
11	4	CXP 2436	MACHINE FEET - SET OF 4
12	1		PUMP ASSEMBLY
13	1	CXP 2475	HEATER TRIAC
14	1	CXP 4261	"D" PLUG FOR 14/3 CABLE
15	1		PREMIER FOGGER BLOCK - 110V
16	6		#4 X 1/2 PANPHILLIPS H-LOBO
17	15	CXP 1272	#8 X 1/2' SELF TAPPING SCREW B/O
18	3		#8 32 X 1/2 PANPHILMS B/O
19	4		#6 X 1/2' SELF TAPPERS
20	2		1/2" STANDOFF
21	1	CXP 1233	POWER/STAGE FOGGER FUSE HOLDER
22	1		1/2" RUBBER GROMMET
23	1		5/32" RUBBER GROMMET
24	1		JUG HOSE ASSEMBLY
25	1	CXP 4139	POWER/SHOW/STAGE FOGGER REMOTE 5- PIN
26	4		#6 32 LOCK NUT
27	6		8/32 STANDARD NUT
28	1	CXP 1097	15 AMP FUSE 1.25" - 110V
		CXP 2012	12 AMP FUSE 1.25" - 220V
29	1	CXP 6040	14/3 6 POWER CORD W/3 PRONGS
30	1		1/4" EXTERNAL TOOTH LOCK WASHER
31	2		#8 EXTERNAL TOOTH STAR WASHER
32	1		PREMIER FOGGER LID
33	2		5/16 LOCK WASHER
34	2		5/16 X 3/4 HEXBOLT
35	1	CXP 4238	G3000 MACHINE HANDLE
36	1	CXP 4257	G3000 FUSE CLIP
*37	1		GREY NEUTRIK BACK MOUNT PLATE
*38	1	CXP 4197	GREY NEUTRIK MALE CHASSIS POWER OUT
*39	2		1/8 X 1/2" RIVET B/O

## PREMIER FOGGER 110V REV-B

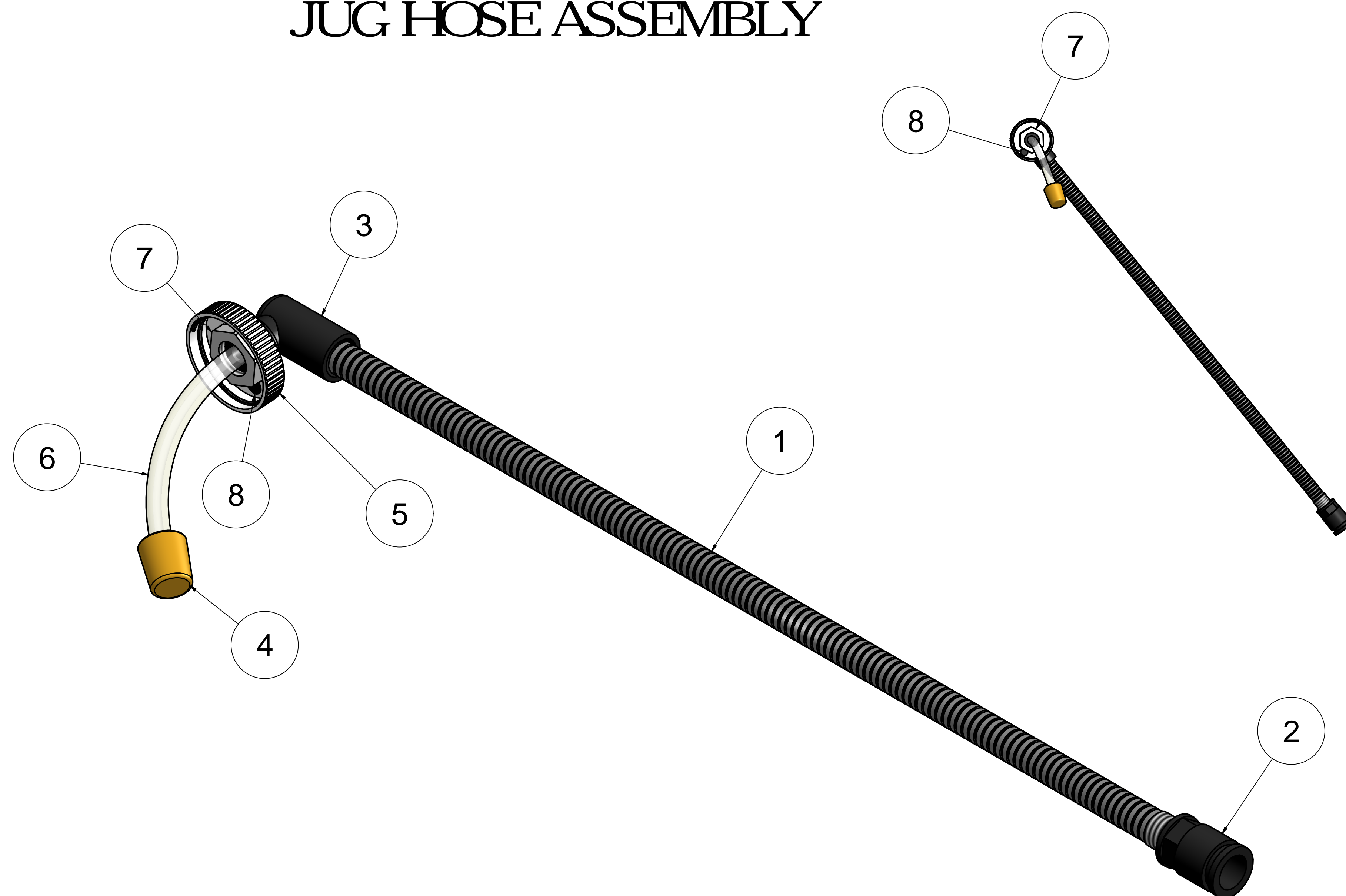


\* Rev-B :- Added Auxiliary Power to Connect LSG MKII System

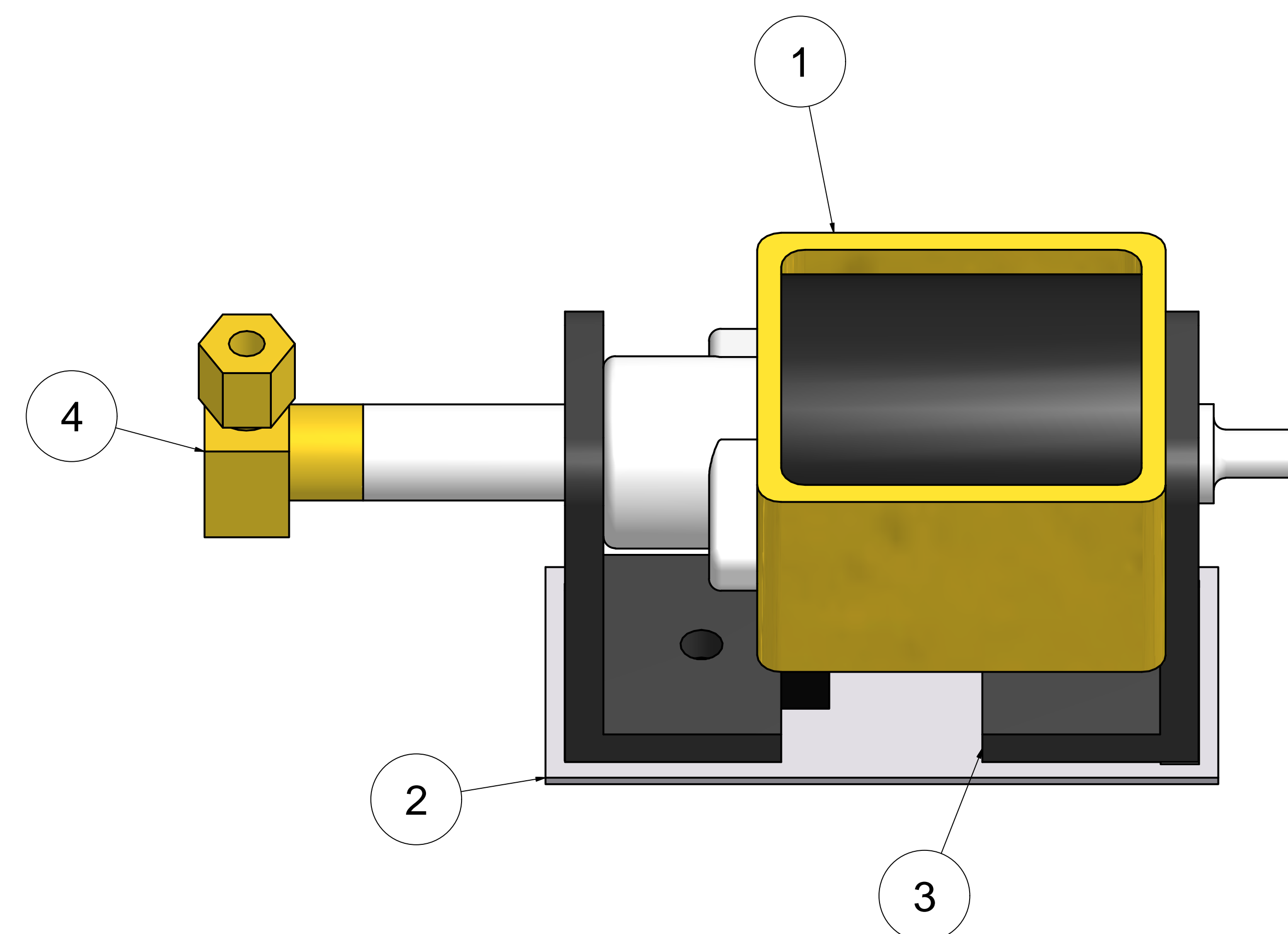
REVISION HISTORY

REV-#	DATE	DESCRIPTION
A	08/09/2016	INITIAL RELEASE # 1
B	13/07/2018	ADDED AUXILIARY POWER TO CONNECT LSG MKII SYSTEM

JUG HOSE ASSEMBLY



PUMP ASSEMBLY



PARTS LIST

ITEM	QTY	SALES NUMBER	DESCRIPTION
1	0.9842 LF (Linear Foot) 0.300 M	CXP 4245	G3000 BLACK HOSE COVER LF
2	1	CXP 4246	G3000 BLACK HOSE END STRAIGHT
3	1	CXP 4247	G3000 BLACK HOSE 90* ANGLE HOSE END
4	1	CXP 4402	1/4" BRASS STONE FILTER ASSEMBLY
5	1		JUG CAP WHITE ( 2 LT / 4 LT)
6	2.600 LF (Linear Foot) 0.7924 M	CXP 2476	1/4" SILICONE TUBE LF
7	1	CXP 4259	PLASTIC NUT
8	1	CXP 1118	GORTEX JUG VENT

PARTS LIST

ITEM	QTY	SALES NUMBER	DESCRIPTION
1	1	CXP 4148 CXP 4150	PUMP 110V PUMP 220V
2	1	CXP 4258	PUMP BRACKET FLAT
3	2	CXP 4258	NEW STYLE PUMP RUBBERS
4	1	CXP 2431	3/16 PUMP ELBOW MALE - NORTH AMERICAN