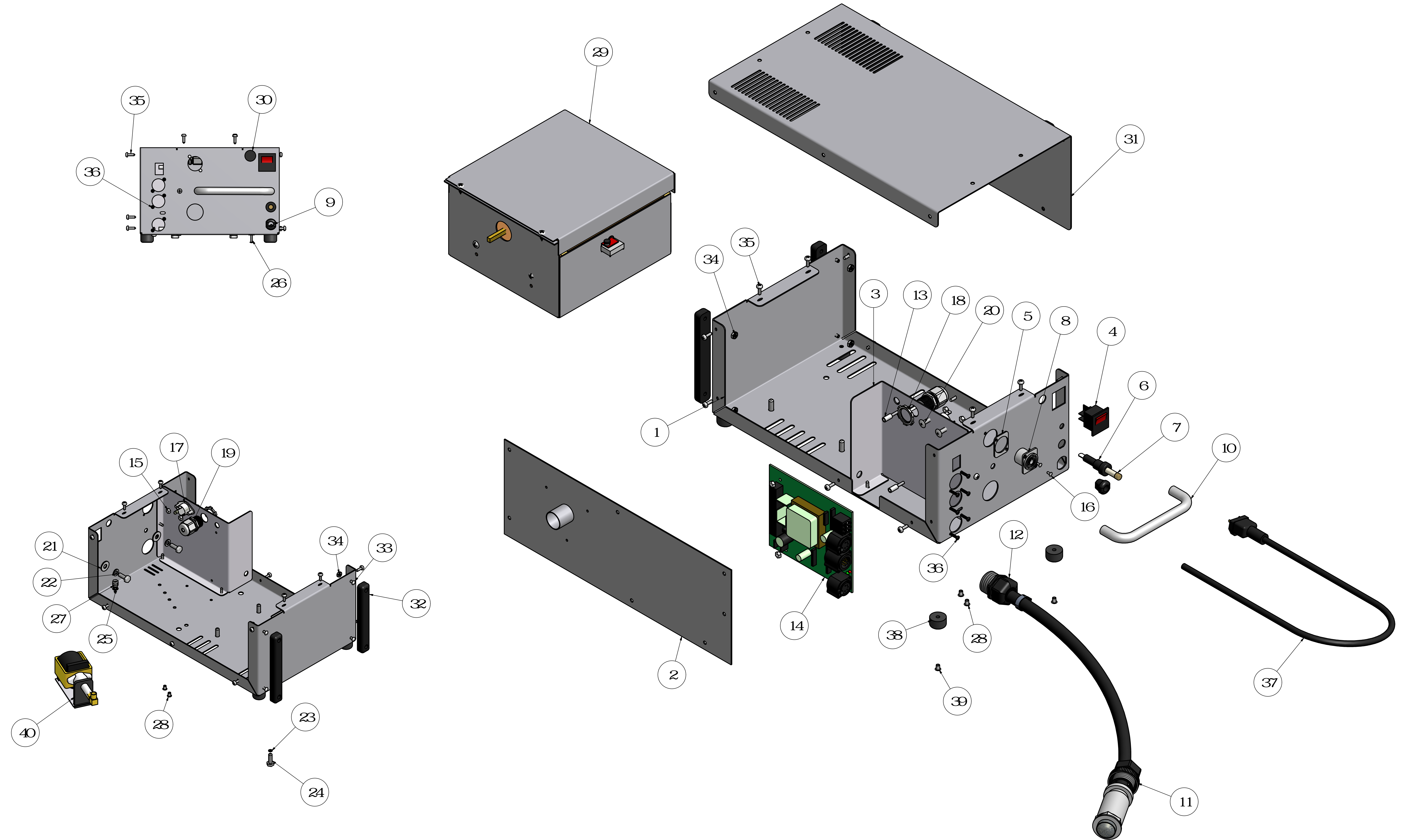
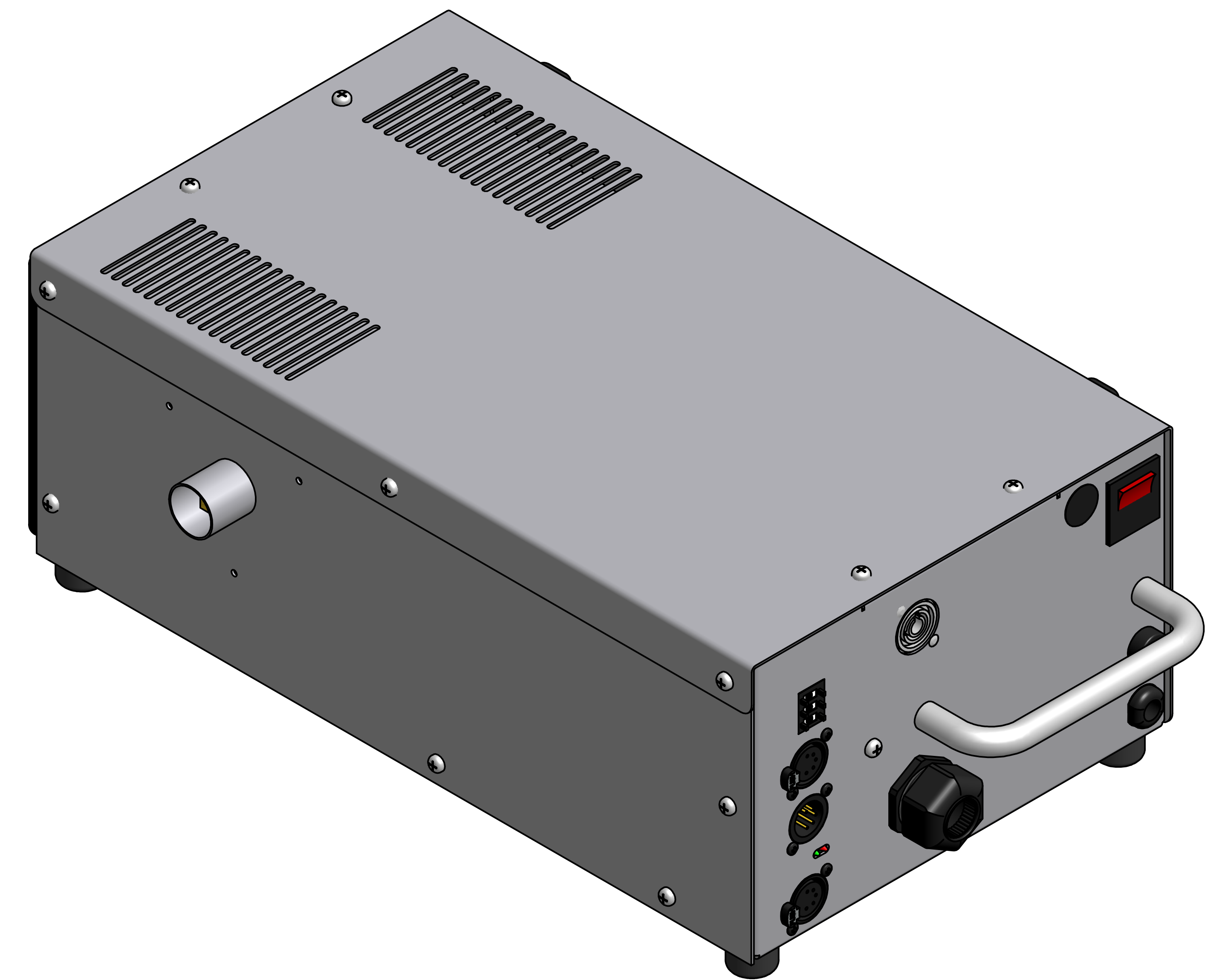


9D POWER FOGGER INDUSTRIAL 110V



PARTS LIST

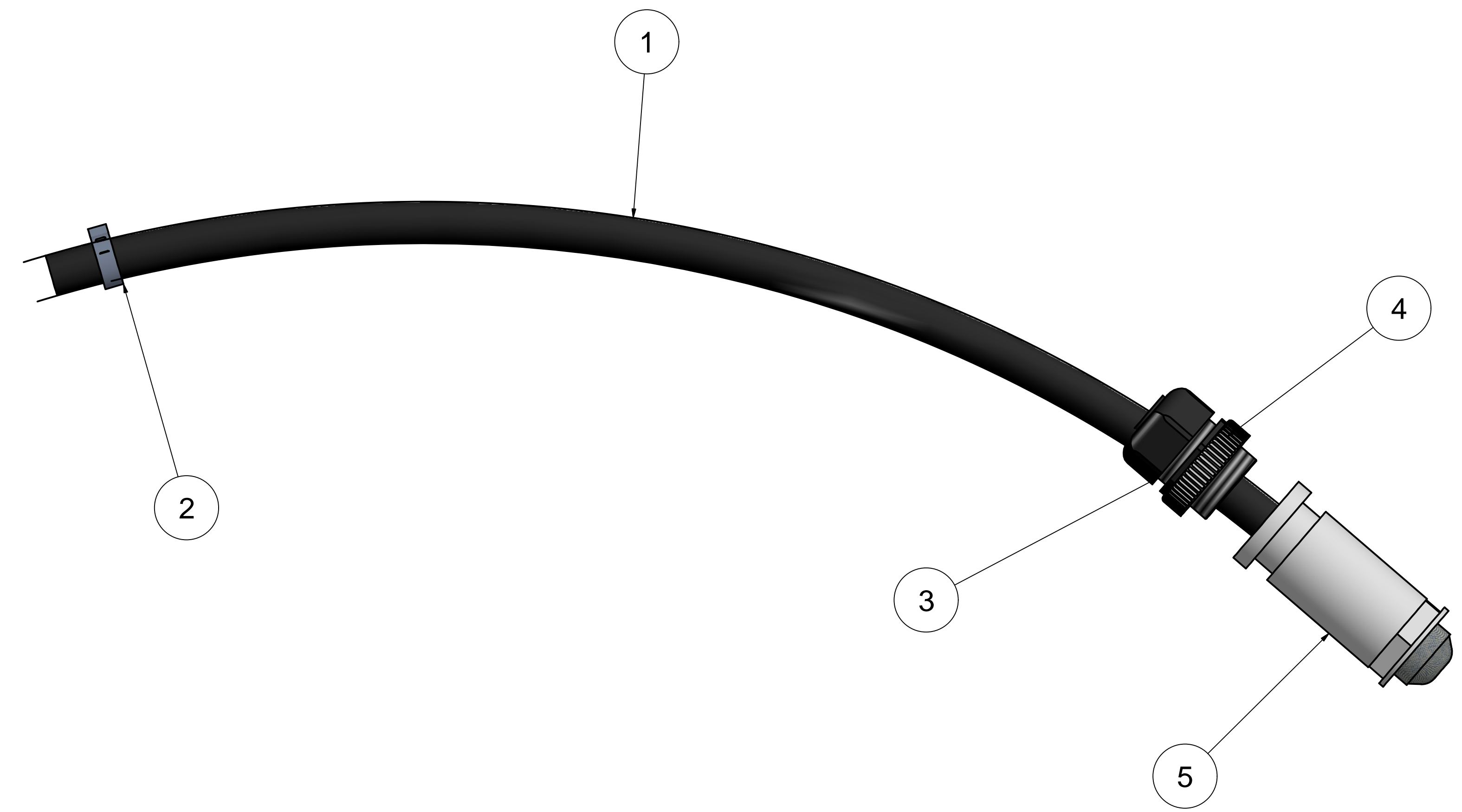
9D POWER FOGGER INDUSTRIAL 110V



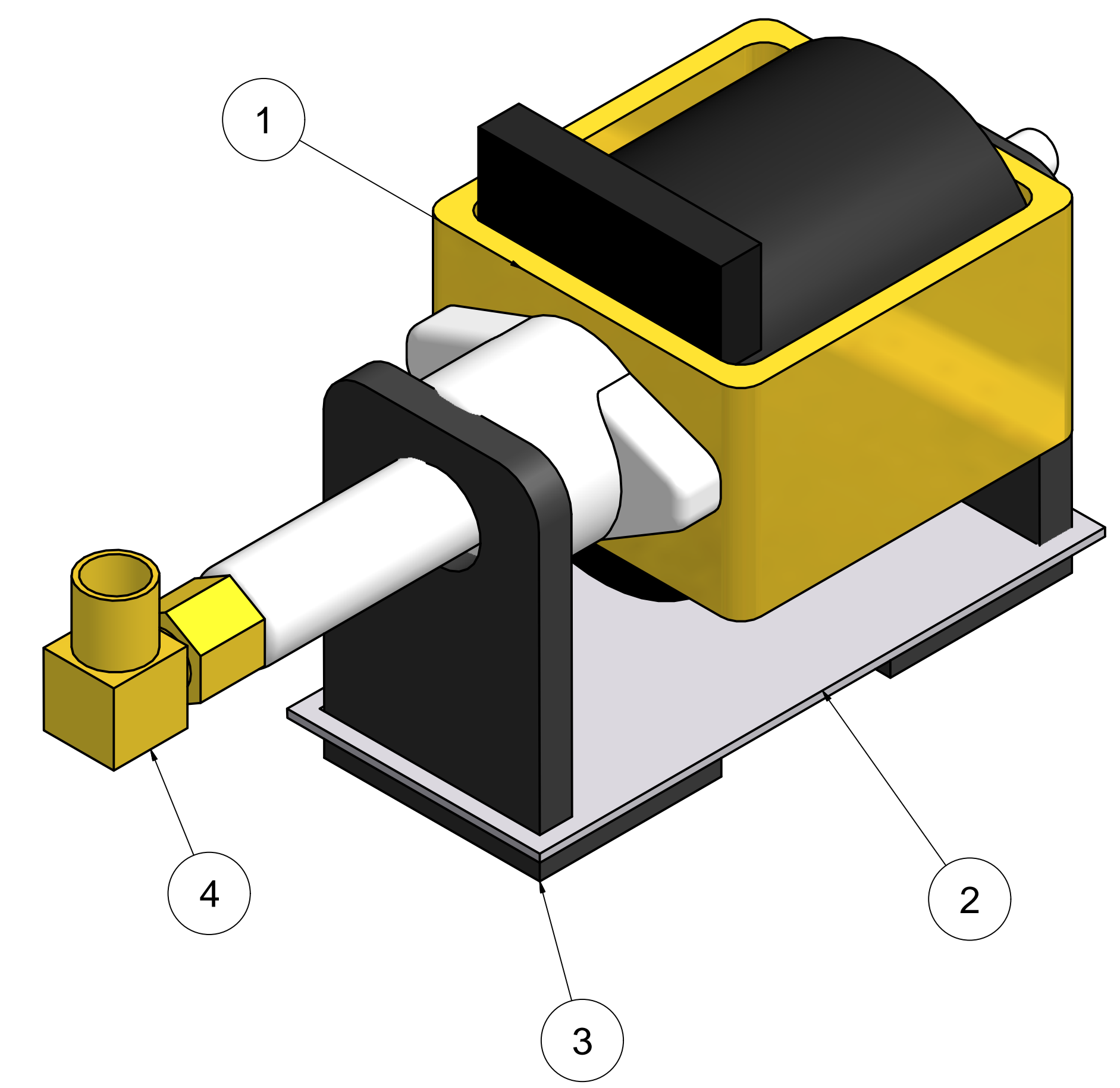
ITEM	QTY	SALES NUMBERS	DESCRIPTION
1	1		9D FOGGER CHASSIS BASE
2	1		9D FRONT PANEL OF CHASSIS
3	1		PFI 9D ALUMINUM BRACKET
4	1	CXP 3040	ILLUMINATED POWER SWITCH
5	1		GREY NEUTRIK BLACK MOUNT PLATE
6	1	CXP 1233	POWER/STAGE FOGGER FUSE HOLDER
7	1	CXP 1097 CXP 2012	15 AMP FUSE 1.25" - 110V 12 AMP FUSE 1.25" - 220V
8	1	CXP 4197	GREY NEUTRIK MALE CHASSIS POWER OUT
9	1	CXP 4261	"D" PLUG FOR 14/3 CABLE
10	1	CXP 1239	5" ALUMINUM HANDLE 9D/DRY ICER
11	1		JUG HOSE ASSEMBLY
12	1	CXP 1221	3/4" PLASTIC STRAIN RELIEF
13	2		1/2" STANDOFF
14	1	CXP 1675 CXP 1655	POWER/STAGE FOGGER PCB 5-Pin 110V REV. 7 2-LED POWER/STAGE FOGGER PCB 5-Pin 220V REV. 7 2-LED
15	4		#6-32 LOCK NUT
16	2		1/8 X 1/2" AL RIVET B/O
17	1	CXP 2475	HEATER TRIAC
18	1	CXP 1222	1/2" LOCK NUT CONDUIT
19	1	CXP 1222	1/2" PLASTIC STRAIN RELIEF
20	2		#6-32 X 1/2" PAN PHILLIPS SCREW B/O
21	2		1/4" FLAT WASHER
22	5	CXP 4255	1/4" LOCK WASHER
23	1		1/4" EXTERNAL TOOTH LOCK WASHER
24	6		1/4" X 3/4" HEX BOLT GRADE 5
25	2		#8 EXTERNAL TOOTH STAR WASHER
26	1		# 8/32 X 3/4" PAN PHILLIPS HEAD B/O
27	4		8/32 STANDARD NUT
28	2		RIVETS - 3/16" X 3/8"
29	1	CXP 4070	9D BLOCK 110V REV. 1 BULB/CAPILLARY
30	1		HOLE PLUG PFI 9D
31	1	CXP 1237	9D FOGGER CHASSIS LID NEW STYLE
32	4	CXP 1232	9D FOGGER CHASSIS PLASTIC SLIDES
33	6		#8-32 X 1/2 PAN BOLT
34	6	CXP 1236	8/32" NILON LOCK NUT
35	20	CXP 1272	# 8 X 1/2" SELF TAPPING SCREW B/O
36	6		#4 X 1/2 PAN PHILLIPS H-LOB/O
37	1	CXP 6040	14/36 POWER CORD W/3 PRONG
38	4	CXP 2436	MACHINE FEET - SET OF 4
39	4		AL RIVETS - 3/16" X 1/2"
40	1		PUMP ASSEMBLY

REVISION HISTORY	
REV-#	DATE
A	20/09/2016

JUG HOSE ASSEMBLY



PUMP ASSEMBLY



PARTS LIST			
ITEM	QTY	SALES NUMBERS	DESCRIPTION
1	1.524 M 5.000 LF (Linear foot)	CXP 1216	1/4 ID BLACK PVC INDUSTRIAL HOSE
2	1	CXP 2060	5/8 S.S. INDUSTRIAL HOSE CLAMP
3	1	CXP 1221	3/4" PLASTIC STRAIN RELIEF
4	1		JUG CAPS WHITE (2LT / 4LT)
5	1	CXP 4290	INDUSTRIAL FILTER CHECK VALVE

PARTS LIST			
ITEM	QTY	SALES NUMBERS	DESCRIPTION
1	1	CXP 4148 CXP 4150	PUMP 110V PUMP 220V
2	1	CXP 4258	PUMP BRACKET FLAT
3	2	CXP 4258	ULKA NEW STYLE PUMP RUBBERS
4	1	CXP 2431	3/16 PUMP ELBOW MALE-NORTH AMERICAN