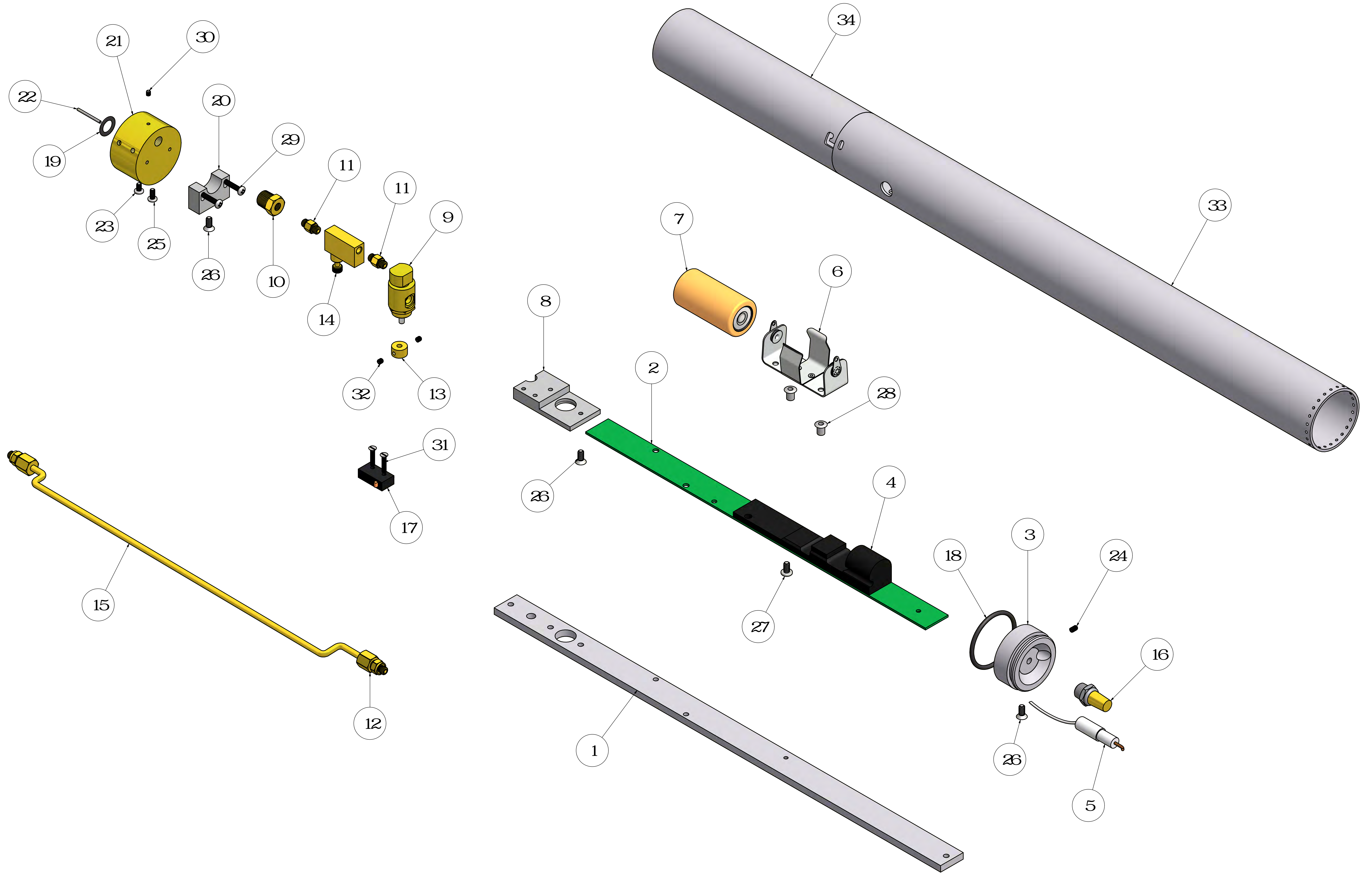
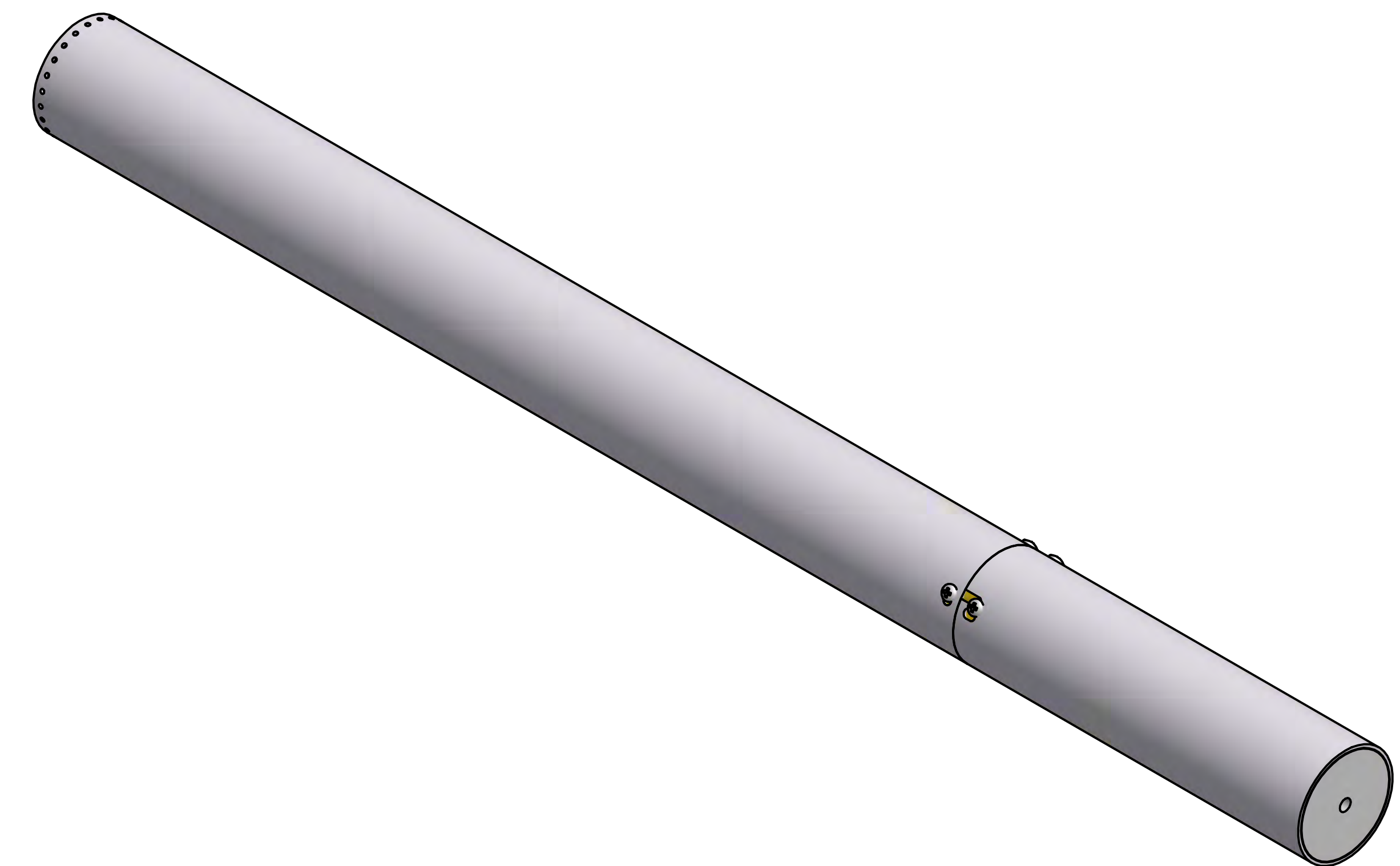


LE TORCIA



PARTS LIST

LE TORCIA



ITEM	QTY	SALES NUMBER	DESCRIPTION
1	1		LE TORCIA ALLMINUM BASE SPINE
2	1		PCB BOARD 12" X 12"
3	1	CXP 1208	LE TORCIA - ALLMINUM END CAP
4	1	CXP 1205	LE TORCIA - TRANSFORMER ASSEMBLY
5	1	CXP 1206	LE TORCIA - IGNITOR
6	1	CXP 1204	LE TORCIA - "C" BATTERY HOLDER
7	1		LE TORCIA - "C" BATTERY 1.5V
8	1		LE TORCIA - ALLMINUM MICROSWITCH BRACKET
9	1	CXP 1203	LE TORCIA - PUSHBUTTON VALVE
10	1	CXP 1220	LE TORCIA 10/32 FEMALE X 1/8 NPT MALE BRASS
11	2	CXP 1230	LE TORCIA 10/32 MALE X 10/32 MALE BRASS
12	2	CXP 1235	LE TORCIA 10/32 MALE X 1/8 COMPRESSION BRASS
13	1	CXP 1210	LE TORCIA - FUEL PUSHBUTTON
14	1	CXP 1202	LE TORCIA - FLOW CONTROL VALVE
15	1	CXP 1209	LE TORCIA - 1/8 COPPER TUBE W/ NUTS
16	1	CXP 1207	LE TORCIA - BRASS STONE
17	1	CXP 1211	LE TORCIA - BUTANE TORCH MICROSWITCH
18	1	CXP 1291	LE TORCIA - ALLMINUM CAP O-RING
19	1	CXP 1212	LE TORCIA - THREADED BRASS END CAP ASSEMBLY
20	1		LE TORCIA MOUNTING BRACKET
21	1	CXP 1212	LE TORCIA - THREADED BRASS END CAP ASSEMBLY
22	1	CXP 1212	LE TORCIA - THREADED BRASS END CAP ASSEMBLY
23	3	CXP 1299	4-40' X 3/16' PAN PHIL SCREW B/O
24	1		4-40' X 3/16 SOCKET SET SCREW
25	3	CXP 1293	4-40' X 1/4" PAN PHILMS B/O
26	4		6-32' X 5/16' FLAT HEAD PHILIPMS. B/O
27	1		6-32' X 1/4" PHILIPS SCREW S.S.
28	2		RIVETS - 1/8' X 1/8'
29	2		4-40' X 1/2' MACHINE SCREW
30	1	CXP 1212	LE TORCIA - THREADED BRASS END CAP ASSEMBLY
31	2		#3-48 X 1/2 FASTENER
32	2		4-40 X 1/8' SOCKET SET SCREW
33	1	CXP 1289	LE TORCIA - ALLMINUM TUBE
34	1	CXP 1201	LE TORCIA FUEL CELL HOUSING

REVISION HISTORY	
REV-#	DATE
A	15/08/2017