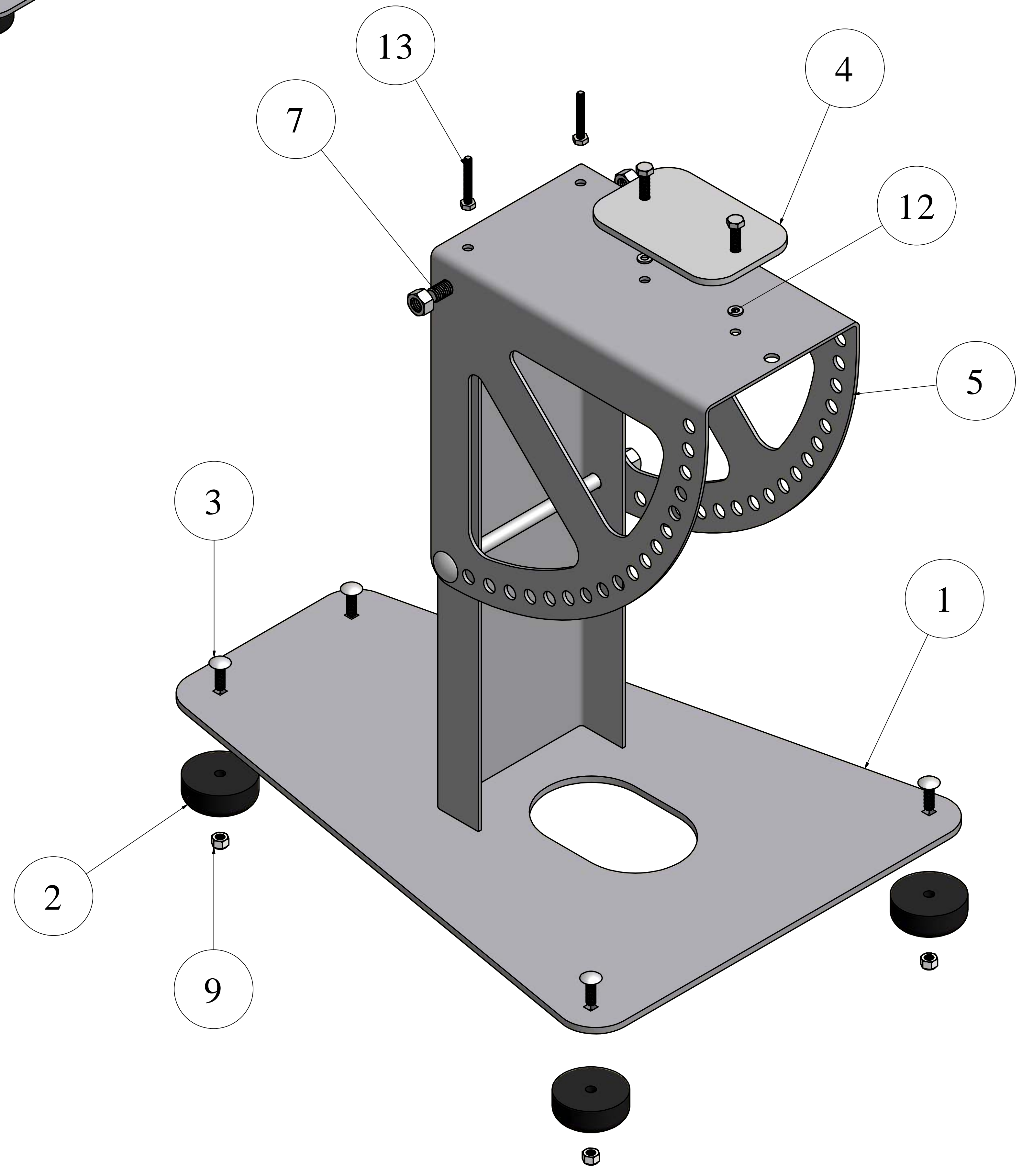
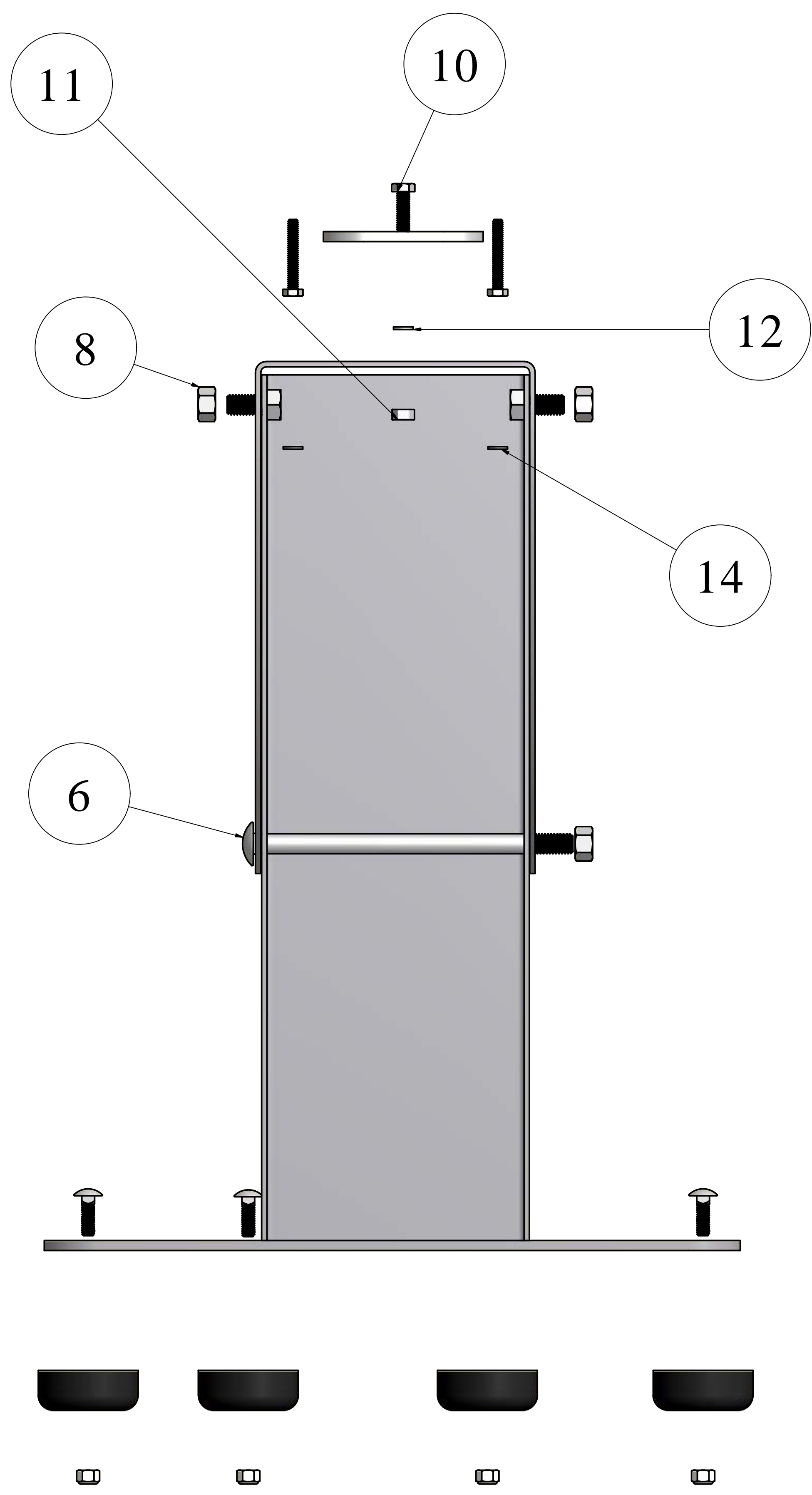
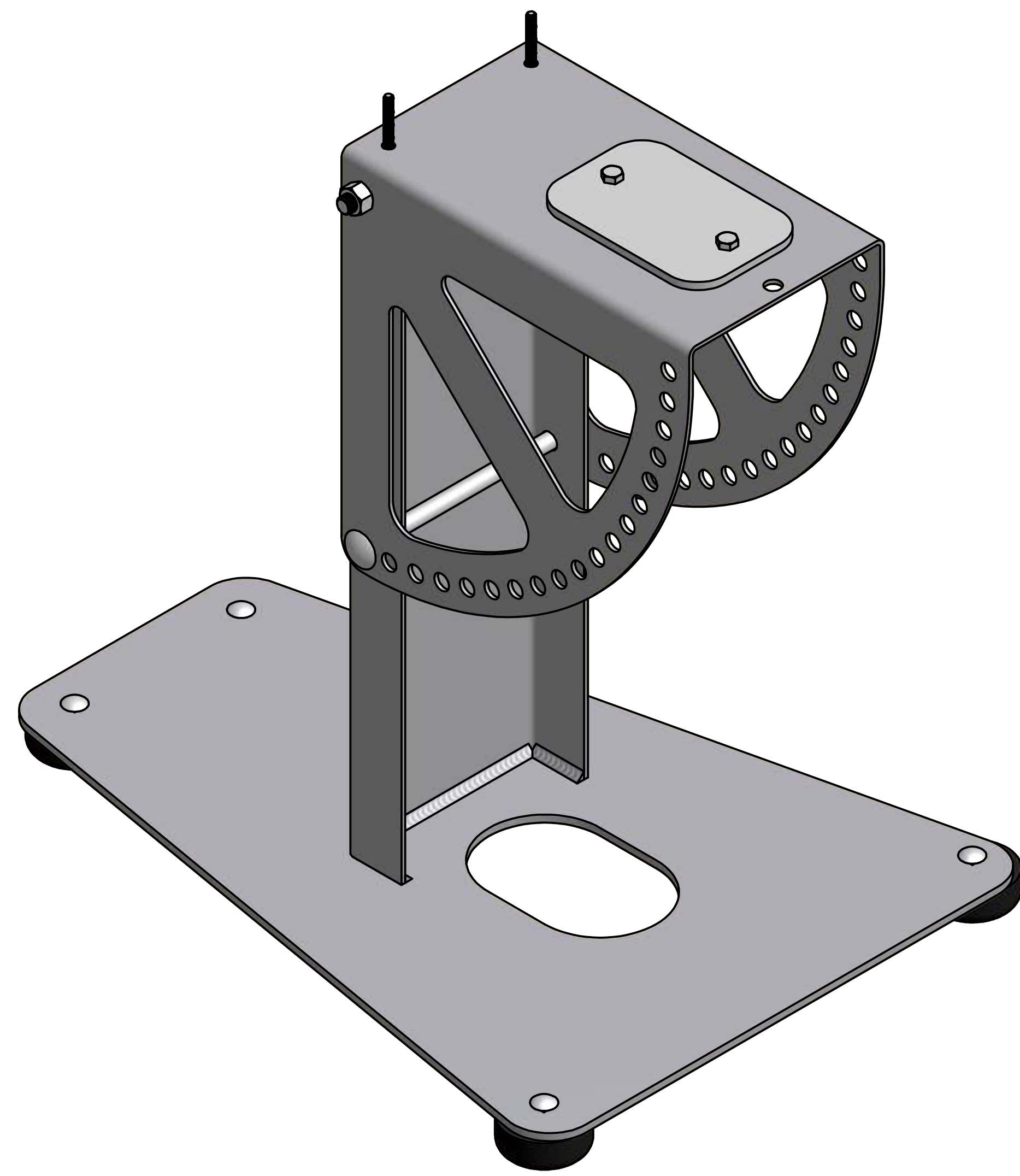
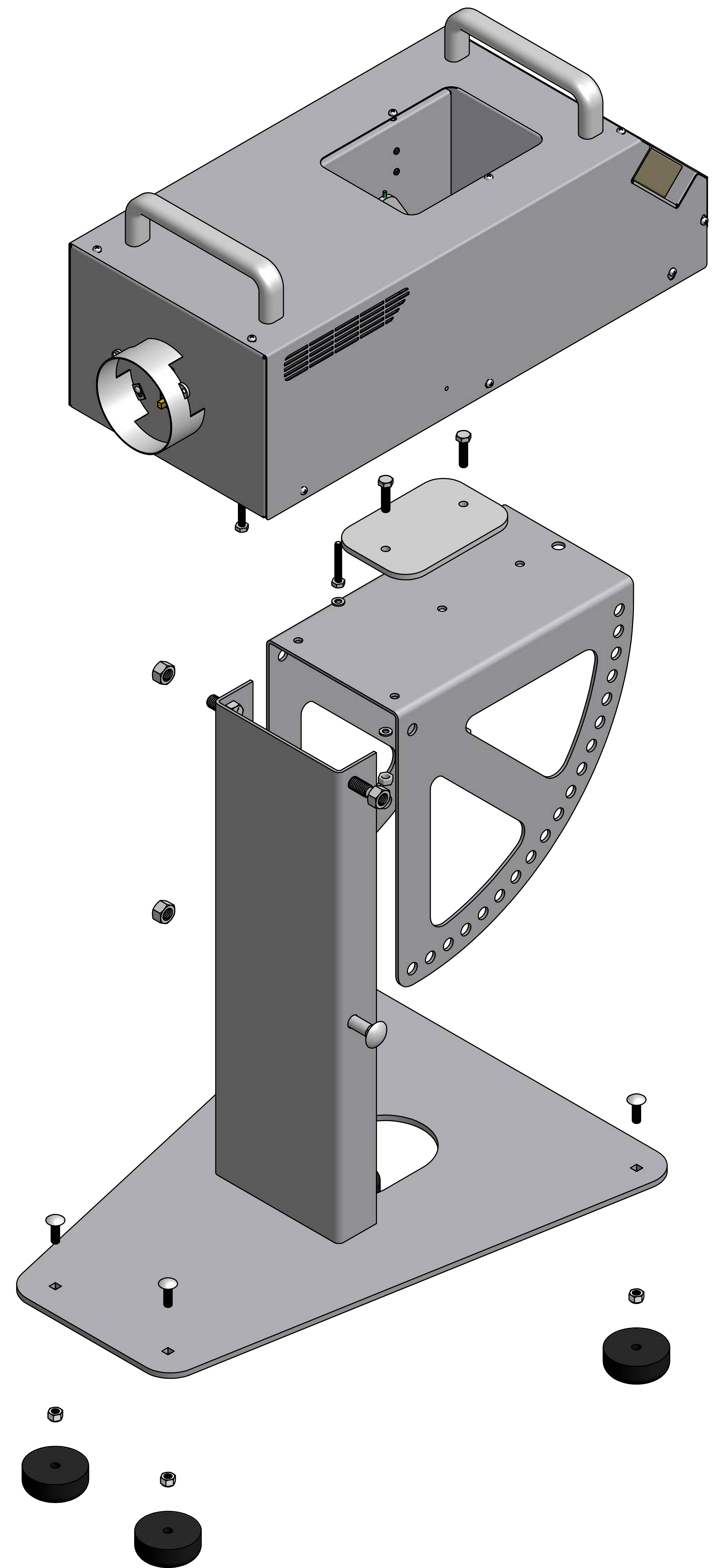
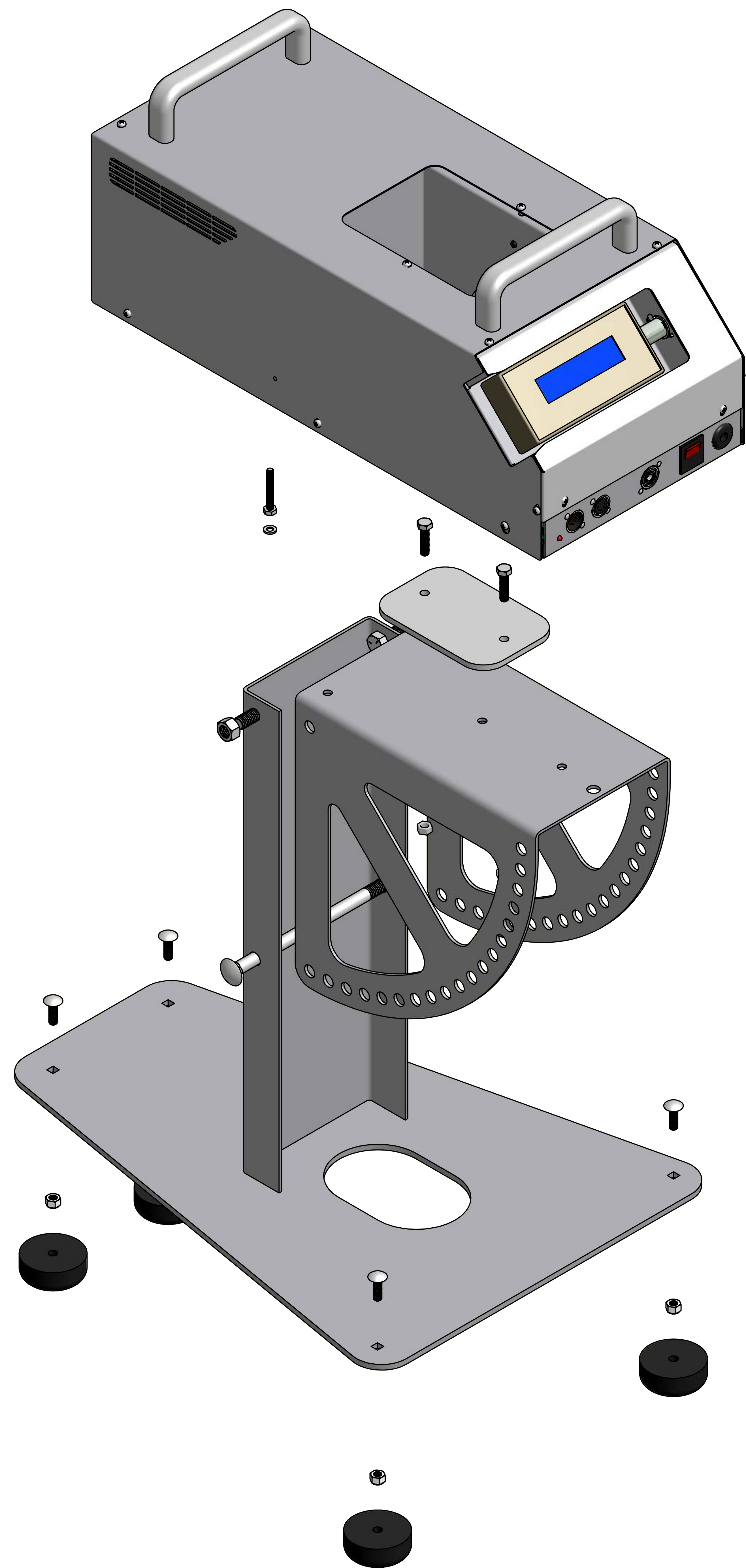


G3000 ADJUSTABLE STAND



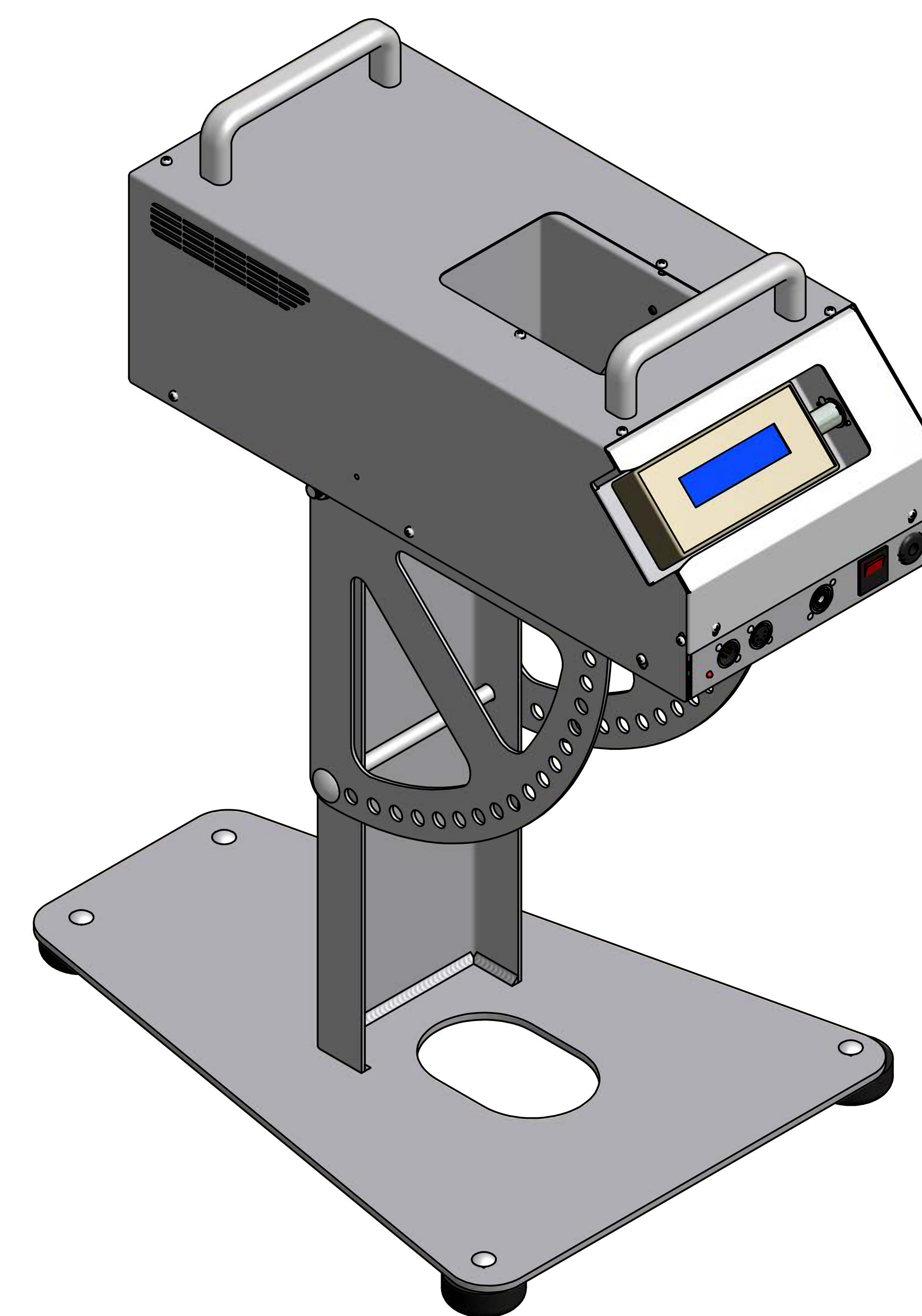
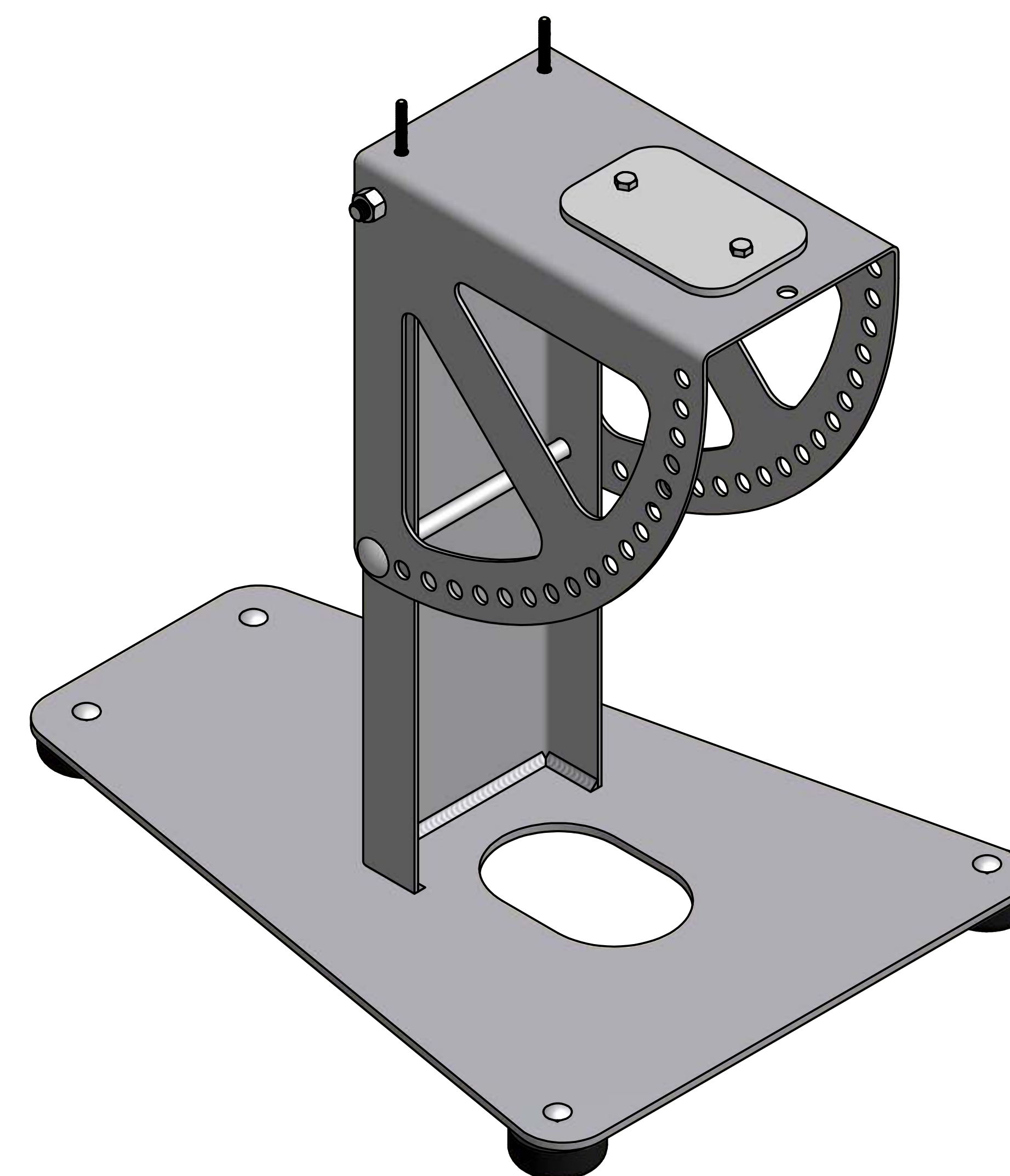
G3000 ADJUSTABLE STAND W / G3000



PARTS LIST



G3000 ADJUSTABLE STAND



ITEM	QTY	SALES NUMBER	DESCRIPTION
1	1		G3000 ADJUSTABLE STAND BASE WELD
2	4	CXP 1940	PRISM RUBBER FEET
3	4		5/16-18 X 1" CARRIAGE BOLT S.S.
4	1		G3000 ADJUSTABLE STAND BOLT PLATE
5	1		G3000 ADJUSTABLE STAND ROCKER
6	1		1/2 X 8" BOLT S.S
7	2		1/2 X 1" HEX BOLT
8	3		1/2" S.S. NYLOCK HEX NUT
9	4		5/16" NYLON LOCK NUT
10	2		5/16" X 1-1/4" HEX BOLT
11	2		5/16" HEX NUT
12	2		LOCK WASHER - 5/16"
13	2		1/4 X 1-3/4 HEX BOLT ZINC
14	2	CXP 4255	1/4" LOCK WASHER

REVISION HISTORY	
REV-#	DATE
A	13/09/2016