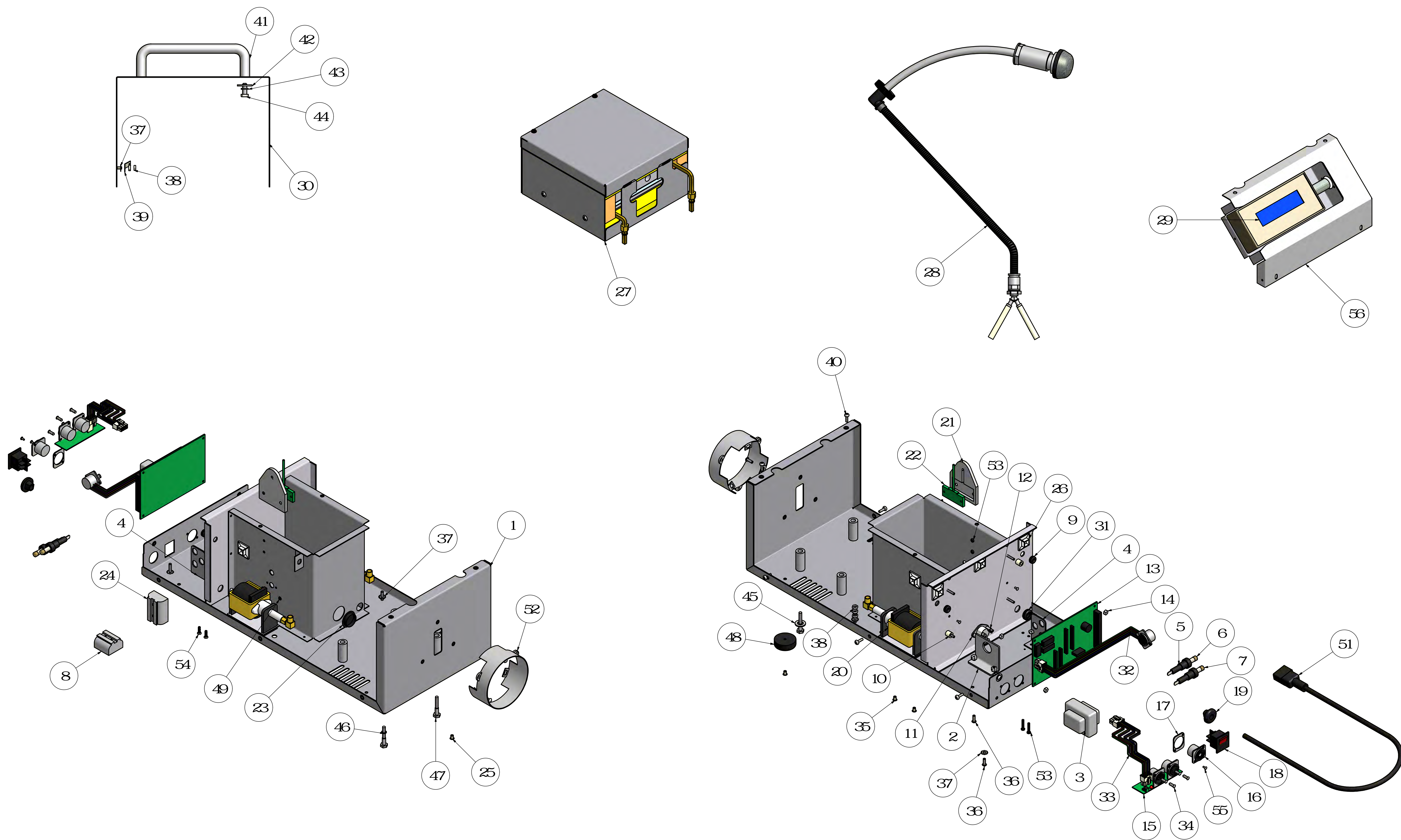
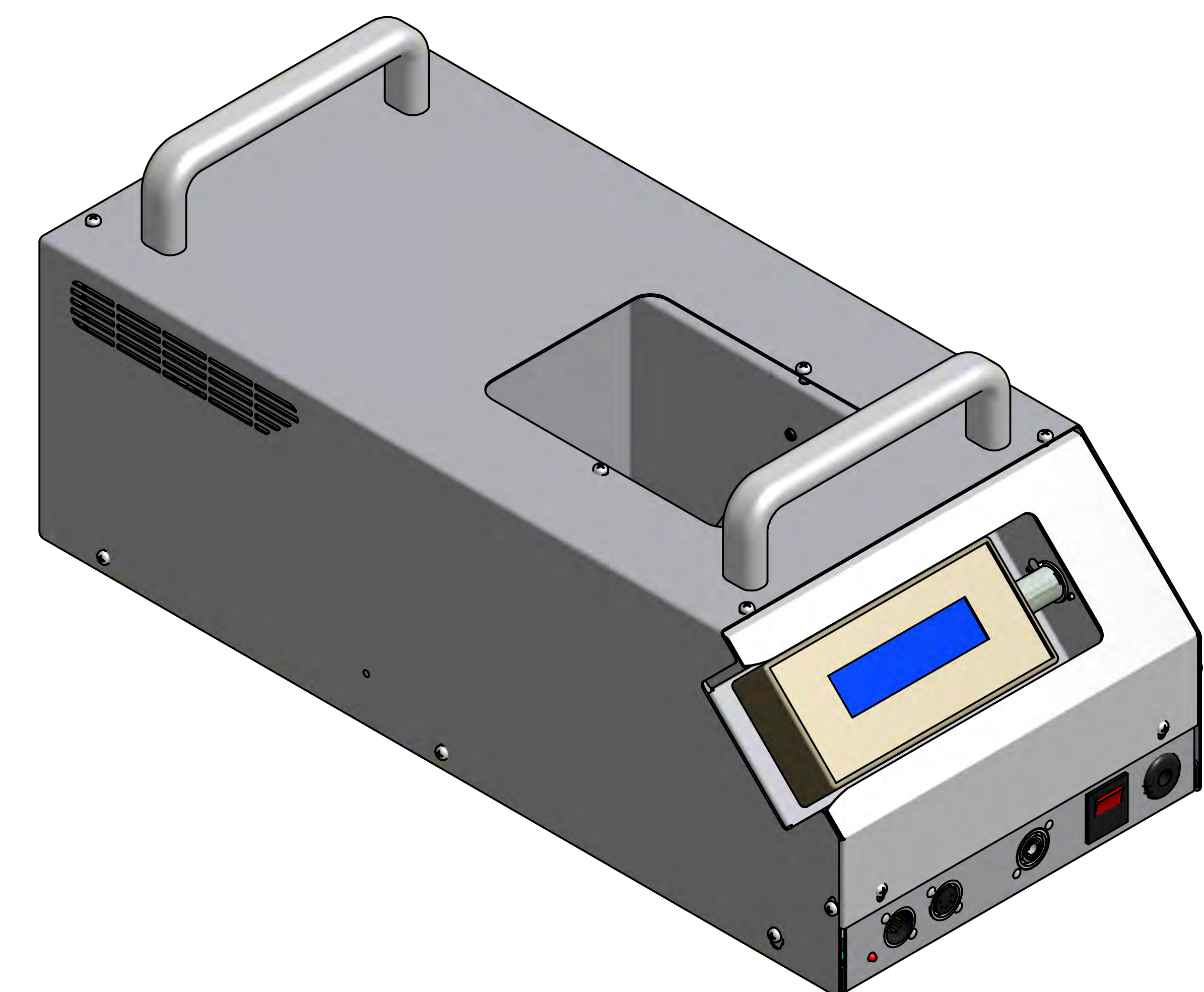
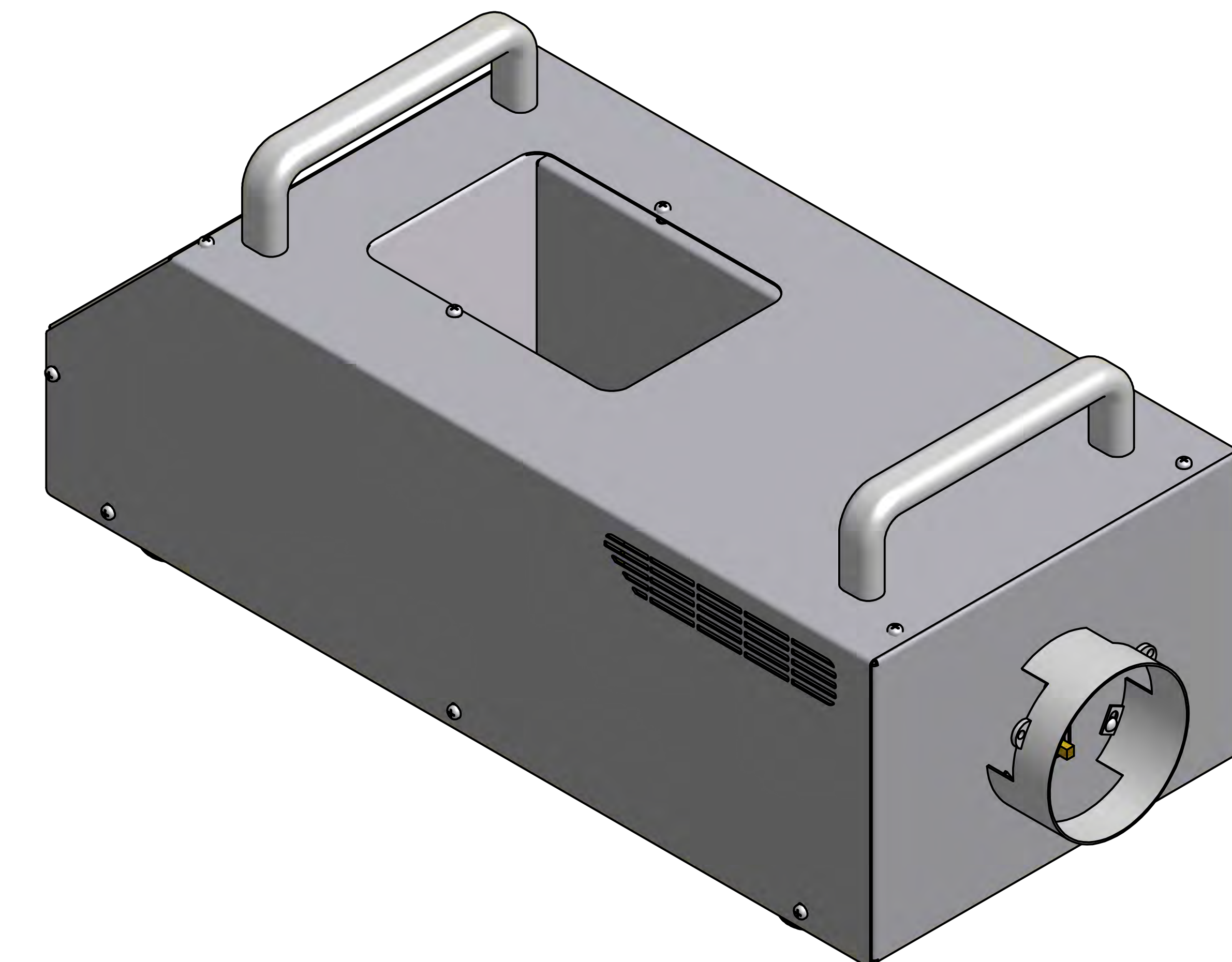


G3000 FOG MACHINE 110V W / DIGITAL REMOTE

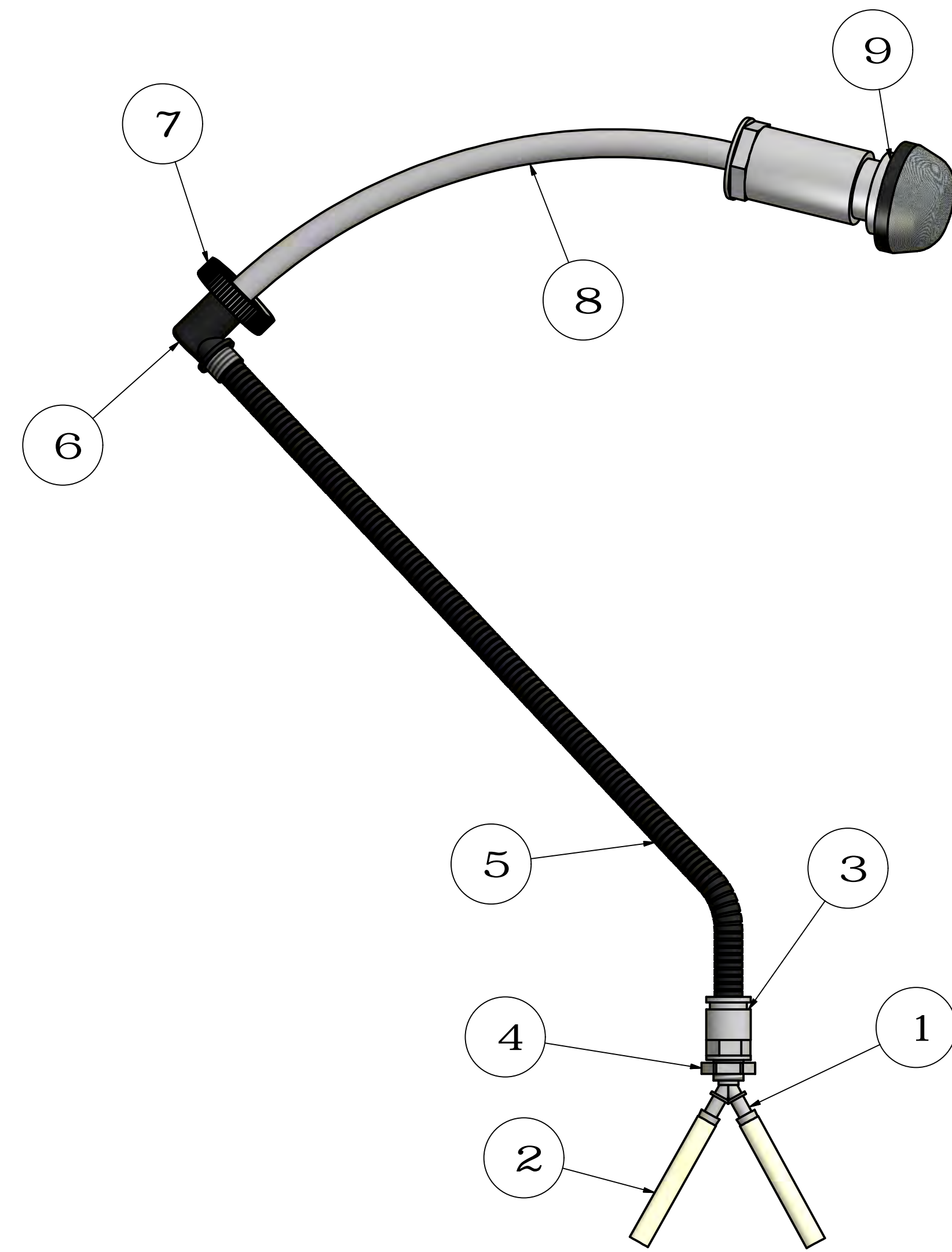


G3000 FOG MACHINE 110V W /DIGITAL REMOTE

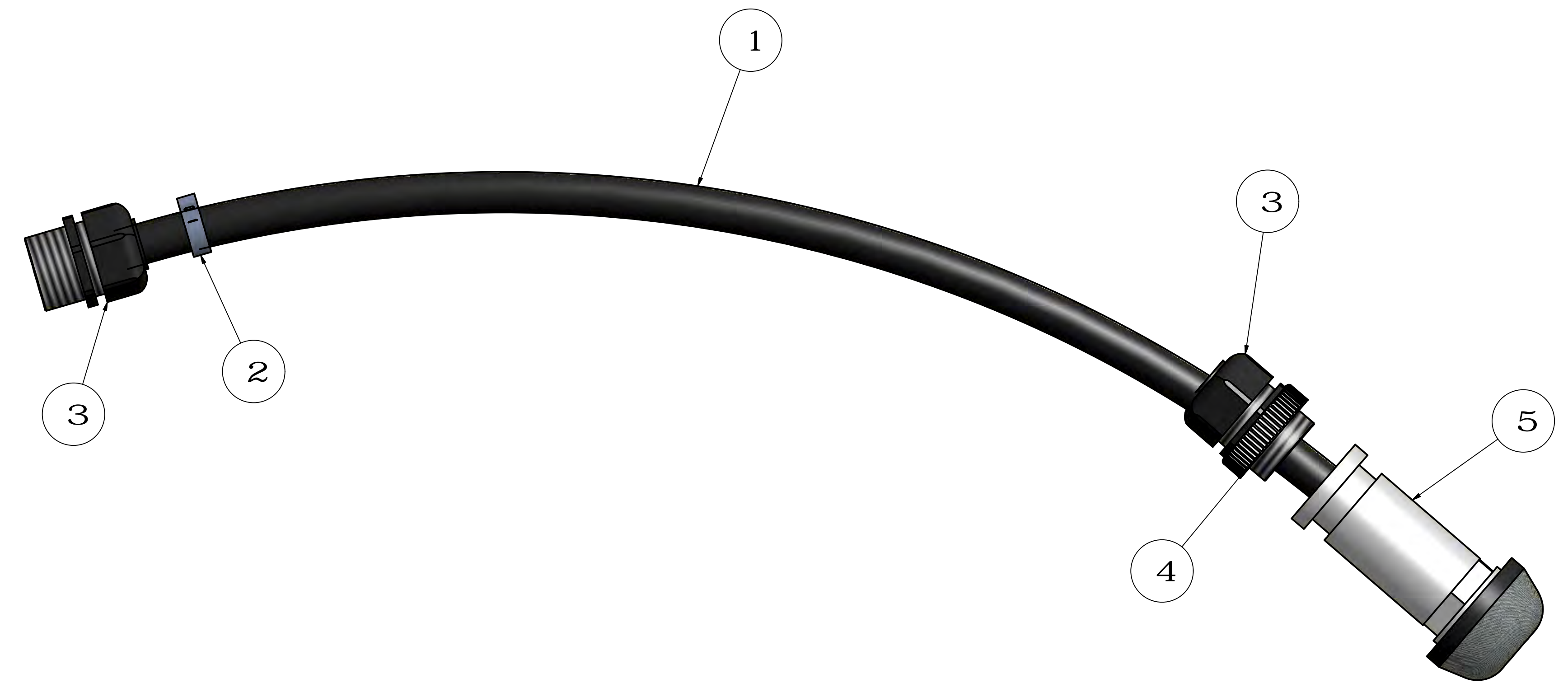


PARTS LIST			
ITEM	QTY	SALES NUMBER	DESCRIPTION
1	1		G3000 CHASSIS BASE
2	1	CXP 4232	G3000 TRANSFORMER BRACKET
3	1	CXP 4218	G3000 TRANSFORMER 110V
4	1	CXP 4228	G3000 TRANSFORMER 220V
5	1		G3000 FUSE HOLDER BRACKET
6	2		TOUCHSAFE FUSE HOLDER
7	1	CXP 2010	0.5 AMP FUSE 1.25"
8	1	CXP 4222	G3000 FUSE 1/4 X 1-1/4 20 AMP
9	1	CXP 4217	3 POLE SPRING TERMINAL BLOCK
10	2	CXP 1288	1/4" HOLE GROMMET THIN
11	4		3/8" STANDOFF
12	1	CXP 2475	HEATER TRIAC
13	2		#6 X 3/8 BUTTITE SPACER G3000
14	1	CXP 4225	G3000 MAIN CONTROL BOARD
15	8		#6/32" LOCK NUT
16	1	CXP 4235	G3000 DMX BOARD
17	1	CXP 4197	GREY NEUTRIK MALE CHASSIS POWER COT
18	1		GREY NEUTRIK BLACK MOUNT PLATE
19	1	CXP 3040	ILLUMINATED POWER SWITCH
20	1	CXP 4276	G3000 "D" PLUG FOR 12 AWG CABLE
21	2	CXP 4148	PUMP ASSEMBLY - 110V
22	1	CXP 4252	G3000 FLUID SENSOR HOLDER
23	1	CXP 4242	G3000 FLUID SENSOR
24	1		HOLE PLUG FOR INDUSTRIAL
25	1	CXP 4219	G3000 POWER BLOCK 4 POLE
26	4	CXP 2075	ALUMINUM RIVETS - 3/16" X 3/4"
27	5		STICK ON WIRE HOLDER
28	1	CXP 4080	G3000 BLOCK 110V/220V REV. 1 BULB/CAPILLARY
29	1		JUG HOSE ASSEMBLY
30	1	CLF 3005	G3000 FOG MACHINE DIGITAL REMOTE ASSEMBLY
31	1	CXP 4236	G3000 CHASSIS LID
32	1		1/2" RUBBER GROMMET
33	1	CXP 4233	G3000 MAIN PCB WIRE HARNESS
34	1	CXP 4234	G3000 DMX PCB WIRE HARNESS
35	4		#4 X 1/2" PAN PHILIPS H-LOBO
36	4		3/16 X 3/8" RIVET B/O
37	6		#8-32 X 1/2 PAN BOLT
38	5		#8 STAR WASHER
39	11		8/32 STANDARD NUT
40	1	CXP 4257	G3000 FUSE CLIPS
41	16	CXP 4253	10-24 X 1/2" S.S. MACHINE SCREW B/O
42	2	CXP 4238	G3000 MACHINE HANDLE
43	4	CXP 1289	FLAT WASHER - 5/16"
44	4	CXP 4267	LOCK WASHER - 5/16"
45	4	CXP 4268	5/16 X 3/4 HEX BOLT
46	3	CXP 4255	LOCK WASHER - 1/4"
47	1		1/4" EXTERNAL TOOTH LOCK WASHER
48	4	CXP 4254	1/4" X 1-1/2" BOLT (BLOCK)
49	4	CXP 4223	RUBBER FEET G3000
50	2		#4-40 X 3/8" FLAT HEAD PHIL SCREW
51	2	CXP 1296	#8-32" NILON LOCK NUT
52	1	CXP 6000	12/3 POWER CABLE
53	1	CXP 1046	SHOW FOGGER HOSE ADAPTOR - 4"
54	4		#6/32 X 3/4" PAN PHIL SCREW B/O
55	2		#6/32 X 1/2" B/O
56	10		1/8 X 1/2" RIVET B/O
57	1	CXP 4249	G3000 REMOTE DOCK CHASSIS

JUG HOSE ASSEMBLY



INDUSTRIAL HOSE ASSEMBLY



PARTS LIST

ITEM	QTY	SALES NUMBER	DESCRIPTION
1	1	CXP 4243	G3000 1/4 X 1/4 PLASTIC WYE
2	2.500LF (Linear Foot) 0.762M	CXP 2476	1/4" SILICONE TUBE LF
3	1	CXP 4246	G3000 BLACK HOSE END STRAIGHT
4	2	CXP 4239	PLASTIC NUT
5	0.500M 1.6404 LF (Linear Foot)	CXP 4245	G3000 BLACK HOSE COVER LF
6	1	CXP 4247	G3000 BLACK HOSE 90° ANGLE HOSE END
7	1		JUG CAPS WHITE (2LT / 4LT)
8	2.500LF (Linear Foot) 0.762M		SILICONE HOSE 3/16 X 3/8 HOSE
9	1	CXP 4230	INDUSTRIAL FILTER CHECK VALVE

PARTS LIST

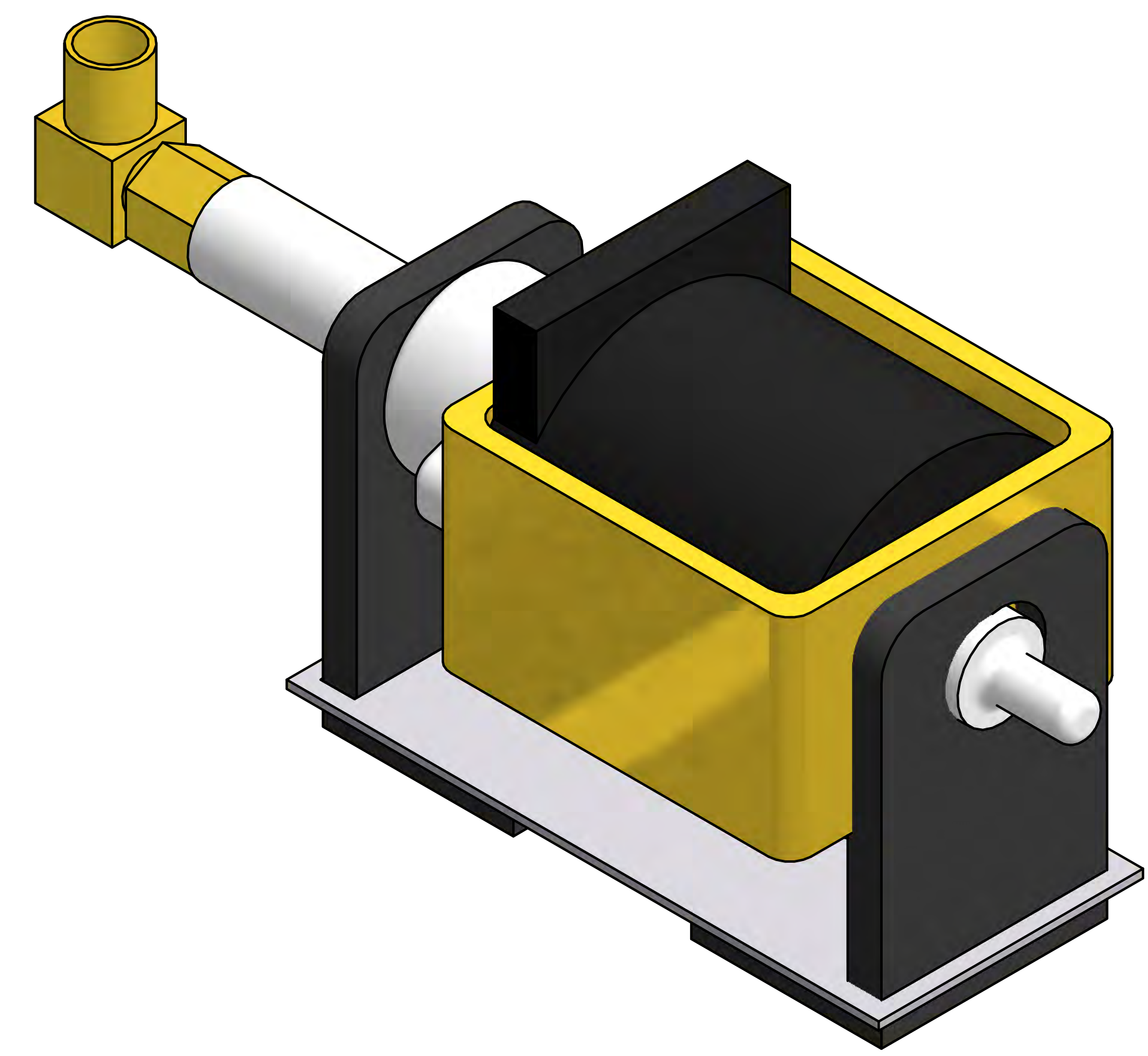
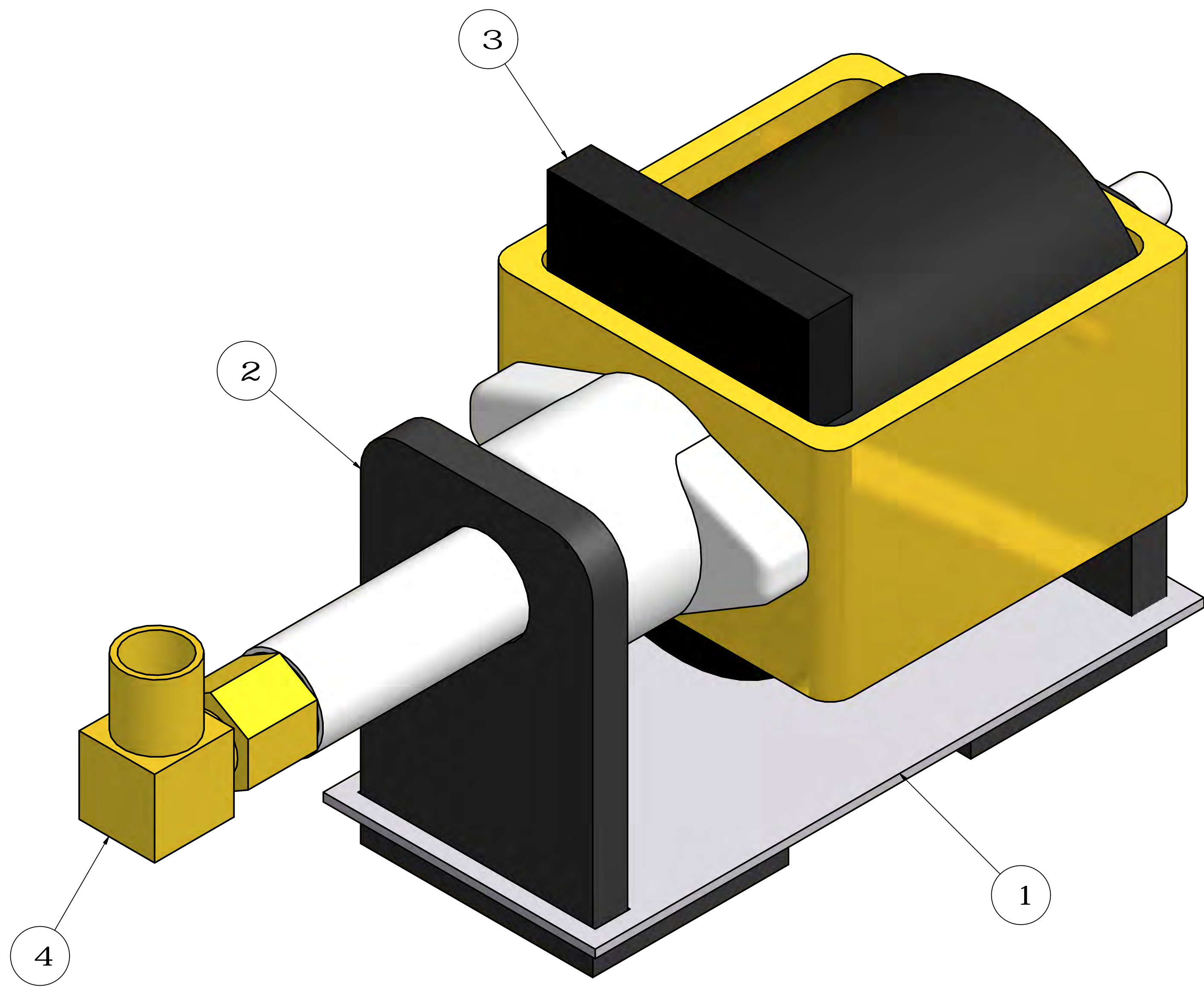
ITEM	QTY	SALES NUMBERS	DESCRIPTION
1	1.524M 5.000LF (Linear Foot)	CXP 1216	1/4ID BLACK PVC INDUSTRIAL HOSE
2	1	CXP 2030	5/8 S.S. INDUSTRIAL HOSE CLAMP
3	2	CXP 1221	3/4" PLASTIC STRAIN RELIEF
4	1		JUG CAP WHITE (2LT / 4LT)
5	1	CXP 4230	INDUSTRIAL FILTER CHECK VALVE

REVISION HISTORY

REV-#	DATE
B	13/09/2016



PUMP ASSEMBLY



PARTS LIST			
ITEM	QTY	SALES NUMBER	DESCRIPTION
1	1	CXP 4258	PUMP BRACKET FLAT
2	2	CXP 4258	NEW STYLE PUMP RUBBERS
3	1	CXP 4148	PUMP 110V
4	1	CXP 2431	3/16 PUMP ELBOW MALE - NORTH AMERICAN