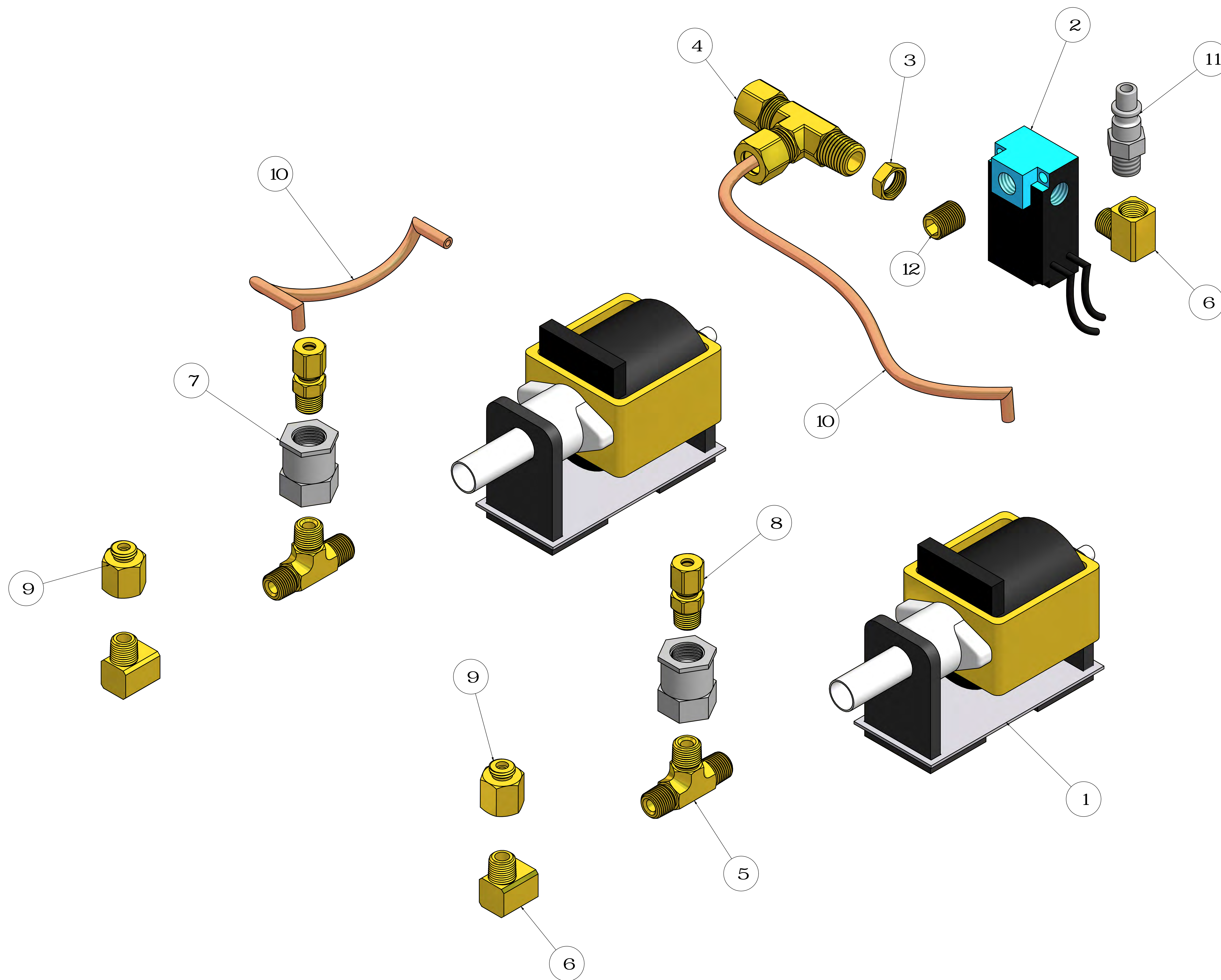


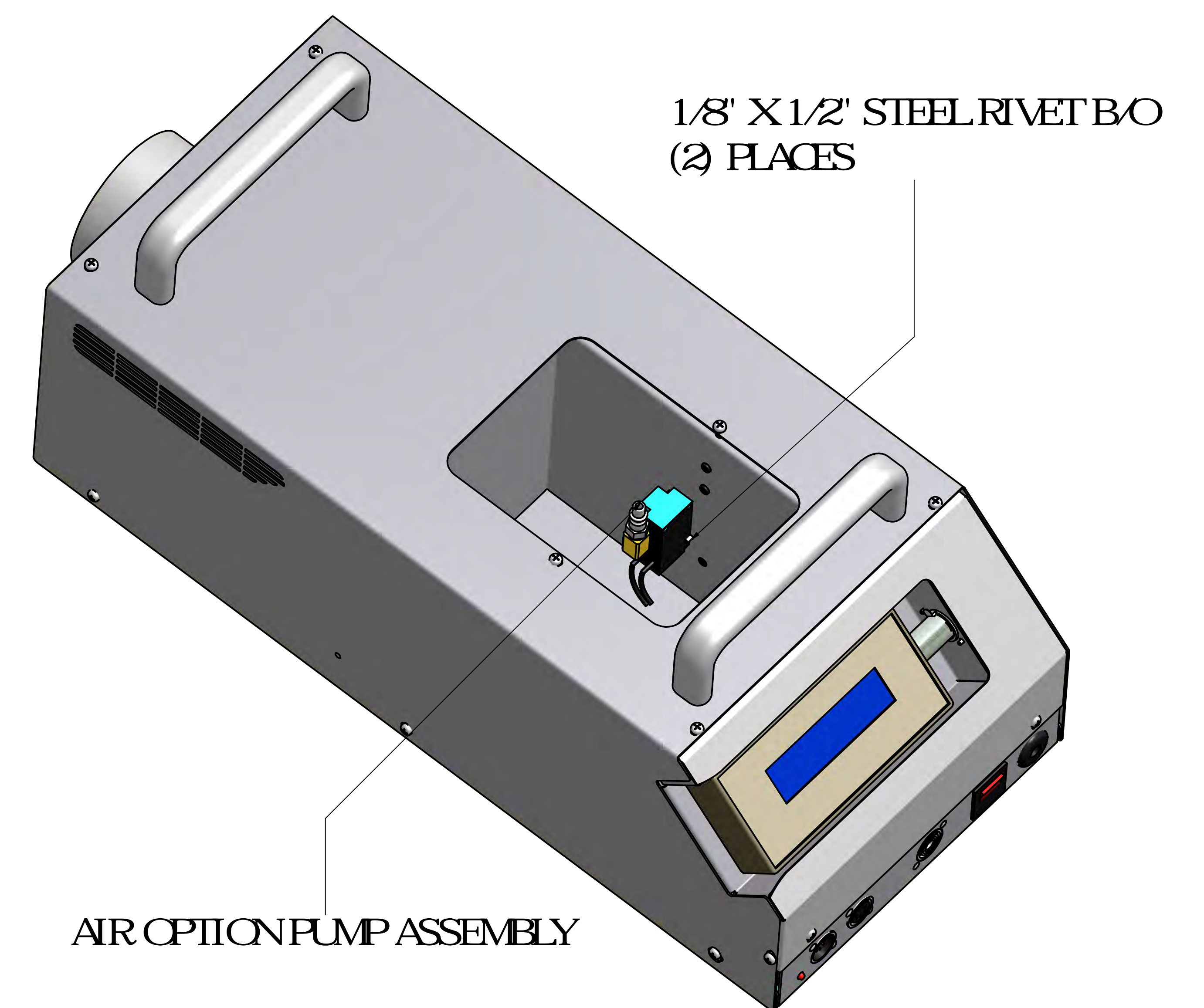
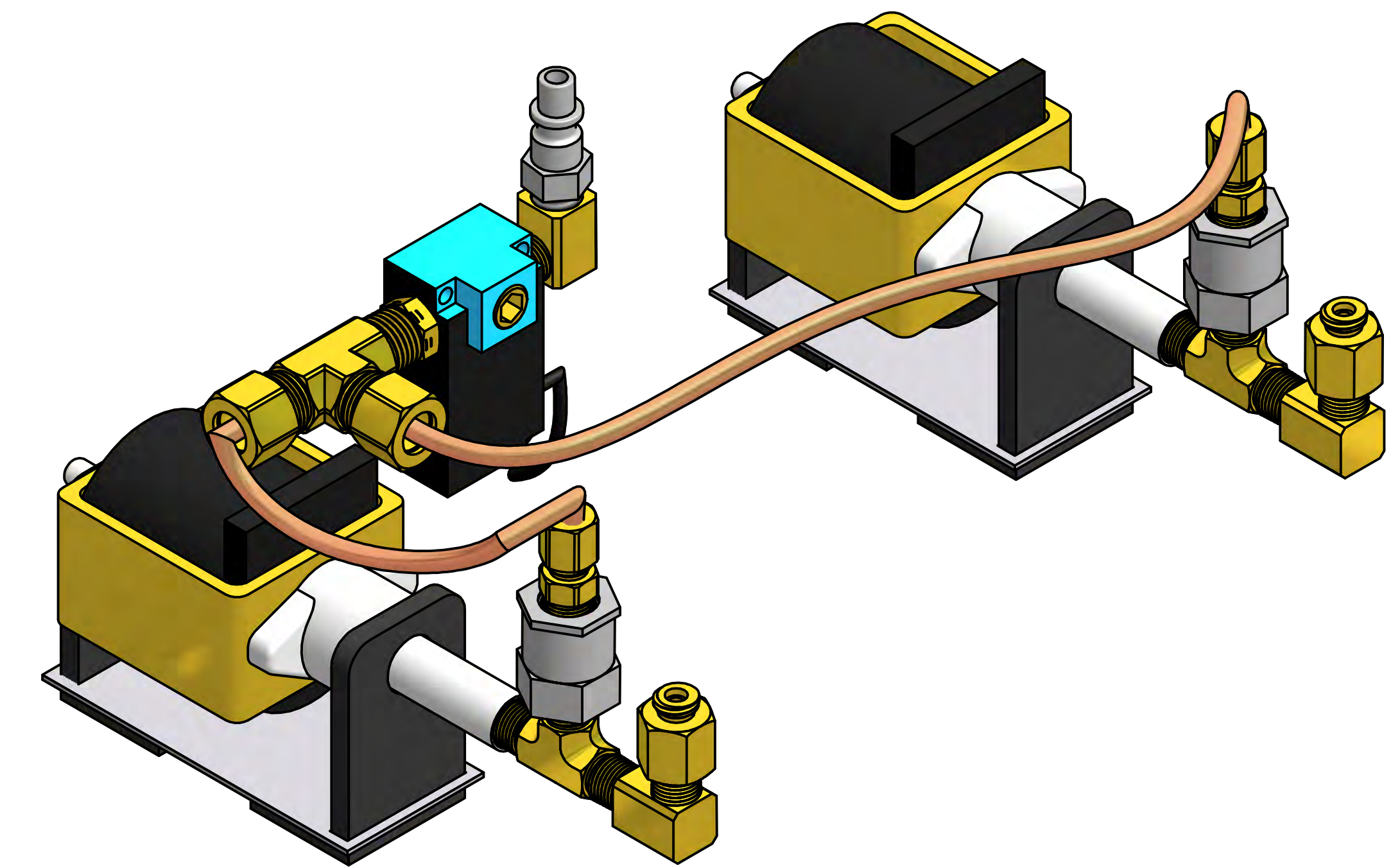
AIR OPTION PUMP ASSEMBLY



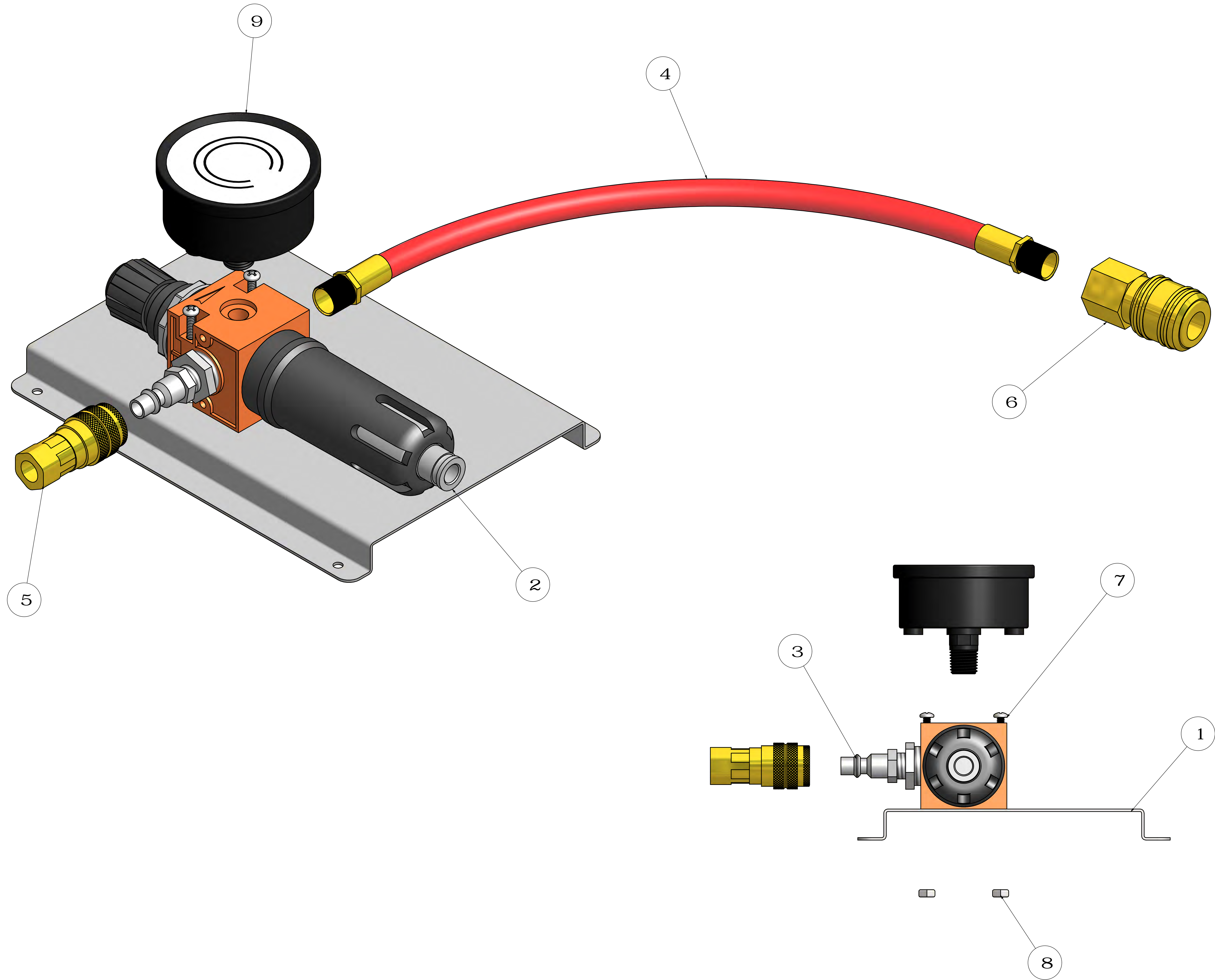
PARTS LIST

ITEM	QTY	SALES NUMBERS	DESCRIPTION
1	2		PUMP ASSEMBLY
2	1	CXP 1217 CXP 1287	SOLENOID VALVE 110V SOLENOID VALVE 220V
3	1		HANDY FOGGER LOCKNUT 1/8 NPT
4	1		BRASS TEE COMP. RUN 3/2 MP
5	2	CXP 1040	1/8" NPT BRASS TEE STEAMERS
6	3		FEMALE STREET ELBOW 90° 1/8 MP X 1/8 FP
7	2	CXP 1035	1/8 CHECK VALVE SHORT AIR OPTION
8	2		INLINE 1/8 PIPE X 3/16 COMP. MALE
9	2	CXP 1055	1/8 FEMALE NPT - 3/16 COMPRESSION
10	200LF (Linear Foot) Q609M	CXP 2438	3/16" COPPER TUBE
11	1		AIR MALE COUPLER
12	1		1/8 NPT HEX HEAD PLUG

AIR OPTION PUMP ASSEMBLY



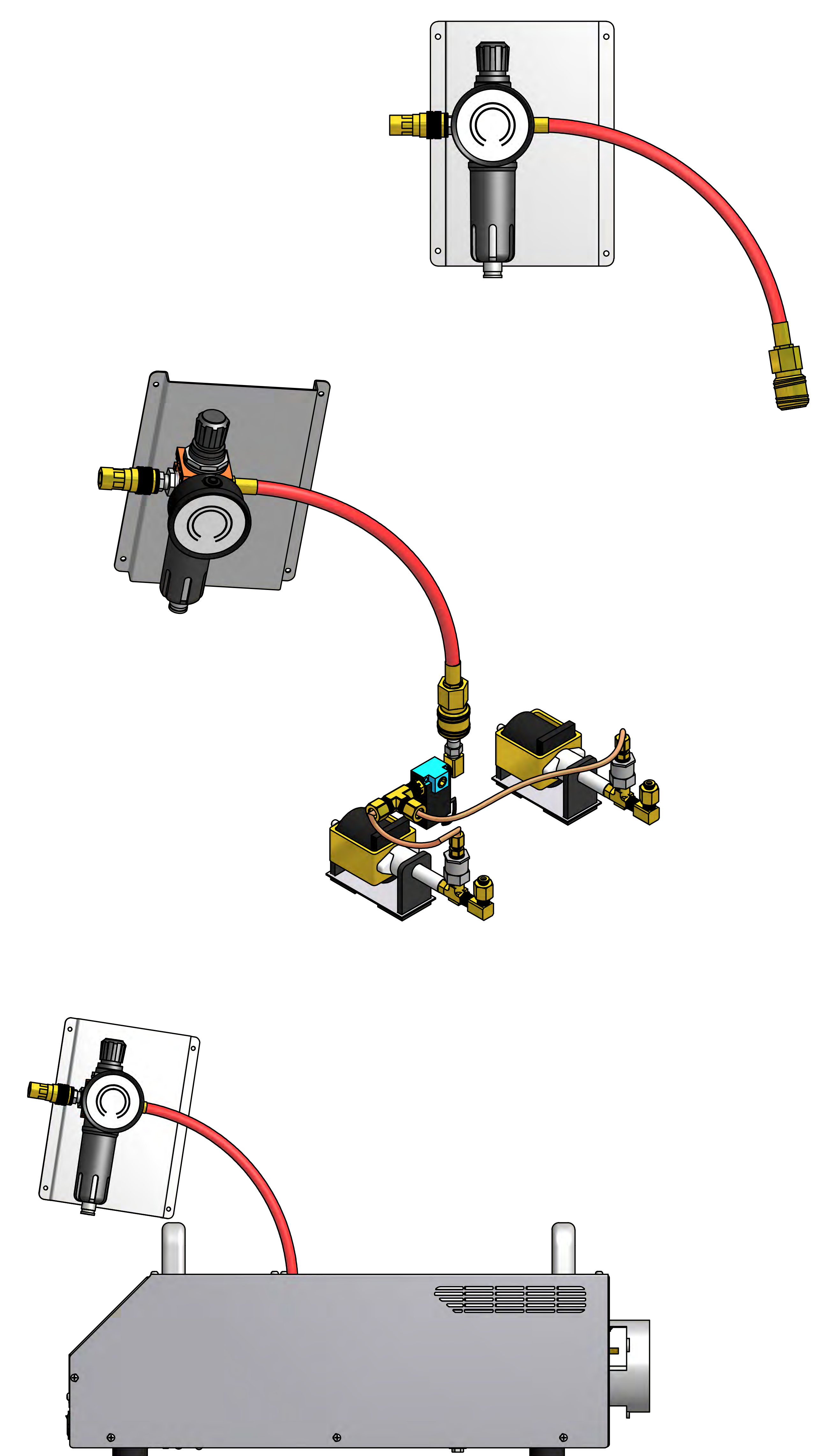
AIR OPTION REGULATOR ASSEMBLY



PARTS LIST

AIR OPTION REGULATOR ASSEMBLY

ITEM	QTY	SALES NUMBER	DESCRIPTION
1	1		STEAMER REGULATOR MOUNTING BRACKET
2	1	CXP 1038	STEAMER REGULATOR/FILTER FOR AIR OPTION
3	1	CXP 1238	1/4" AIR NIPPLE TO 1/4" MALE NPT AIR OPTION
4	1		1/4" X 10' AIR HOSE ASSEMBLY 1/4" MNPT (STEAMER)
5	1	CXP 1218	FEMALE AIR COUPLER
6	1		FEMALE AIR COUPLER NEWT
7	2		6/32 X 1 1/2 PAN HEAD SCREW
8	2		#6-32 LOCK NUT
9	1	CXP 1036	STEAMER PRESSURE GAUGE



REVISION HISTORY	
REV-#	DATE
A	04/01/2017