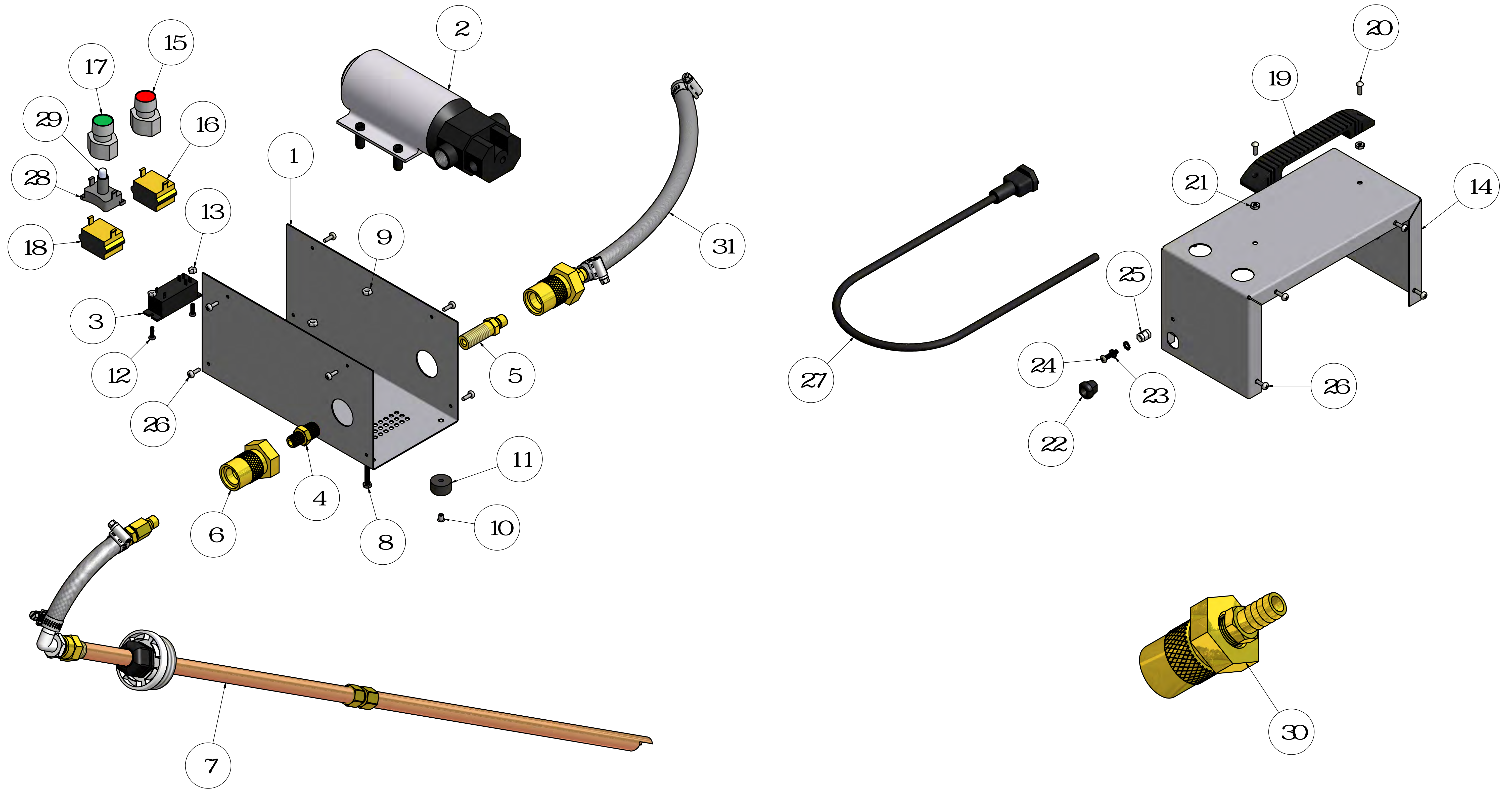


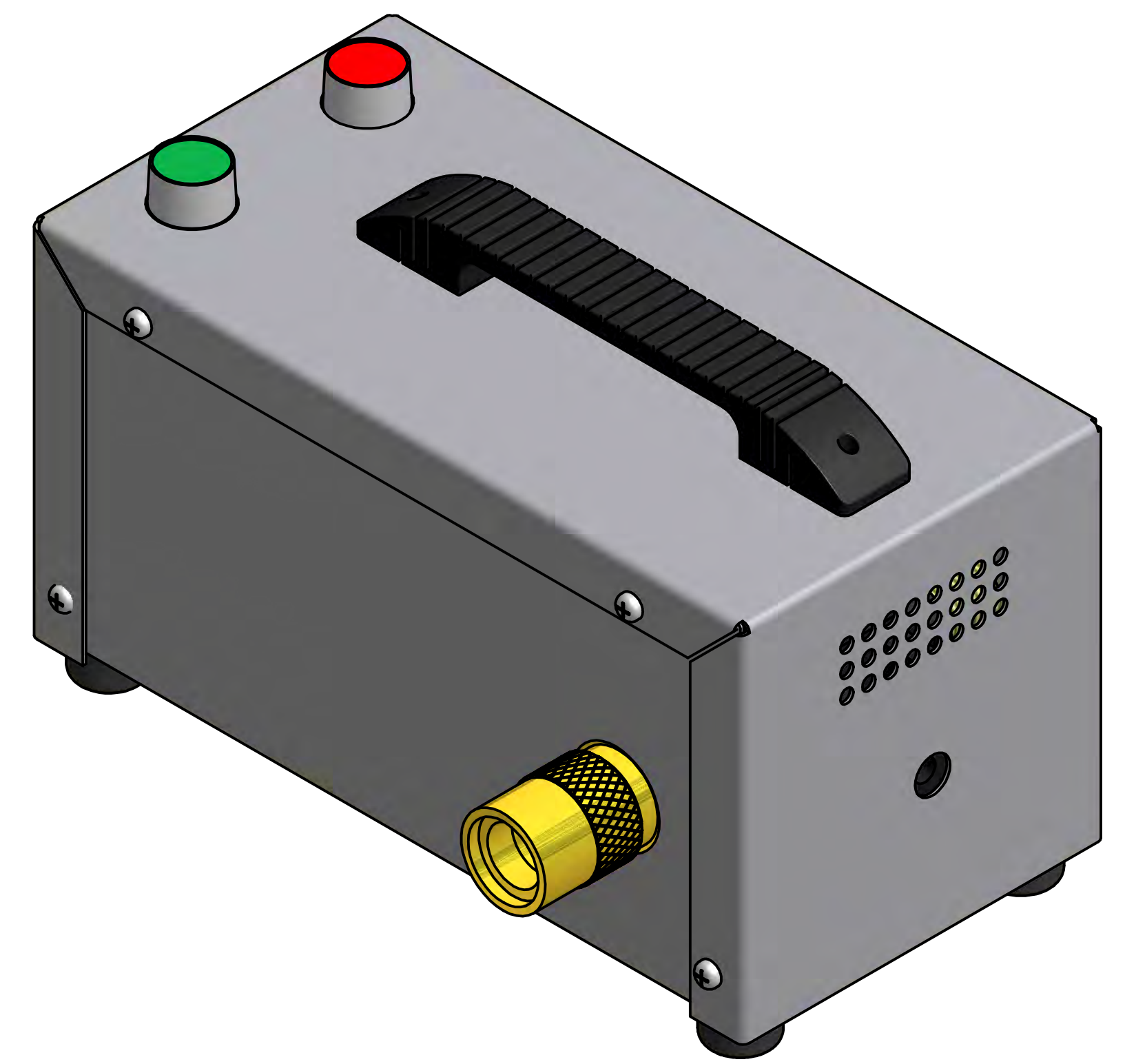
# FDS PUMP 110V



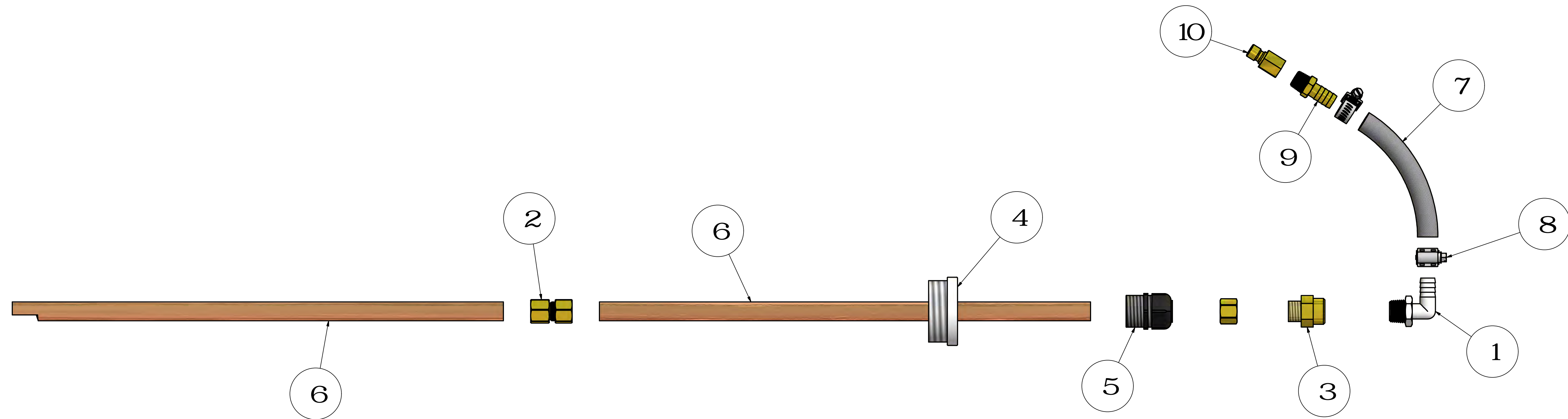
PARTS LIST

ITEM	QTY	SALES NUMBER	DESCRIPTION
1	1		FDS PUMP HOUSING BASE S.S.
2	1	CXP 4155	FDS PUMP 110V
3	1	CXP 3000	POWER RELAY (NEW THERMAL DISK)
4	1		3/8" NPT / 1/4" NPT BRASS REDUCER
5	1		QUICK COUPLE INPUT MALE
6	1	CXP 5010	FDS PUMP 3/8" MOLD COUPLING, 1/4" NPT UNVALVED
7	1		FDS PUMP SUCTION ASSEMBLY
8	4		#10-24 X 1-1/2" HEX FULL THREADED BLACK
9	4		#10-24 LOCK NUT
10	4		ALUMINUM RIVETS - 3/16" X 1/2"
11	4	CXP 2436	MACHINE FEET - SET OF 4
12	2		#6-32 X 1/2" PAN PHIL SCREW B/O
13	2		#6-32 LOCK NUT
14	1		FDS PUMP HOUSING LID S.S.
15	1	CXP 5006	FDS PUMP RED PUSH BUTTON ACTUATOR
16	1	CXP 5007	FDS PUMP RED PUSH BUTTON CONTACT BLOCK
17	1	CXP 5008	FDS PUMP GREEN PUSH BUTTON ACTUATOR
18	1	CXP 5009	FDS PUMP GREEN PUSH BUTTON CONTACT BLOCK
19	1	CXP 2400	MACHINE HANDLE
20	2		#8-32 X 1/2" PAN BOLT
21	2	CXP 1296	#8-32" NYLON LOCK NUT
22	1	CXP 4261	"D" PLUG FOR 14/3 CABLE
23	2		#8 EXTERNAL TOOTH STAR WASHER
24	1	CXP 1294	#8-32 X 3/4 PHILP PAN HEAD B/O
25	4		#8-32 STANDARD NUT
26	8	CXP 1272	#8 X 1/2" SELF TAPPING SCREW B/O
27	1	CXP 6040	14/3 6 POWER CORD W/3 PRONG
28	1	CXP 5011	FDS PUMP GREEN LAMP HOLDER
29	1	CXP 5013	FDS PUMP PUSH BUTTON LAMP
30	1	CXP 5015	FDS PUMP MOLD MATE QUICK COUPLE VALVE
31	1		FDS PUMP FEED HOSE ASSEMBLY

FDS PUMP 110V



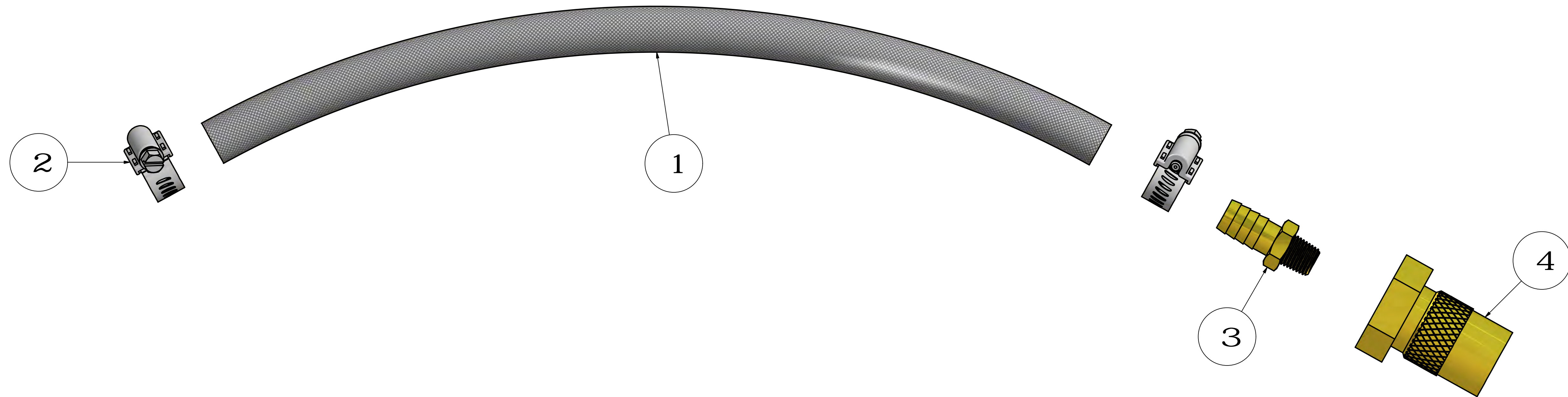
# FDS PUMP SUCTION ASSEMBLY



## PARTS LIST

ITEM	QTY	SALES NUMBER	DESCRIPTION
1	1		1/2" NPT 90° PLASTIC ELBOW/BARB
2	1		1/2" COMPRESSION FITTING
3	1		1/2" COMPRESSION FITTING/FEMALE REDUCER
4	1		2 BUTTRESS PLUGS (COARSE)
5	1	CXP 1221	3/4" PLASTIC STRAIN RELIEF
6	3000 LF (Linear Foot)		1/2" COPPER PIPE
	Q9144M		
7	5000 FT		1/2" I.D. CLEAR BRAIDED HOSE
	1.524 M	CXP 5002	
8	2		3/4 HOSE CLAMP
9	1		1/2 BARB X 3/8 NPT
10	1	CXP 5012	FDS PUMP 3/8 MOLD NIPPLE, 3/8 NPT IF BRASS

# FDS PUMP FEED HOSE ASSEMBLY



## PARTS LIST

ITEM	QTY	SALES NUMBER	DESCRIPTION
1	5000FT 1.524M	CXP 5002	1/2' I.D. CLEAR BRAIDED HOSE
2	2		3/4 HOSE CLAMP
3	1		1/4 NPT MALE - 1/2 BARB BRASS
4	1	CXP 5010	FDS PUMP 3/8 MOLD COUPLING, 1/4 NPT UNVALVED

### REVISION HISTORY

REV-#	DATE
A	20/09/2017