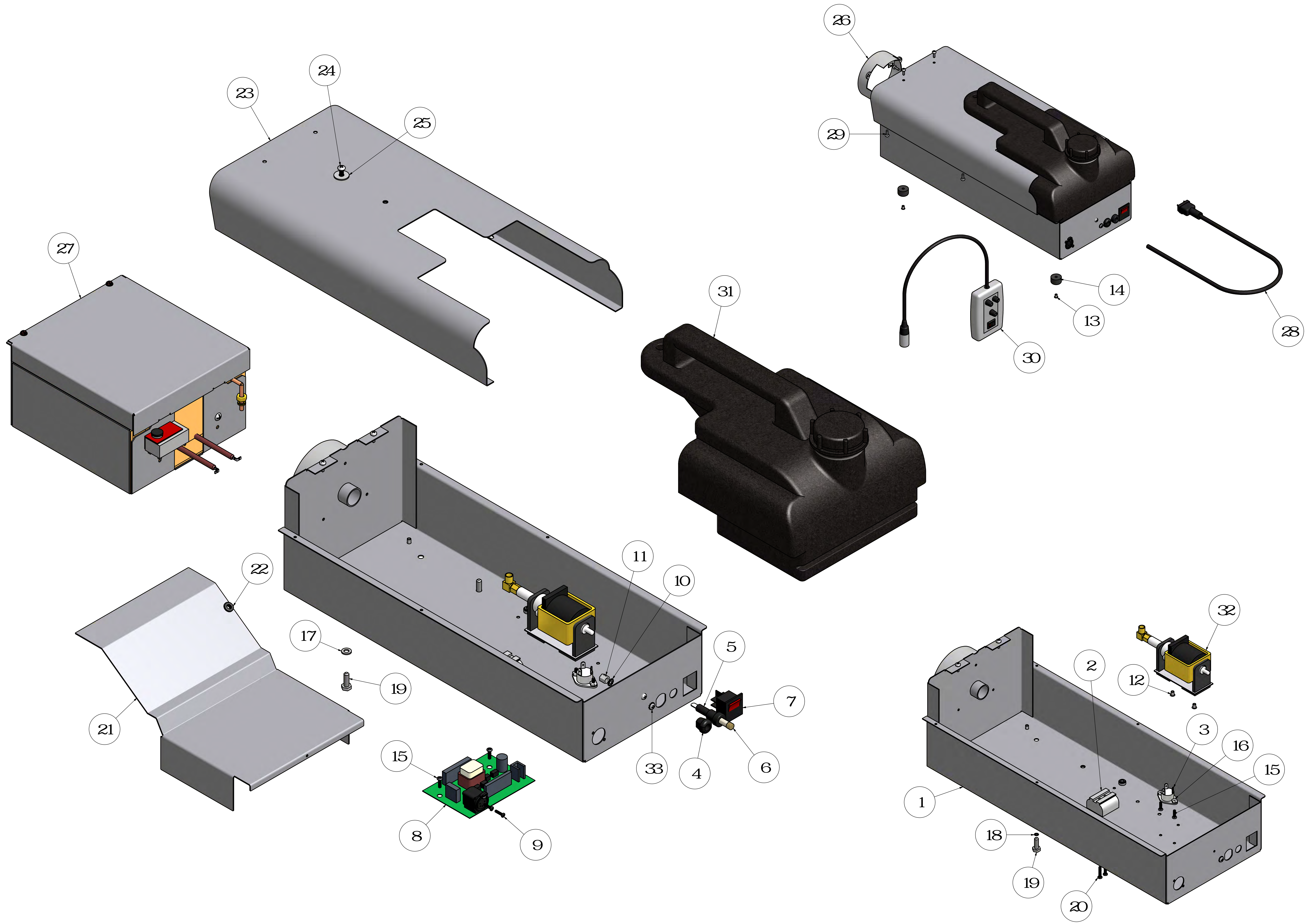
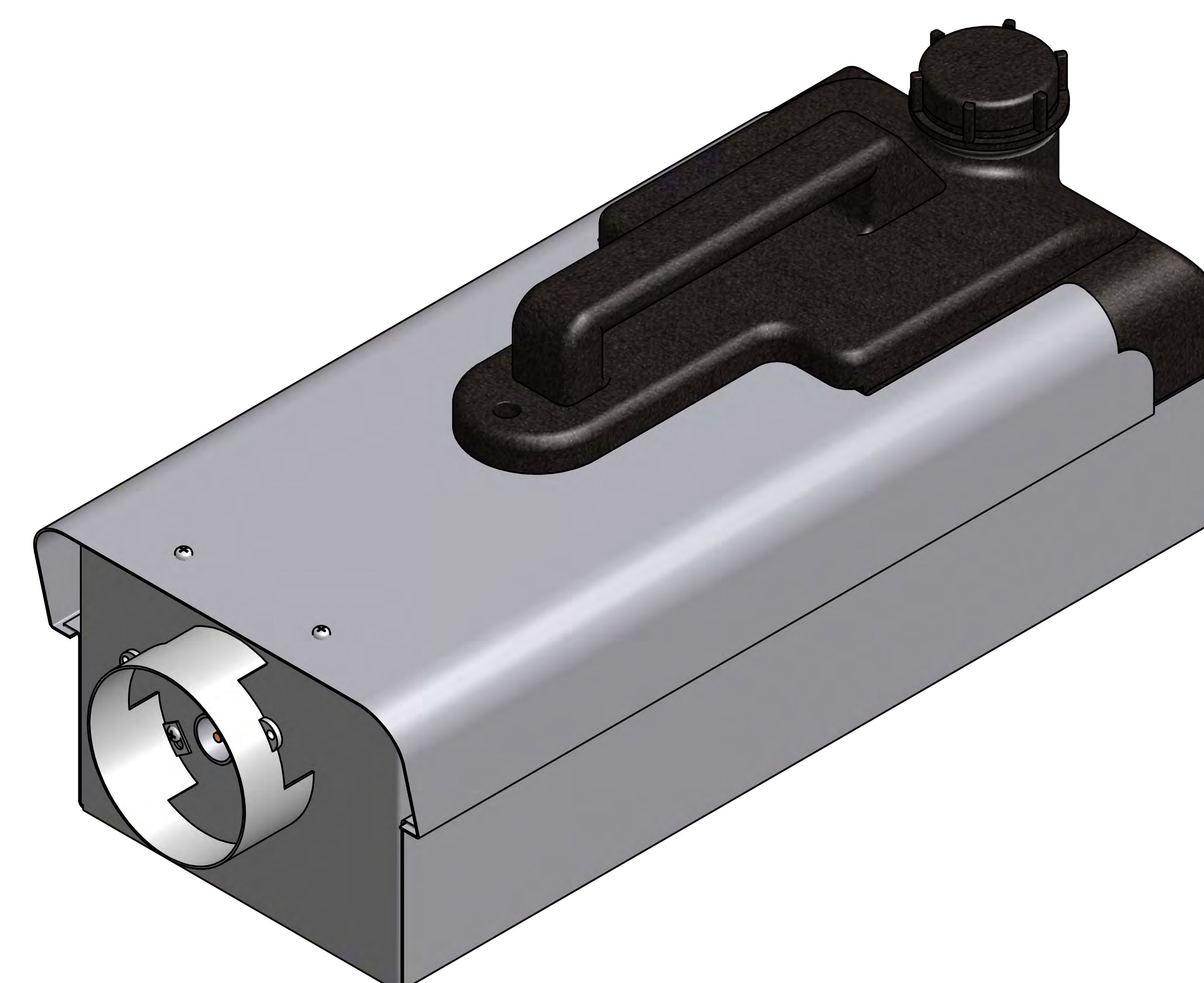


BATTLE FOGGER 110V



PARTS LIST

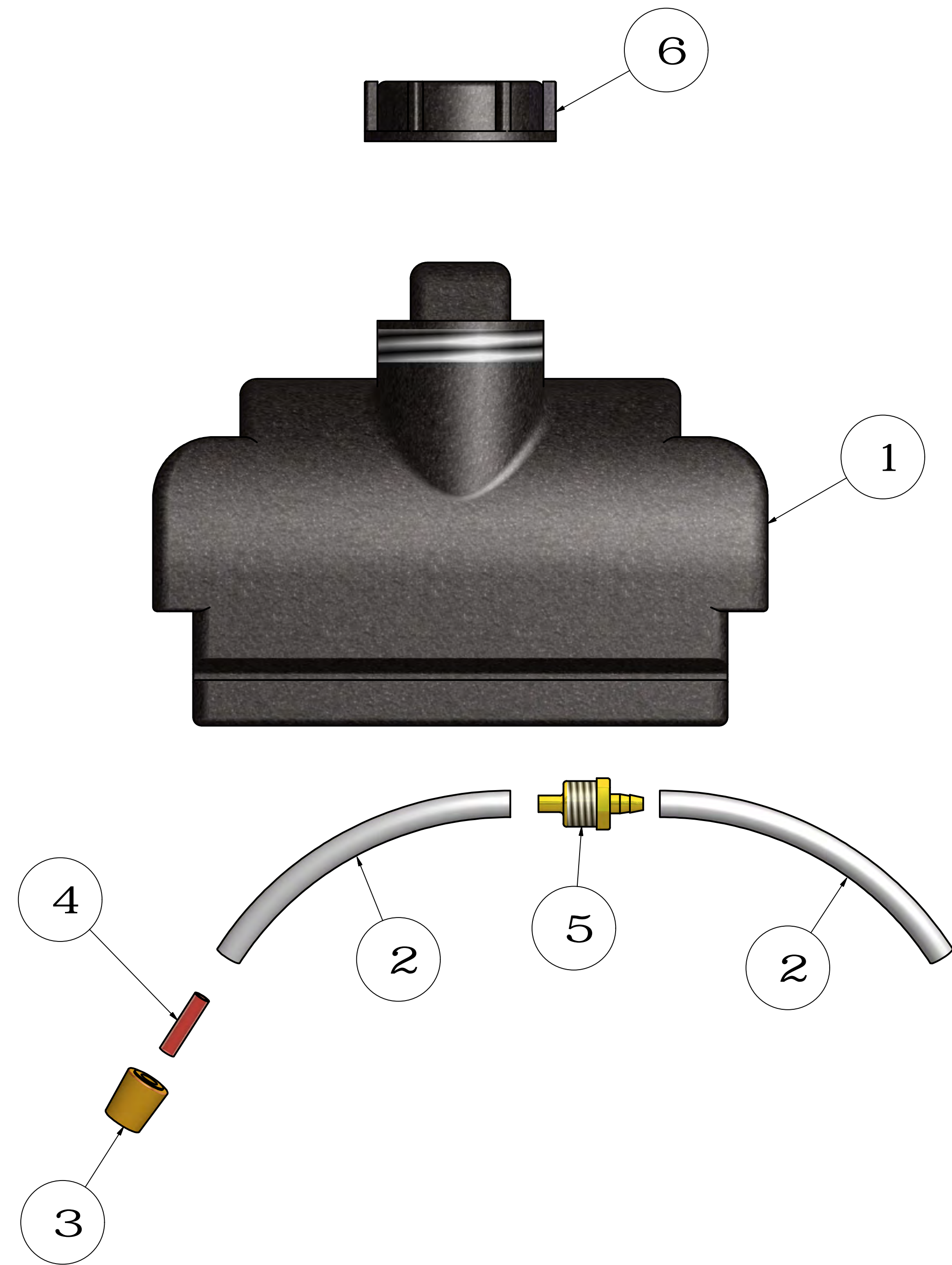
BATTLE FOGGER 110V



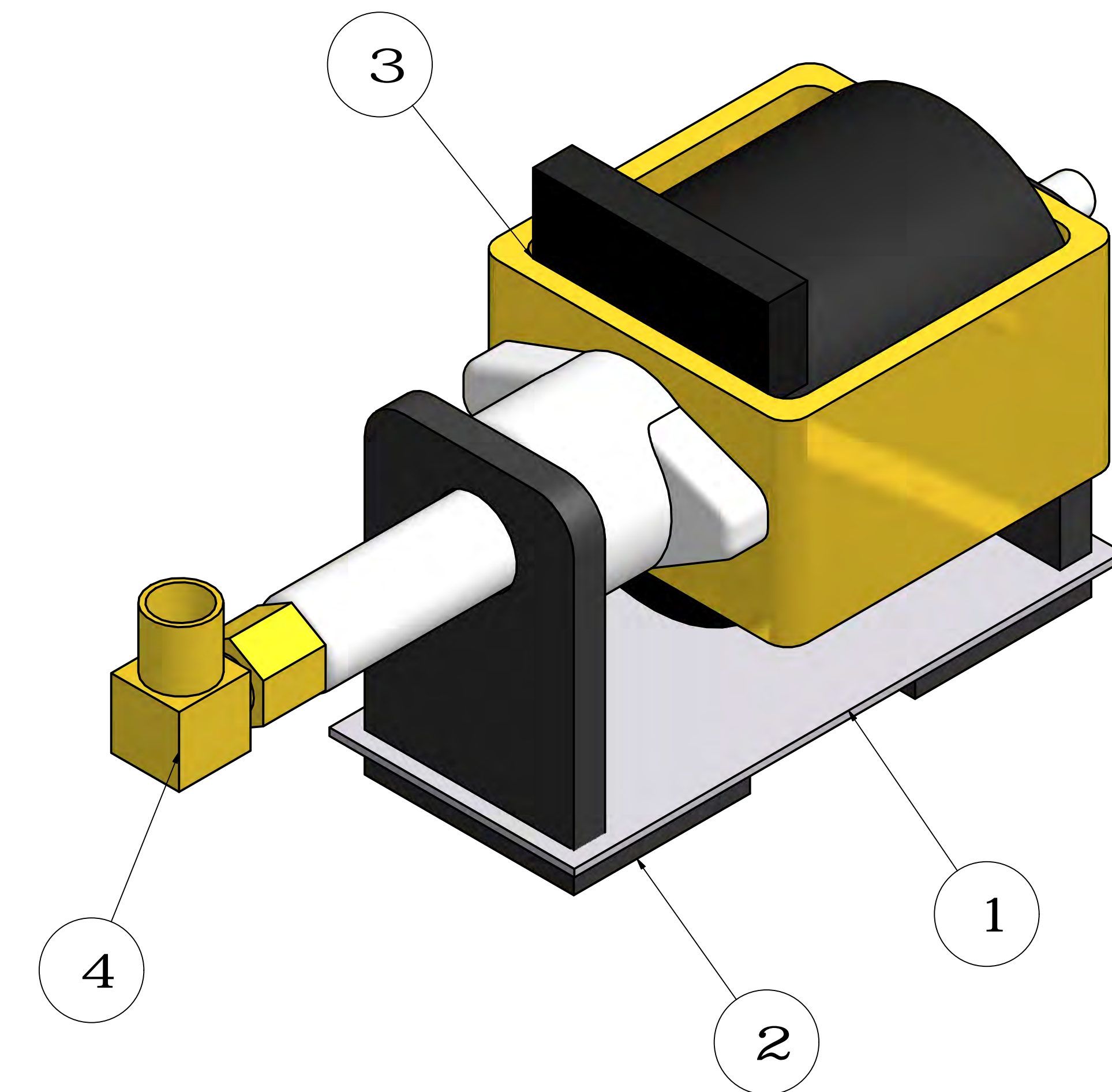
| ITEM | QTY | SALES NUMBER | DESCRIPTION |
|------|-----|----------------------|--|
| 1 | 1 | | BATTLE FOGGER CHASSIS BASE (GRAY) |
| 2 | 1 | CXP 4217 | 3 POLE TERMINAL BLOCK |
| 3 | 1 | CXP 2475 | HEATER TRIAC |
| 4 | 1 | CXP 4261 | "D" PLUG FOR 14/3 CABLE |
| 5 | 1 | CXP 1233 | POWER/STAGE FOGGER FUSE HOLDER |
| 6 | 1 | CXP 1097 | 15 AMP FUSE 1.25" |
| 7 | 1 | CXP 3040 | ILLUMINATED POWER SWITCH |
| 8 | 1 | CXP 1241 CXP 1341 | SHOW/BATTLE FOGGER PCB 110V 5-PIN SHOW/BATTLE FOGGER PCB 220V 5-PIN |
| 9 | 2 | | #4 X 1/2 PANPHILLIPS H-LOB/O |
| 10 | 2 | | #8 EXTERNAL TOOTHSTAR WASHER |
| 11 | 3 | | 8/32 STANDARD NUT |
| 12 | 2 | | RIVETS - 3/16" X 3/8" |
| 13 | 4 | | ALUMINUM RIVETS - 3/16" X 1/2" |
| 14 | 4 | CXP 2436 | MACHINE FEET - SET OF 4 |
| 15 | 4 | | 6/32 X 1/2" PANPHIL SCREW B/O |
| 16 | 2 | | #6-32 LOCK NUT |
| 17 | 3 | CXP 4255 | LOCK WASHER - 1/4" |
| 18 | 1 | | 1/4" EXTERNAL TOOTH LOCK WASHER |
| 19 | 4 | | 1/4" X 3/4" HEXBOLT PLATED GRADE 5 |
| 20 | 2 | | 6/32 X 3/4 PANPHIL SCREW B/O |
| 21 | 1 | CXP 3510 | SHOW/BATTLE FOGGER HEAT SHIELD |
| 22 | 1 | CXP 1288 | 1/4" HOLE GROMMET THIN |
| 23 | 1 | CXP 1054 | BATTLE FOGGER CHASSIS LID (GRAY) |
| 24 | 1 | CXP 4280 | # 10-24 X 1" PANPHIL B/O |
| 25 | 1 | CXP 4285 | WASHER .250 ID / .750 OD B/O |
| 26 | 1 | CXP 1071 | BATTLE FOGGER 4" HOSE ADAPTER (GRAY) |
| 27 | 1 | CXP 4075 CXP 1112 | SHOW BLOCK RAPID CHANGE REV. 1-110V SHOW BLOCK RAPID CHANGE REV. 1-220V |
| 28 | 1 | CXP 6040 | 14/36 POWER CORD W/3 PRONG |
| 29 | 10 | CXP 1272 | #8 X 1/2" SELF TAPPING SCREW B/O |
| 30 | 1 | CXP41396PIN | STAGE/SHOW/BATTLE/PREMIER REMOTE 5-PIN |
| 31 | 1 | | JUG HOSE ASSEMBLY |
| 32 | 1 | | PUMP ASSEMBLY |
| 33 | 1 | | #8-32 X 3/4 PHILP PANHEAD B/O |

| REVISION HISTORY | |
|------------------|------------|
| REV-# | DATE |
| B | 12/09/2018 |

JUG - HOSE ASSEMBLY



PUMP ASSEMBLY



TABLE

| ITEM | QTY | SALES NUMBERS | DESCRIPTION |
|------|---------------------------------|---------------|---|
| 1 | 1 | CXP 2019 | MACHINE RESERVOIR SHOW/BATTLE |
| 2 | 2.250LF (Linear Foot) Q6858M | CXP 2476 | 1/4" SILICONE TUBE LF |
| 3 | 1 | | 1/4 QUICK CONNECT BRASS STONE FILTER |
| 4 | 0.100LF (Linear Foot) Q0304M | CXP 1072 | 1/4" BLACK POLYTUBE |
| 5 | 1 | CXP 1248 | BRASS FITTING STAGE/SHOW/BATTLE FLUID JUG |
| 6 | 1 | CXP 3501 | BATTLE FOGGER FLUID CAP |

TABLE

| ITEM | QTY | SALES NUMBER | DESCRIPTION |
|------|-----|----------------------|--------------------------------------|
| 1 | 1 | CXP 4258 | PUMP BRACKET FLAT |
| 2 | 2 | CXP 4258 | NEW STYLE PUMP RUBBERS |
| 3 | 1 | CXP 4148 CXP 4150 | PUMP 110V PUMP 220V |
| 4 | 1 | CXP 2431 | 3/16 PUMP ELBOW MALE - NORTHAMERICAN |