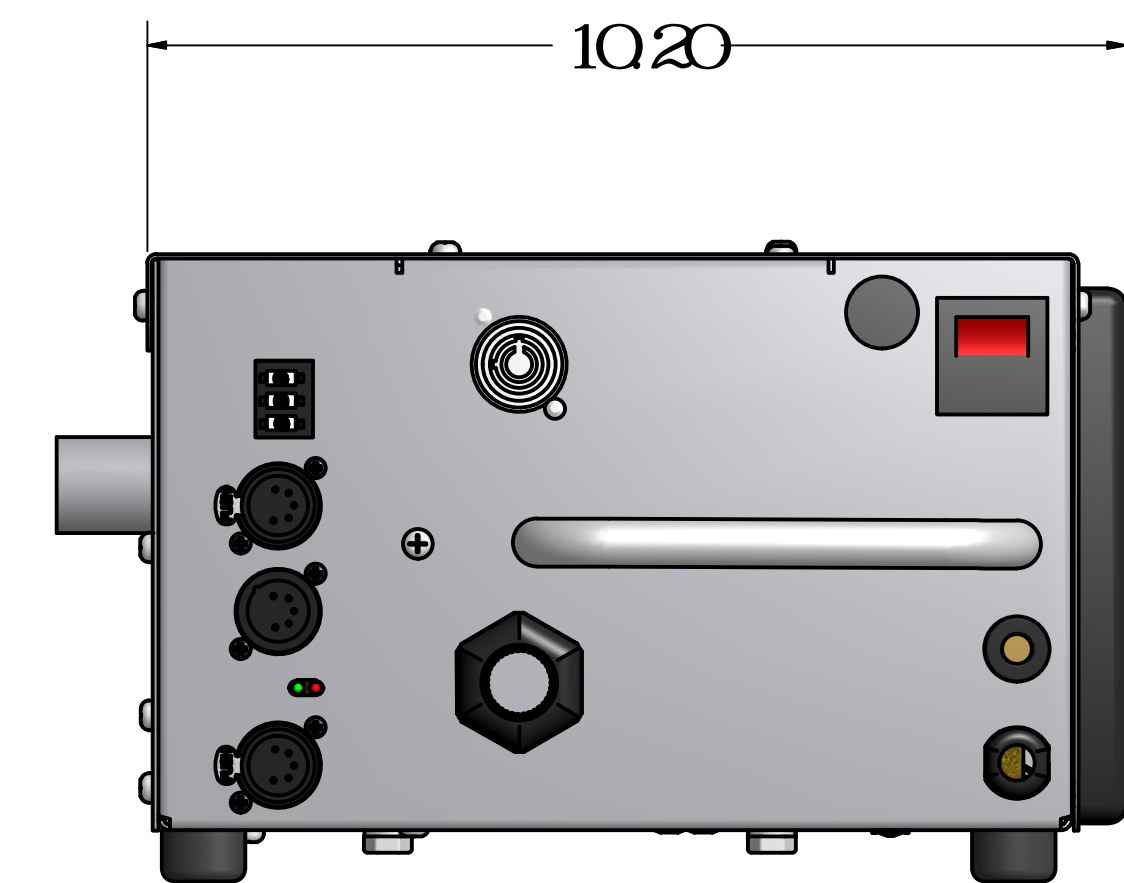
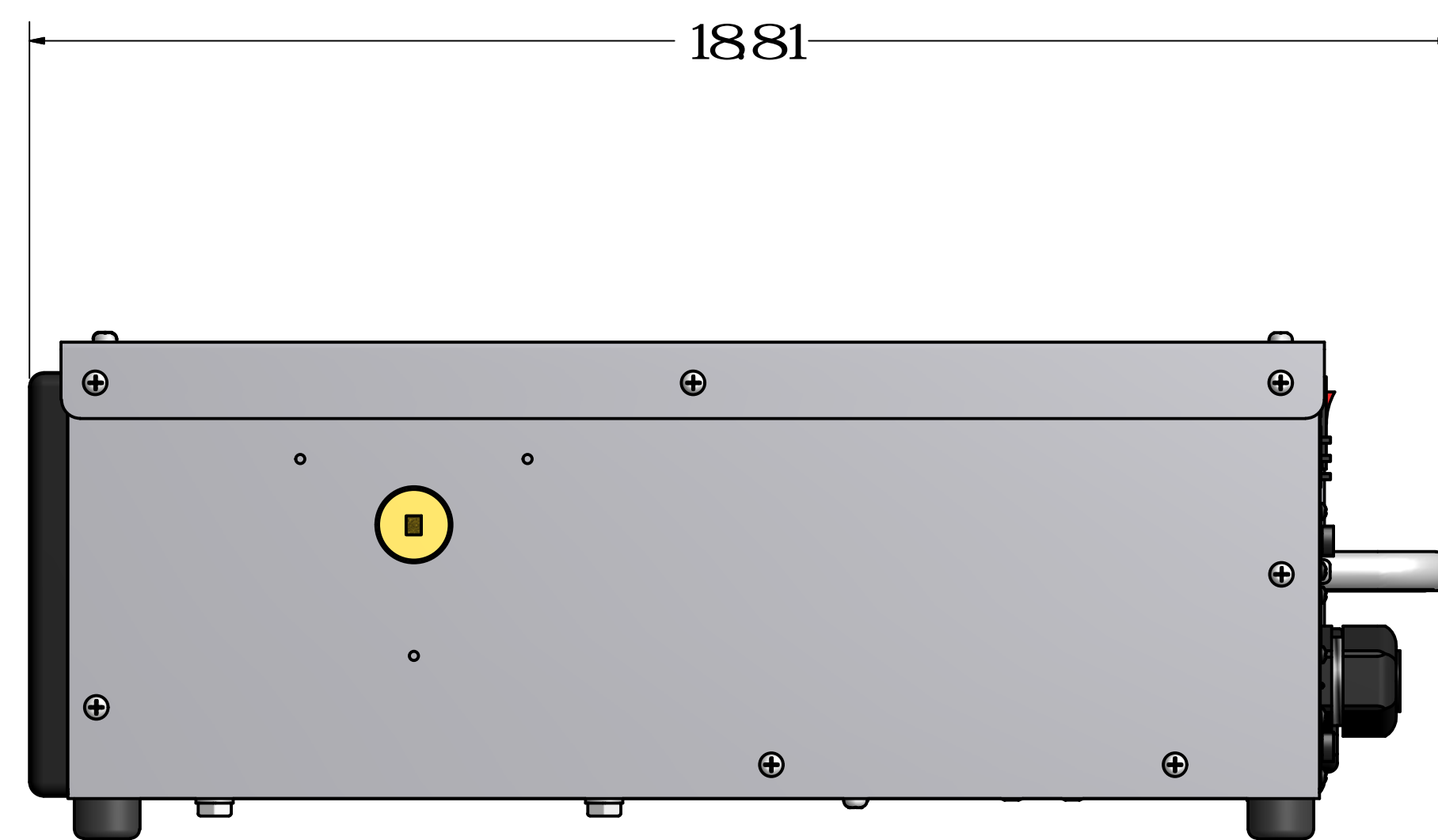
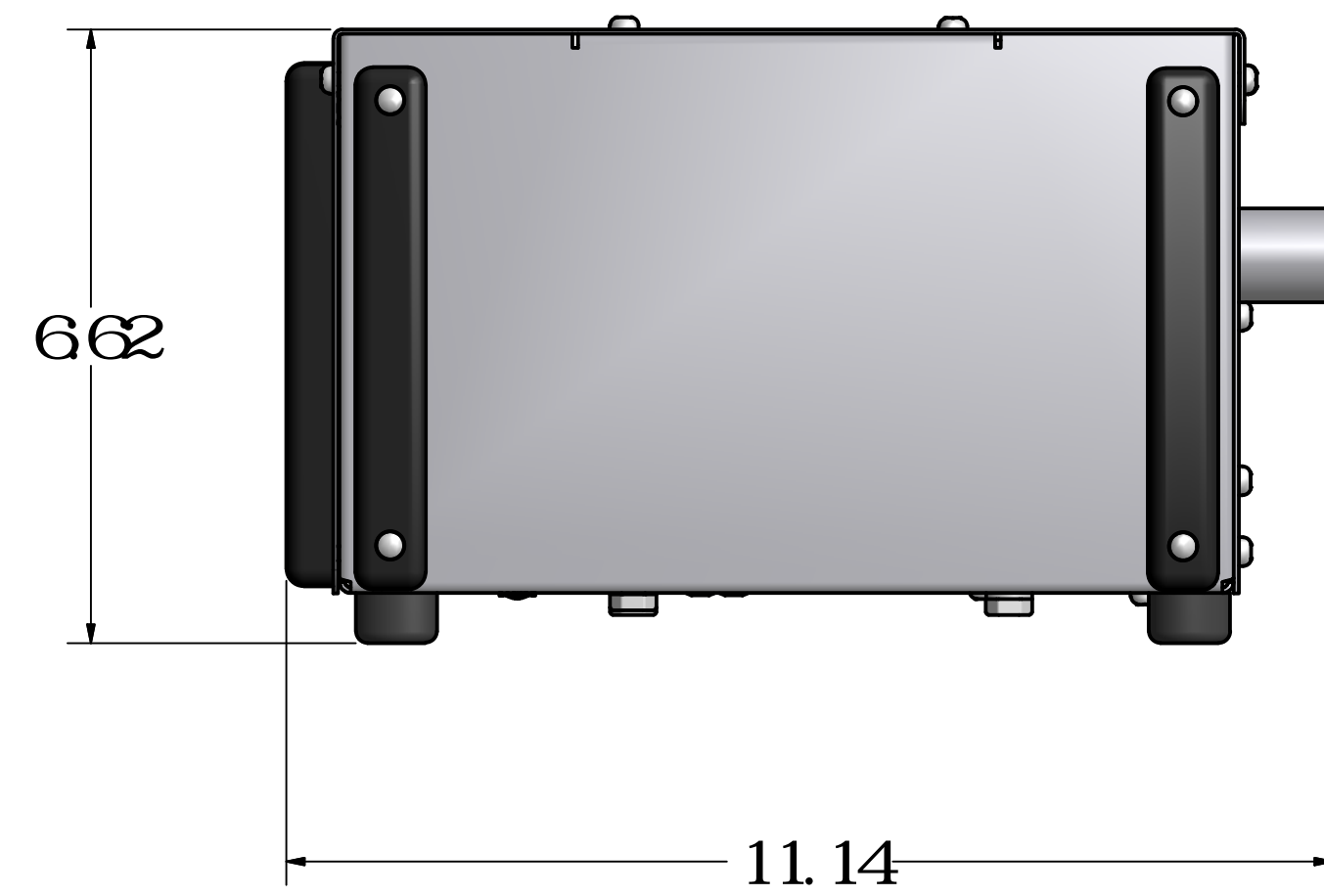
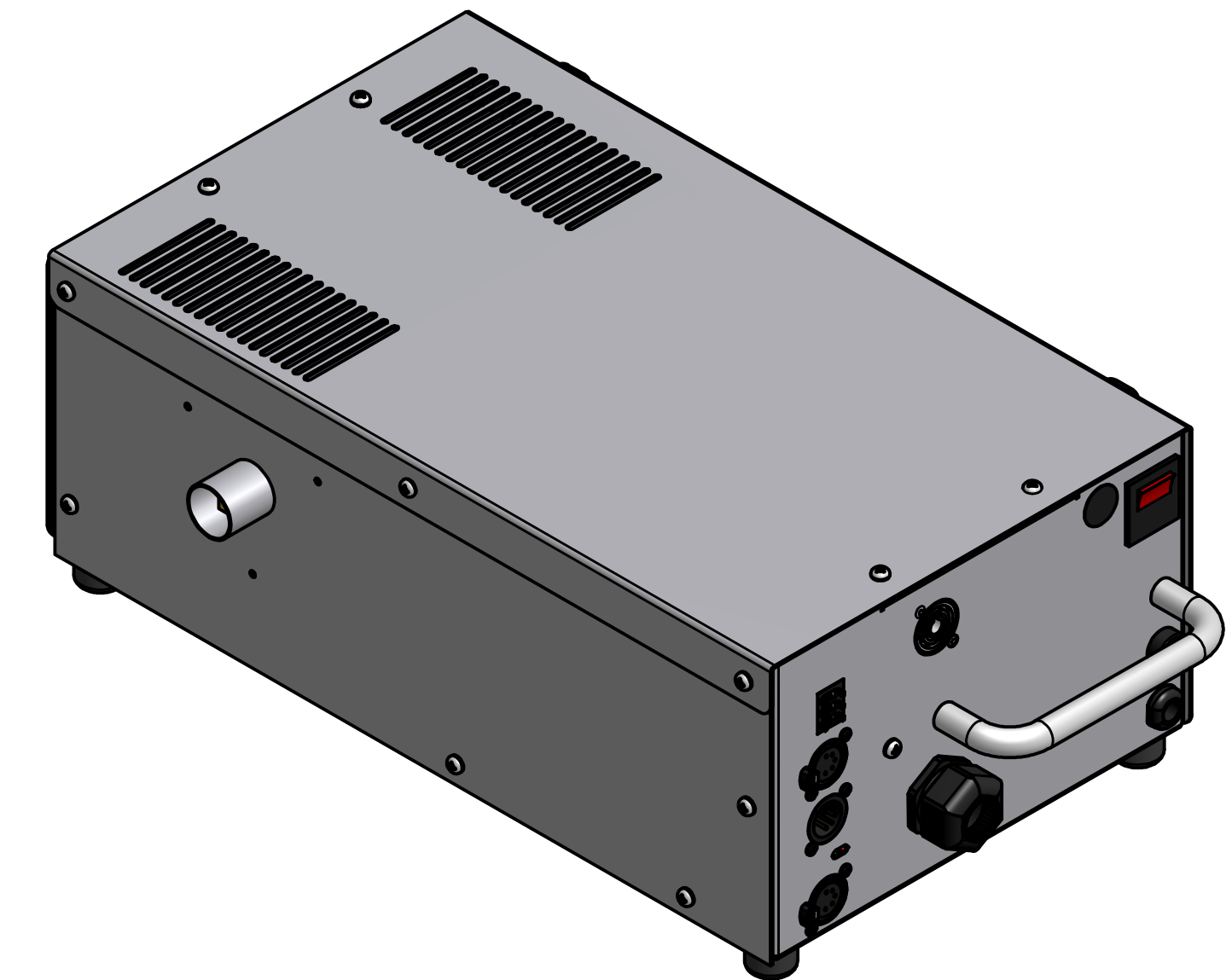
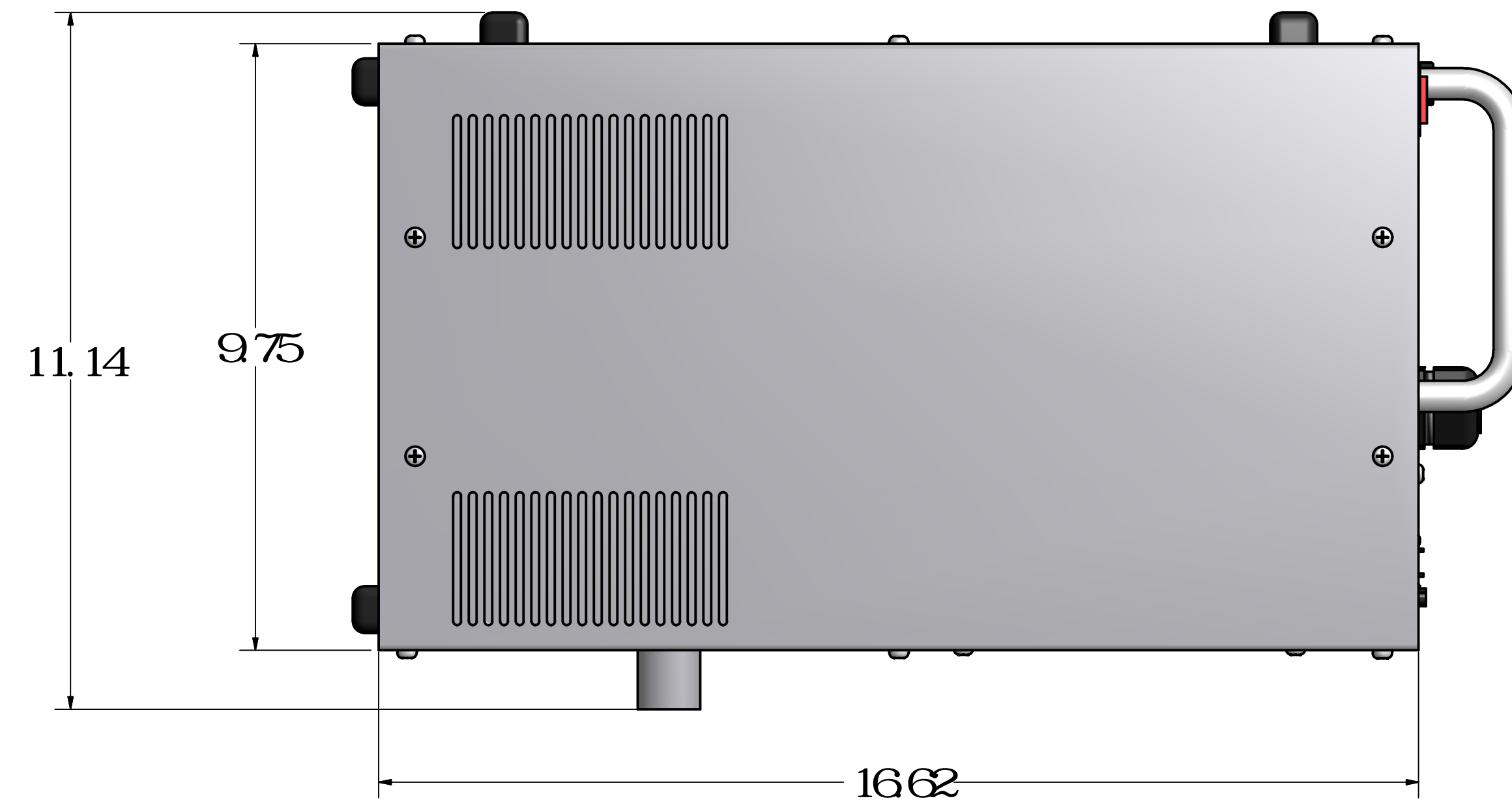
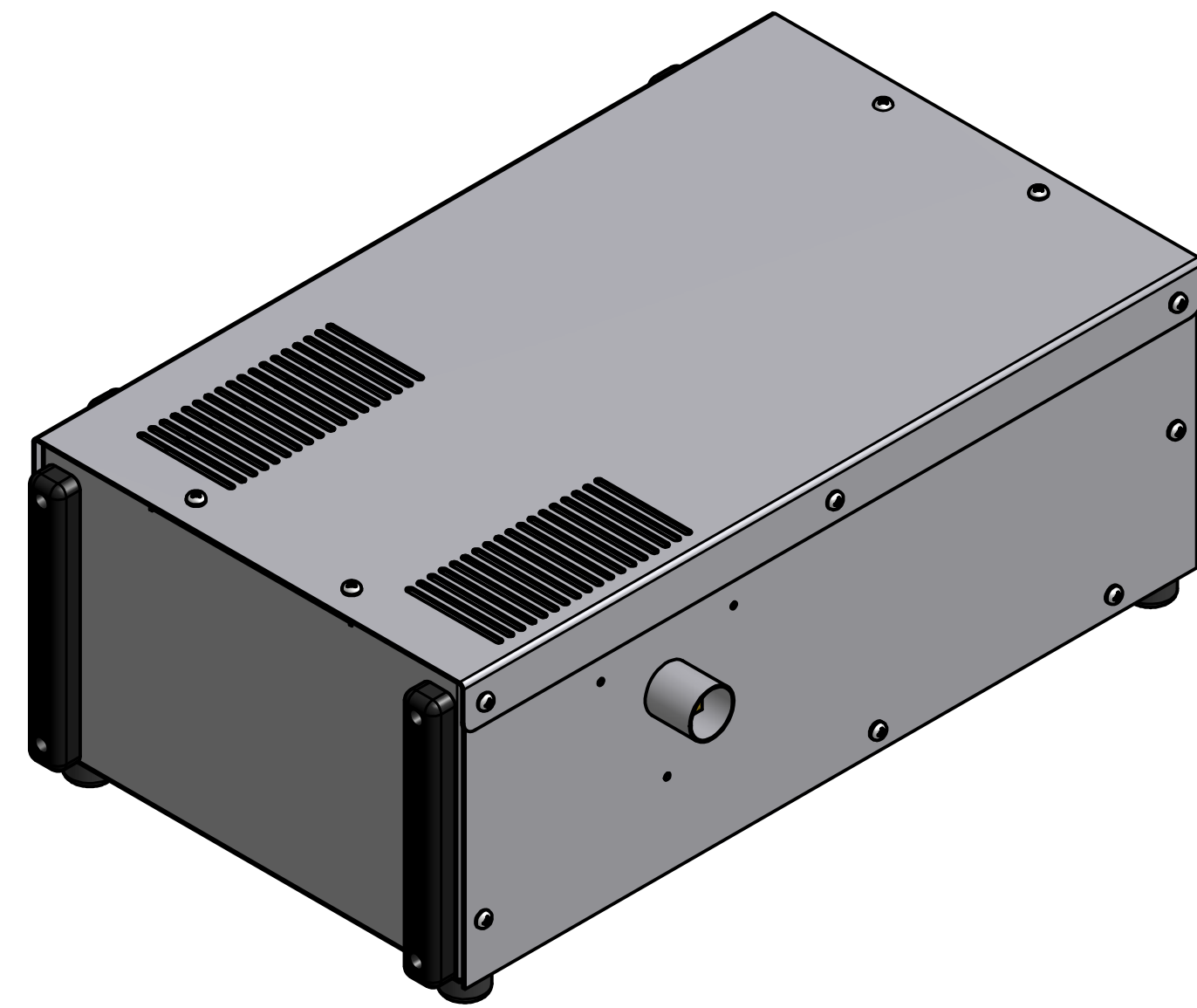


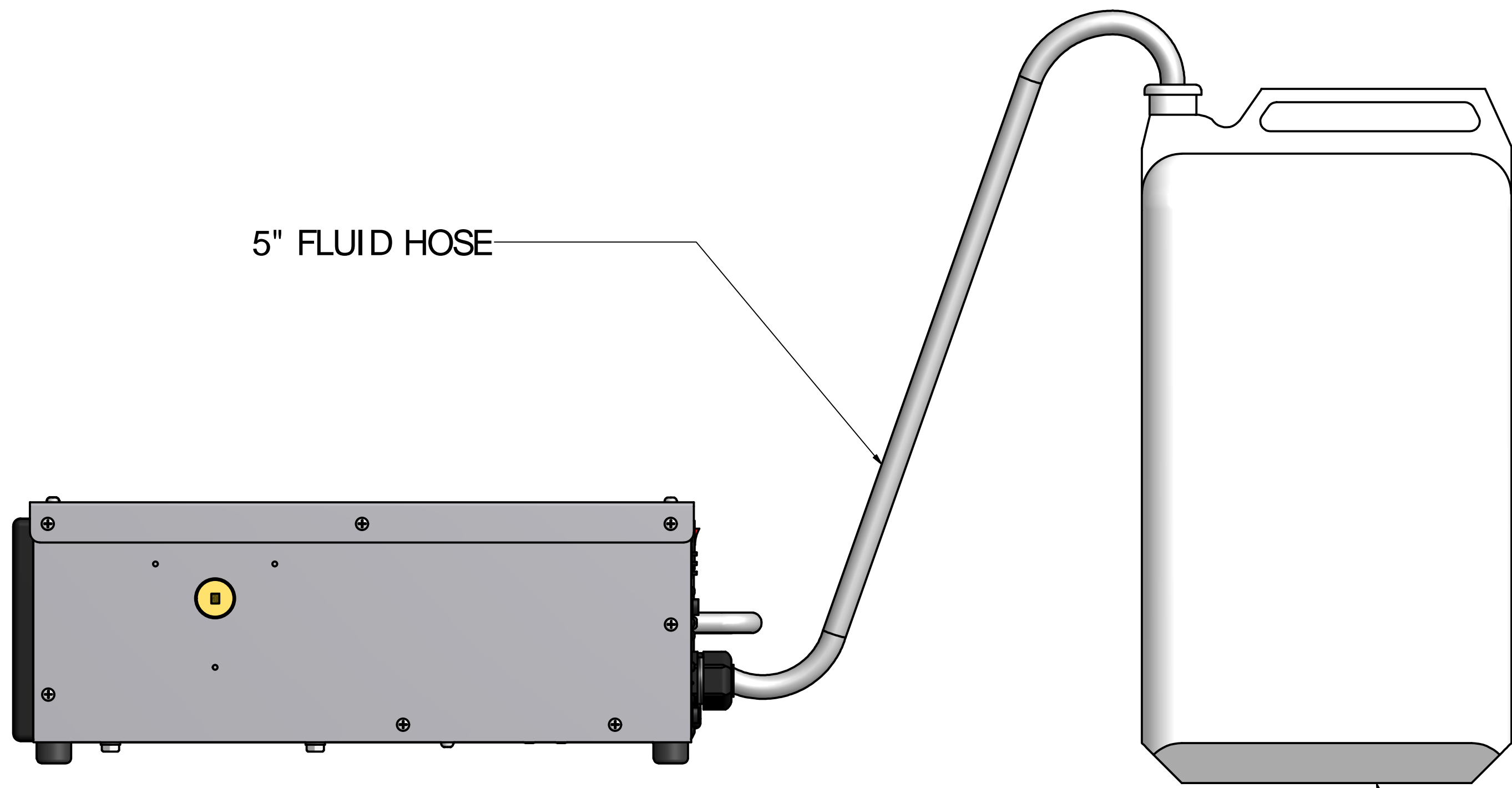
REVISION HISTORY

REV-#	DATE
A	2009/2016

9D POWER FOGGER INDUSTRIAL 110V



9D POWER FOGGER INDUSTRIAL WITH JUG HOSE



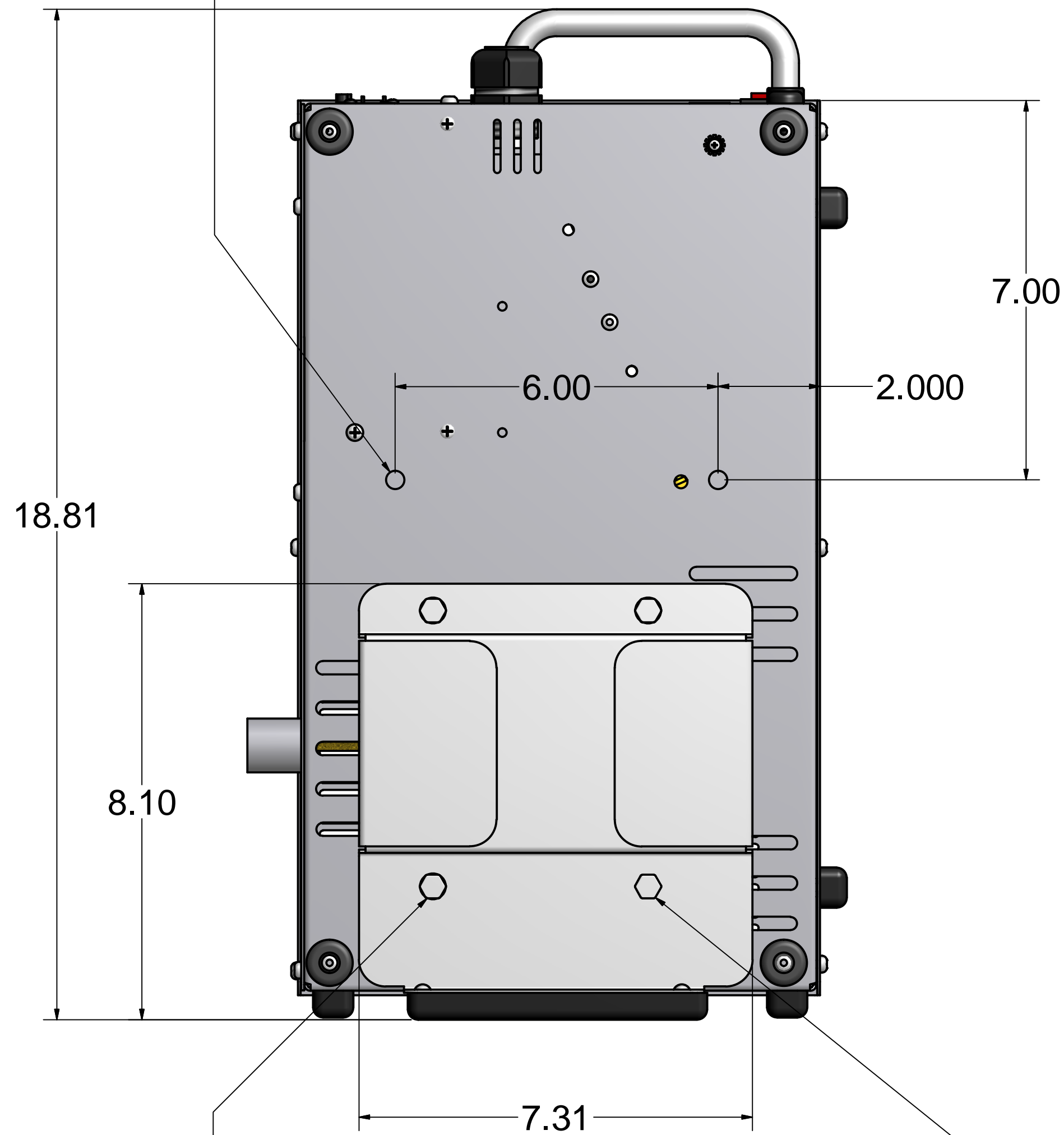
5" FLUID HOSE

20 L JUG

9D POWER FOGGER W/ JUG HOLDER

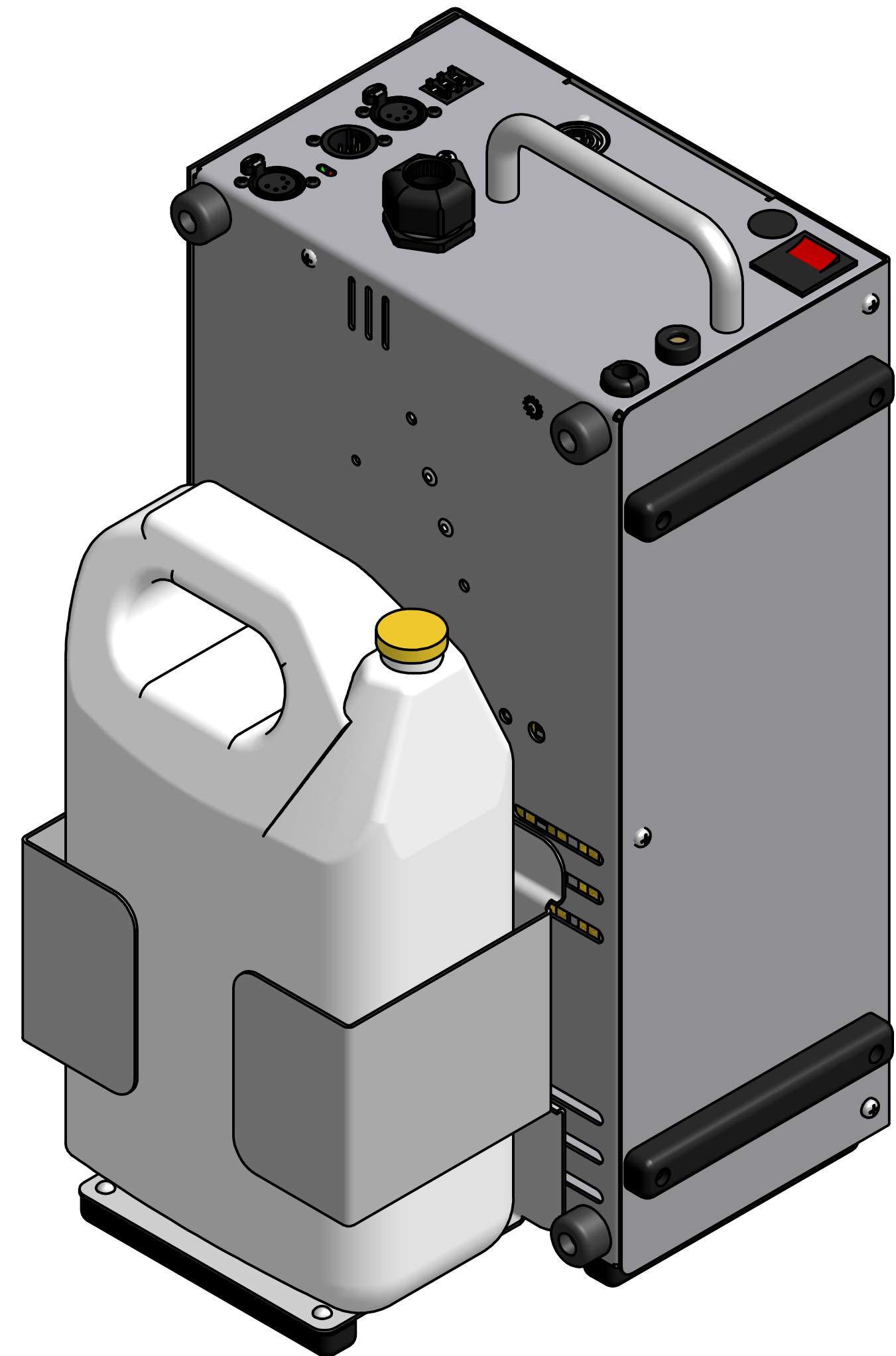


2 Mounting Holes
For Truss Mount Bracket



1/4" X 3/4" HEX BOLTS
GRADE 5 (6X)

4 Mounting Holes
for Jug holder



REVISION HISTORY	
REV-#	DATE
A	20/09/2016