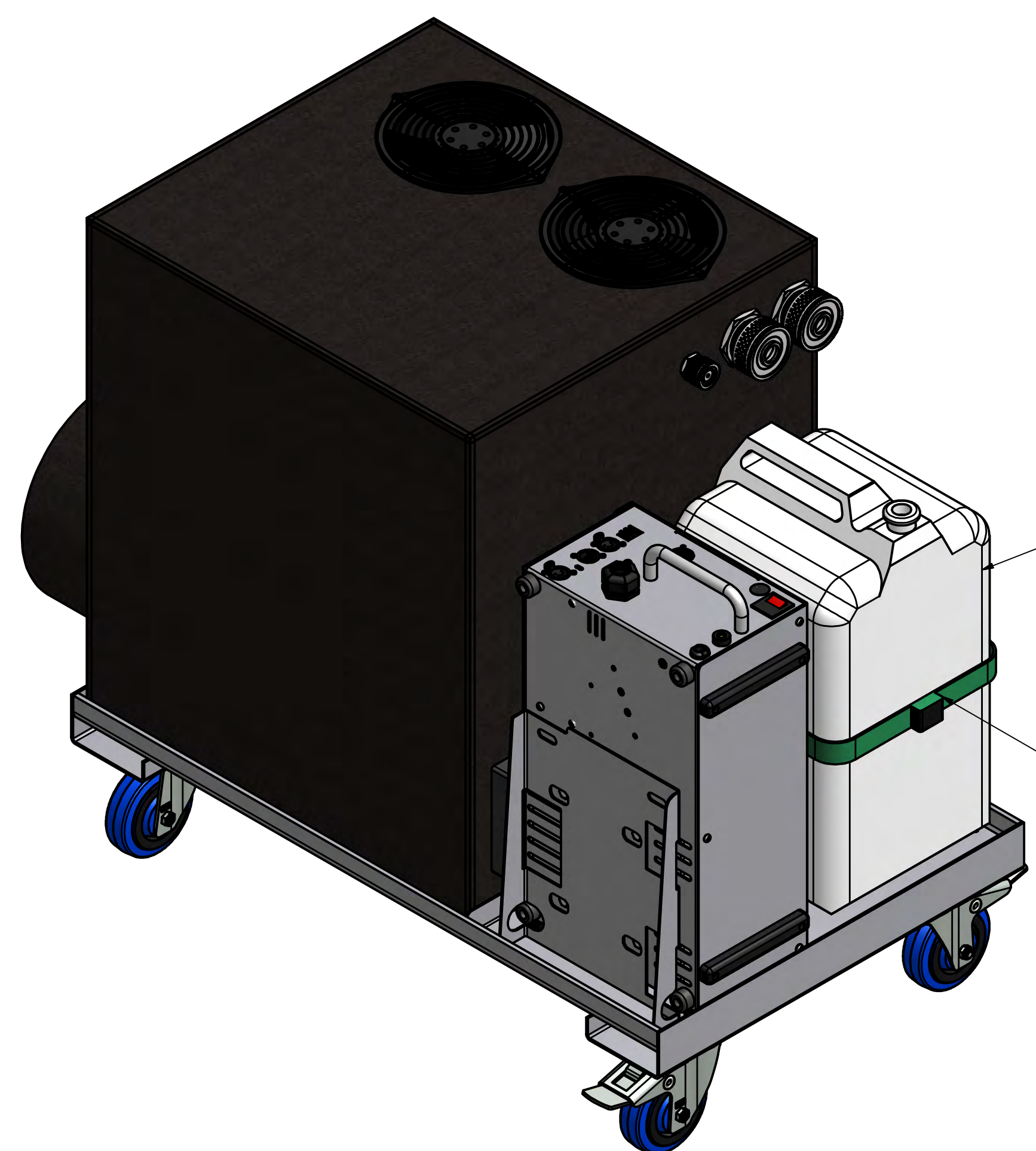


LSG PFI-9D SYSTEM-CART

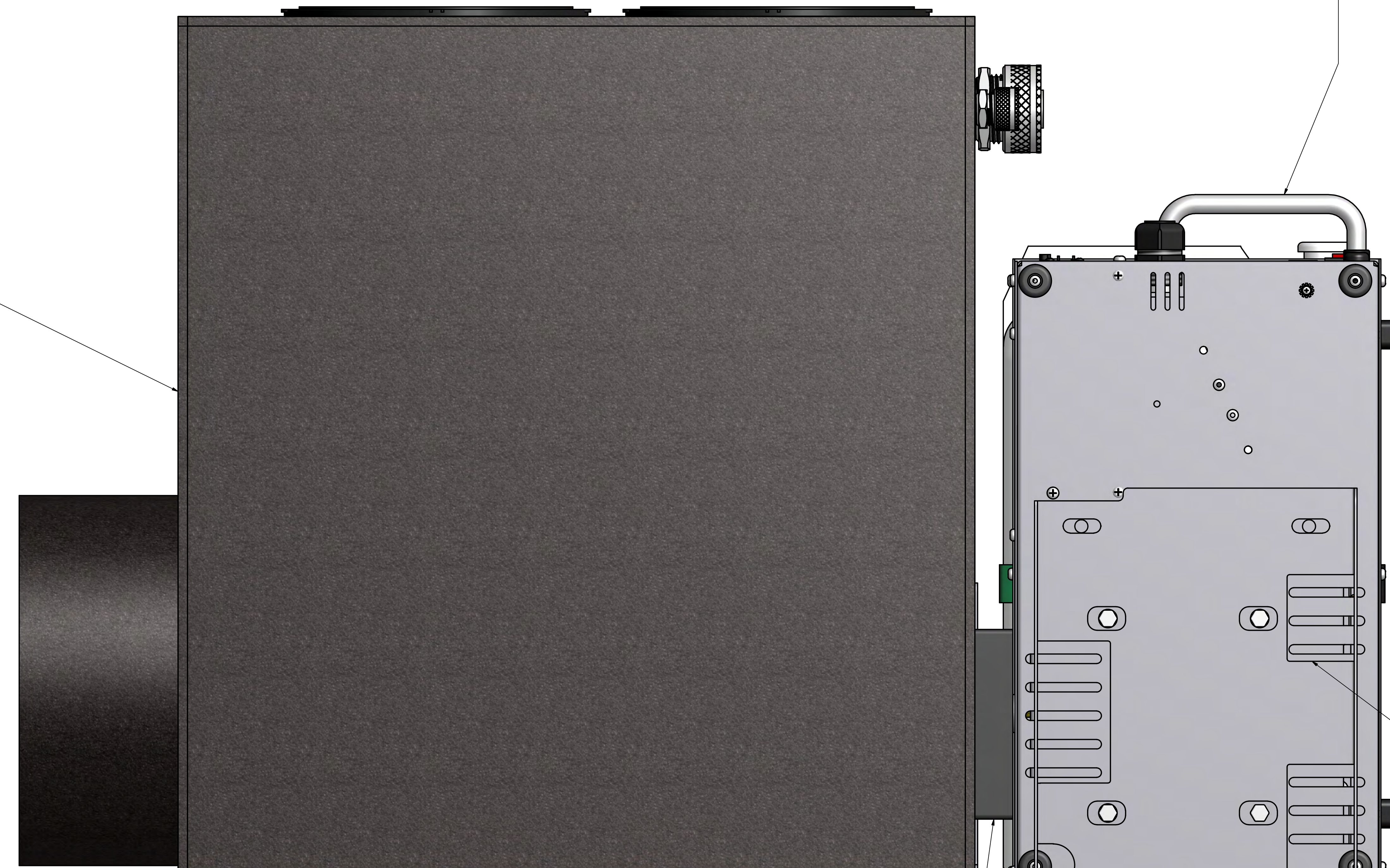


20LTR FLUID JUG

LSG PFI-9D STRAP

9D POWER FOGGER INDUSTRIAL

LSG MKII



LSG CART BOTTOM PLATE

LSG PFI-9D CART

LSG FOAM GASKET

4" NON LOCKABLE CASTORS
CXP 3038

4" LOCKABLE CASTORS
CXP 3036

REVISION HISTORY

REV-#	DATE
A	20/04/2017

LSG PFI-9D SYSTEM-CART

