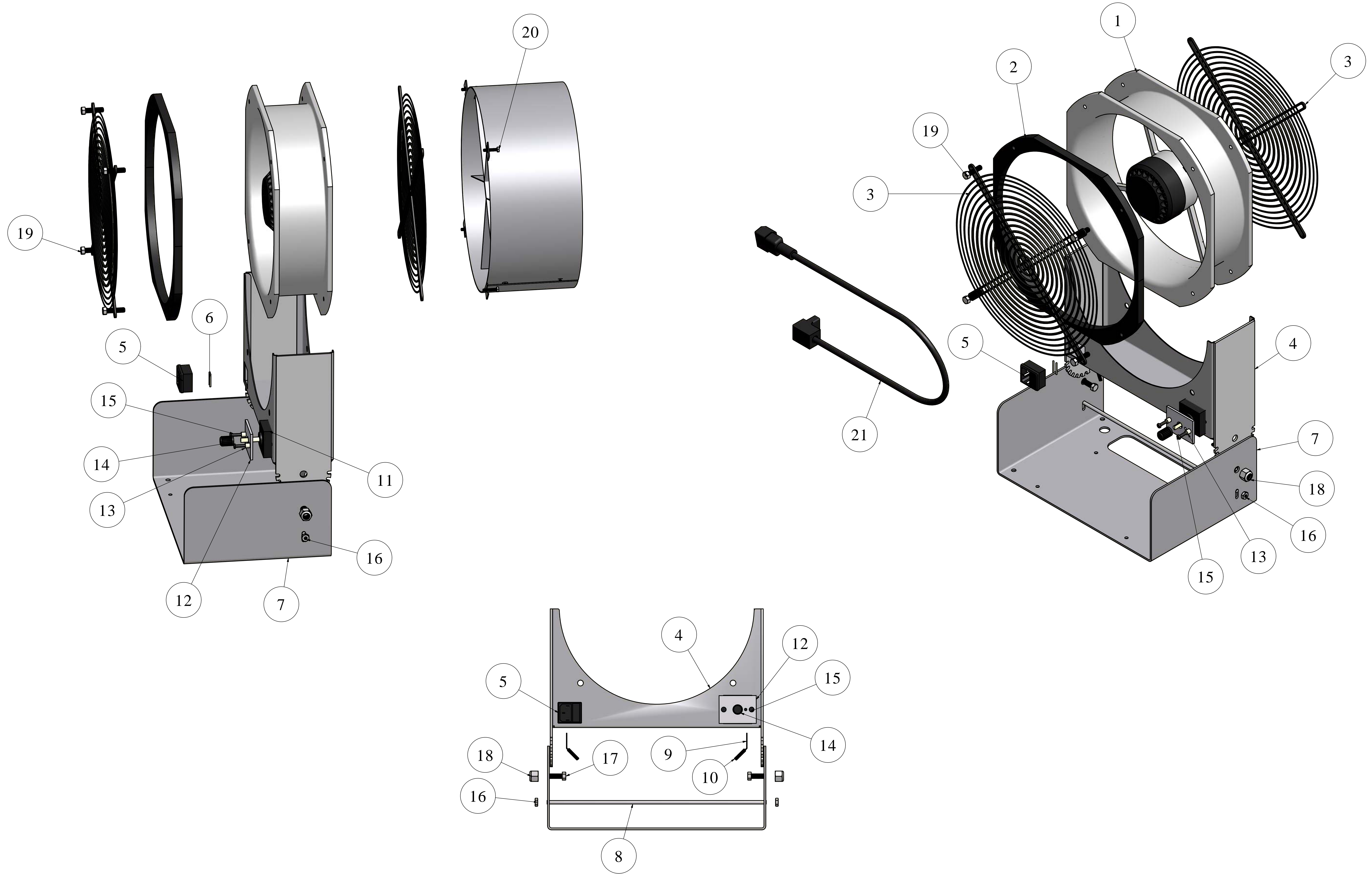


# VERSA FAN 110V

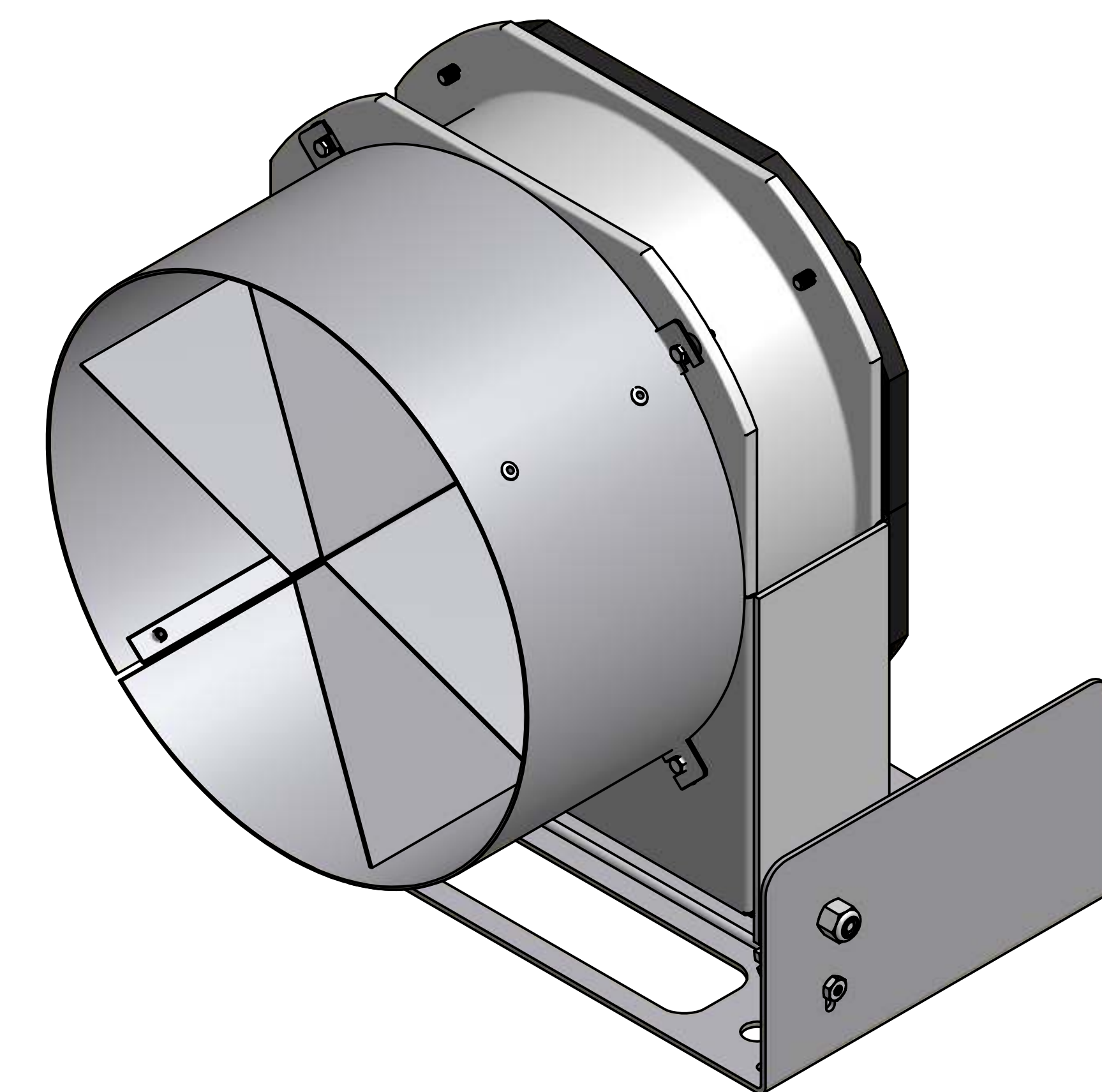
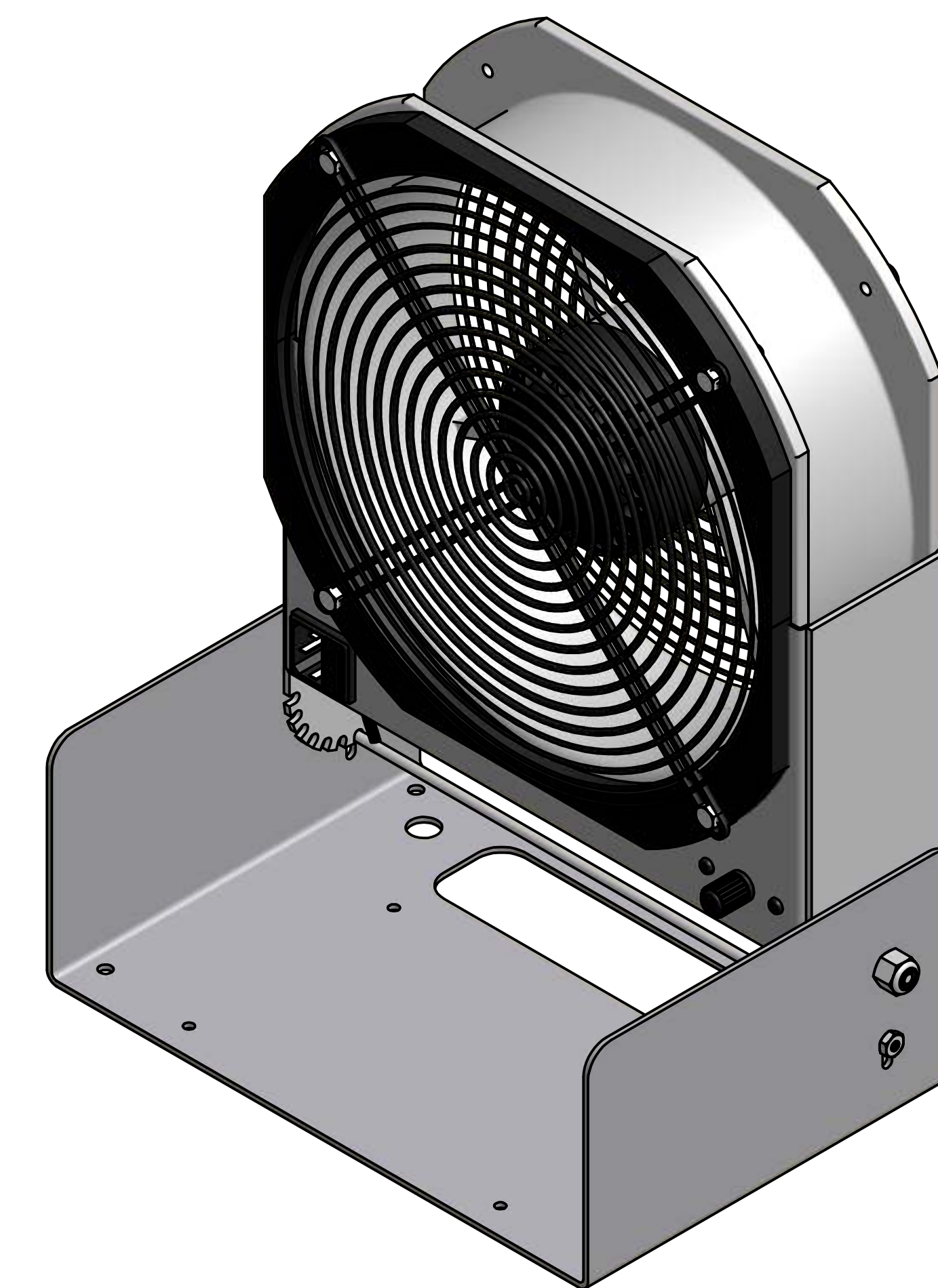


PARTS LIST



VERSA FAN W / FOCUS

ITEM	QTY	SALES NUMBER	DESCRIPTION
1	1	CXP 1132	VERSA FAN & MOTOR 110V
2	2	CXP 2800	VERSA FAN GUARD SPACER
3	2	CXP 2801	VERSA FAN 10" FINGER GUARD
4	1	CXP 1148	VERSA FAN WELDMENT
5	1	CXP 2802	FUSE POWERED ENTRY MODULE
6	2	CXP 2804	5 X 20 MM 2.5 AMP FUSE
7	1	CXP 1149	VERSA FAN BASE
8	1	CXP 1151	VERSA FAN LATCH ROD
9	2	CXP 1150	VERSA FAN SPRING TAB
10	2	CXP 1147	VERSA FAN SPRING
11	1	CXP 3044 CXP 4034	MC3 FAN SPEED CONTROL 110V MC3 FAN SPEED CONTROL 220V
12	1		VERSA FAN MC3 PLATE
13	2		1/4" STANDOFF
14	1	CXP 2608	CONTROL KNOB (REMOTE/MC3)
15	2		# 6-32 X 3/4" PHIL SCREW B/O
16	2		10/32 LOCK NUT
17	2	CXP 1166	# 3/8-16 X 3/4" BOLT B/O
18	2	CXP 1168	# 3/8-16 NYLOCK NUT
19	4		1/4" X 1" HEX BOLT B/O
20	4		1/4" X 3/4" BOLT B/O
21	1	CXP 1152	90 DEGREE POWER CORD



REVISION HISTORY	
REV-#	DATE
A	27/09/2016