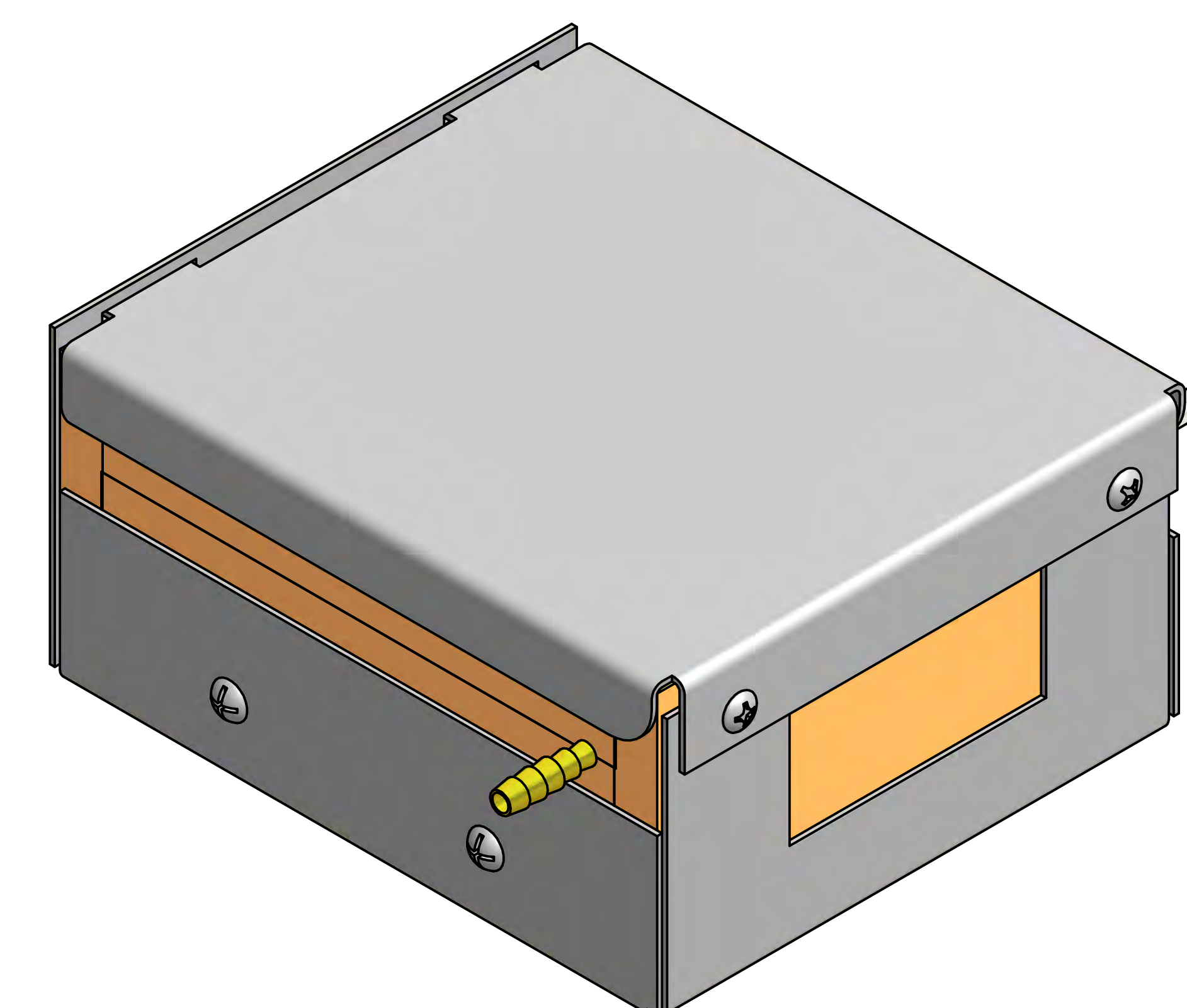


PARTS LIST

ITEM	QTY	SALES NUMBER	DESCRIPTION
1	1		HANDY FOGGER BLOCK BASE
2	1	CXP 8060	HANDY FOGGER BLOCK INSULATION KIT
3	1		HANDY FOGGER HEATER BENT PLATE
4	1		HANDY FOGGER 1" ALUMINUM HEATER PLATE
5	2	CXP 8065	ULTRA HANDY FOGGER RAPID CHANGE KIT
6	1	CXP 8065	ULTRA HANDY FOGGER RAPID CHANGE KIT
7	1	CXP 2476	1/4" SILICONE TUBE LF
8	1		HANDY FOGGER 3/16 S.S. BLOCK PLATE
9	4	CXP 8065	ULTRA HANDY FOGGER RAPID CHANGE KIT
10	4	CXP 8065	ULTRA HANDY FOGGER RAPID CHANGE KIT
11	4	CXP 1257	# 12 X 2" PAN PHILLIPS SCREW
12	2		#6/32 X 1/4" PHILLIPS SCREW S.S.
13	1	CXP 2227	NEW THERMAL DISC W/WIRES & RIVETS (FOG/HAZE)
14	1	CXP 4224	G3000 CARTRIDGE HEATER 120V
15	1	CXP 4005	NEW THERMOCOUPLE ASSEMBLY
16	2		#8 X 1/2" TRUSS PHILLIPS SCREW
17	1		HANDY FOGGER BLOCK LID

ULTRA HANDY FOGGER
BLOCK



REVISION HISTORY	
REV-#	DATE
A	13/09/2016