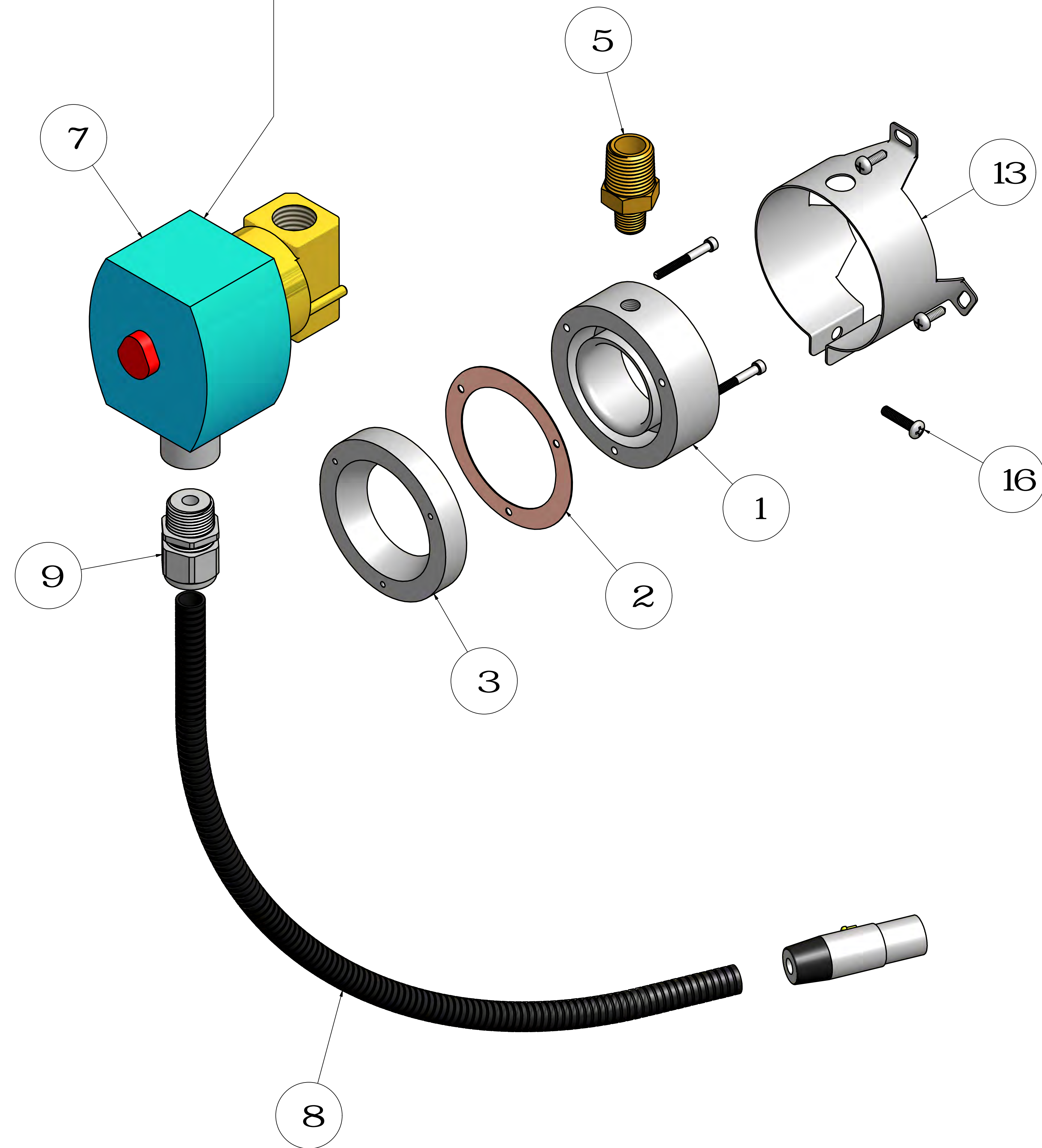
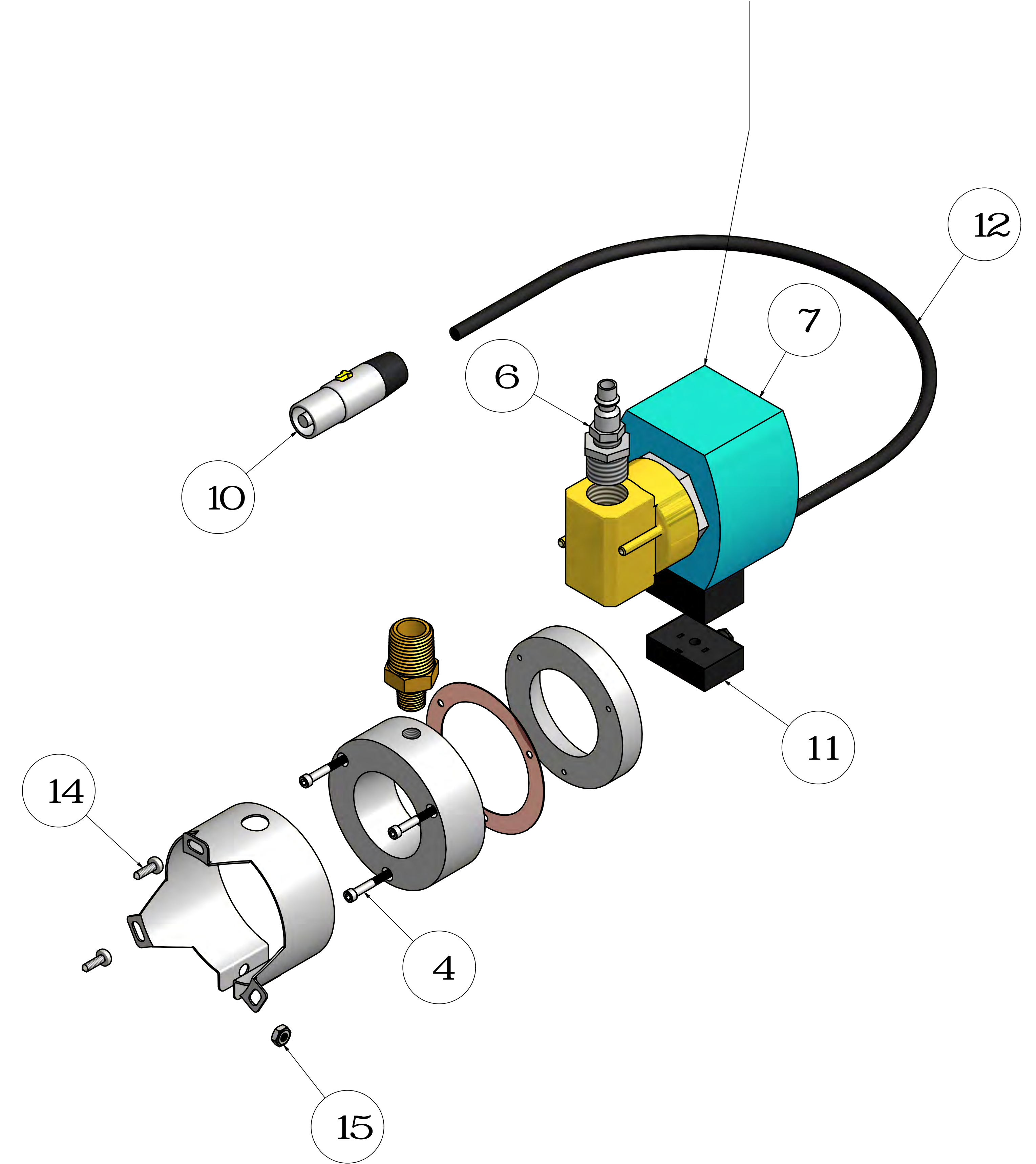


FOG BURST FOR PFI /9D

FOG BURST VALVE REV-A



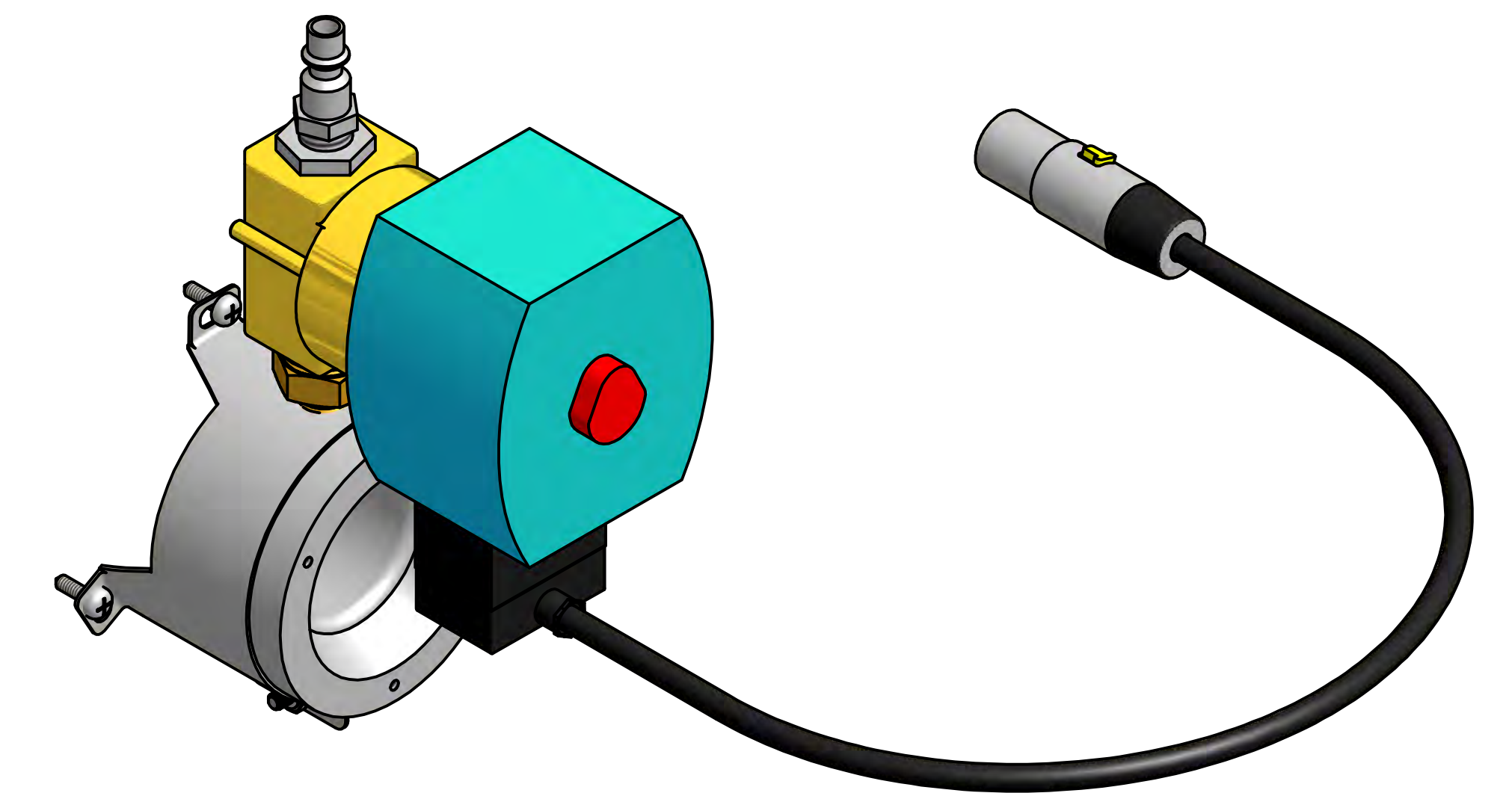
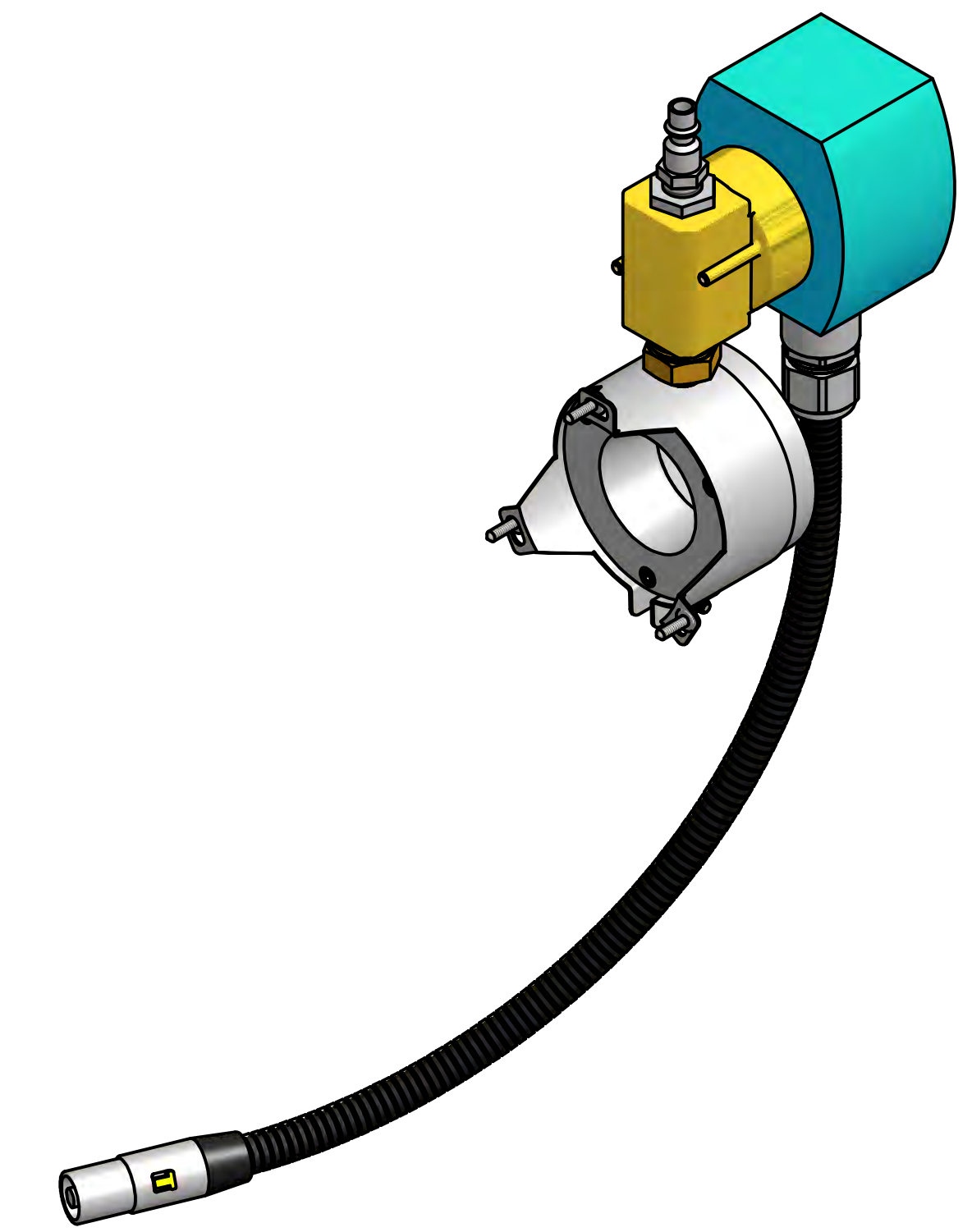
FOG BURST VALVE REV-B



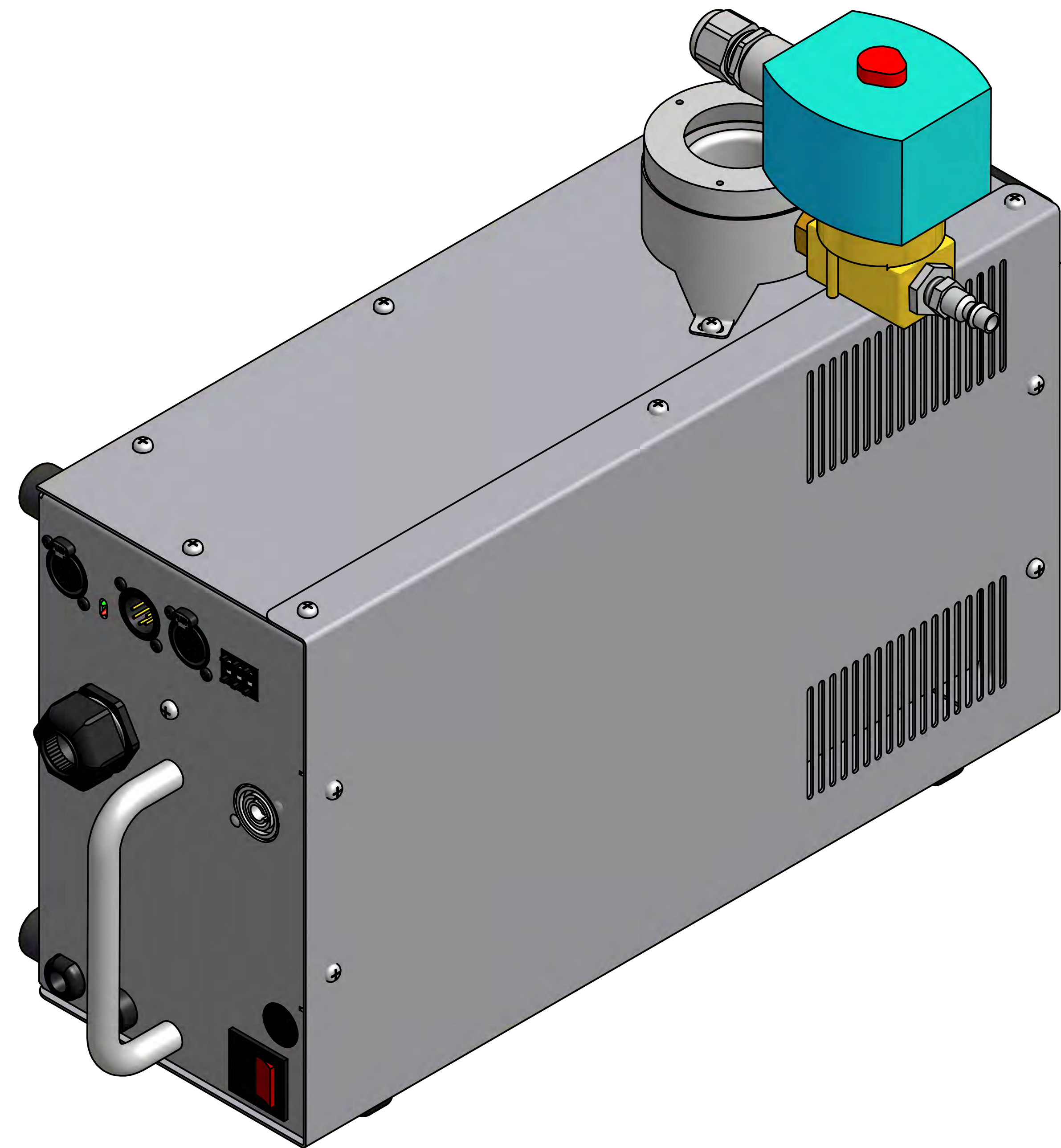
PARIS LIST

FOG BURST FOR PFI /9D

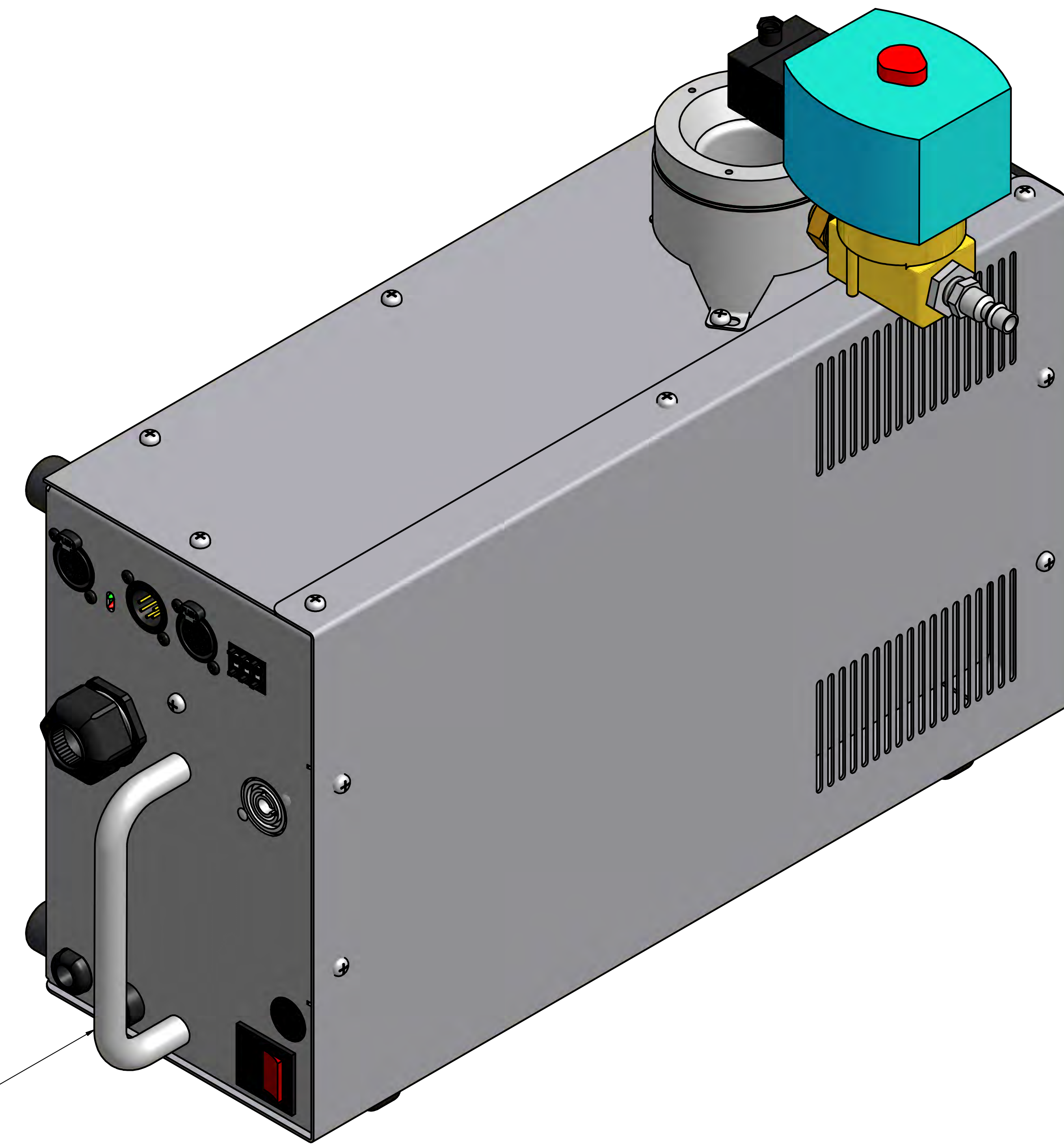
| ITEM | QTY | SALES NUMBER | DESCRIPTION |
|------|----------------------------------|--------------|--|
| 1 | 1 | CXP 1711 | 3' AIR AMPLIFIER BOTTOM PART PFI-9D FOG BURST AMPLIFIER ASSEMBLY |
| 2 | 1 | CXP 1711 | PLASTIC SHIM 3' CIRCLES FOG BURST PFI-9D FOG BURST AMPLIFIER ASSEMBLY |
| 3 | 1 | CXP 1711 | 3' AIR AMPLIFIER TOP PART PFI-9D FOG BURST AMPLIFIER ASSEMBLY |
| 4 | 3 | | #6-32 X 1- 1/4 SOCKETCAP SCREW S.S. |
| 5 | 1 | CXP 1715 | BRASS PIPE REDUCER 1/4 X 1/8 |
| 6 | 1 | CXP 1238 | 1/4" AIR NIPPLE TO 1/4" MALE NPT |
| 7 | 1 | | FOG BURST VALVE 110V FOG BURST VALVE 220V |
| 8 | Q 750M 2 4606 LF(Linear Foot) | CXP 4245 | G3000 BLACK HOSE COVER LF |
| 9 | 1 | CXP 1222 | 1/2' PLASTIC STRAIN RELIEF |
| 10 | 1 | CXP 4198 | GREY NEUTRIK FEMALE LINE POWER OUT |
| 11 | 1 | | ICE JET DIN CONNECTOR |
| 12 | 1.500 LF(Linear Foot) Q 457M | | 18/3 SJOOV CABLE |
| 13 | 1 | | 3' AIR AMP MOUNTING BRACKET |
| 14 | 3 | CXP 1272 | #8 X 1/2' SELF TAPPING SCREW B/O |
| 15 | 1 | CXP 1296 | #8/32' NYLON LOCK NUT |
| 16 | 1 | CXP 1294 | 8/32 X 3/4" PANPHILIPS HEAD B/O |



9D PFI FOG BURST

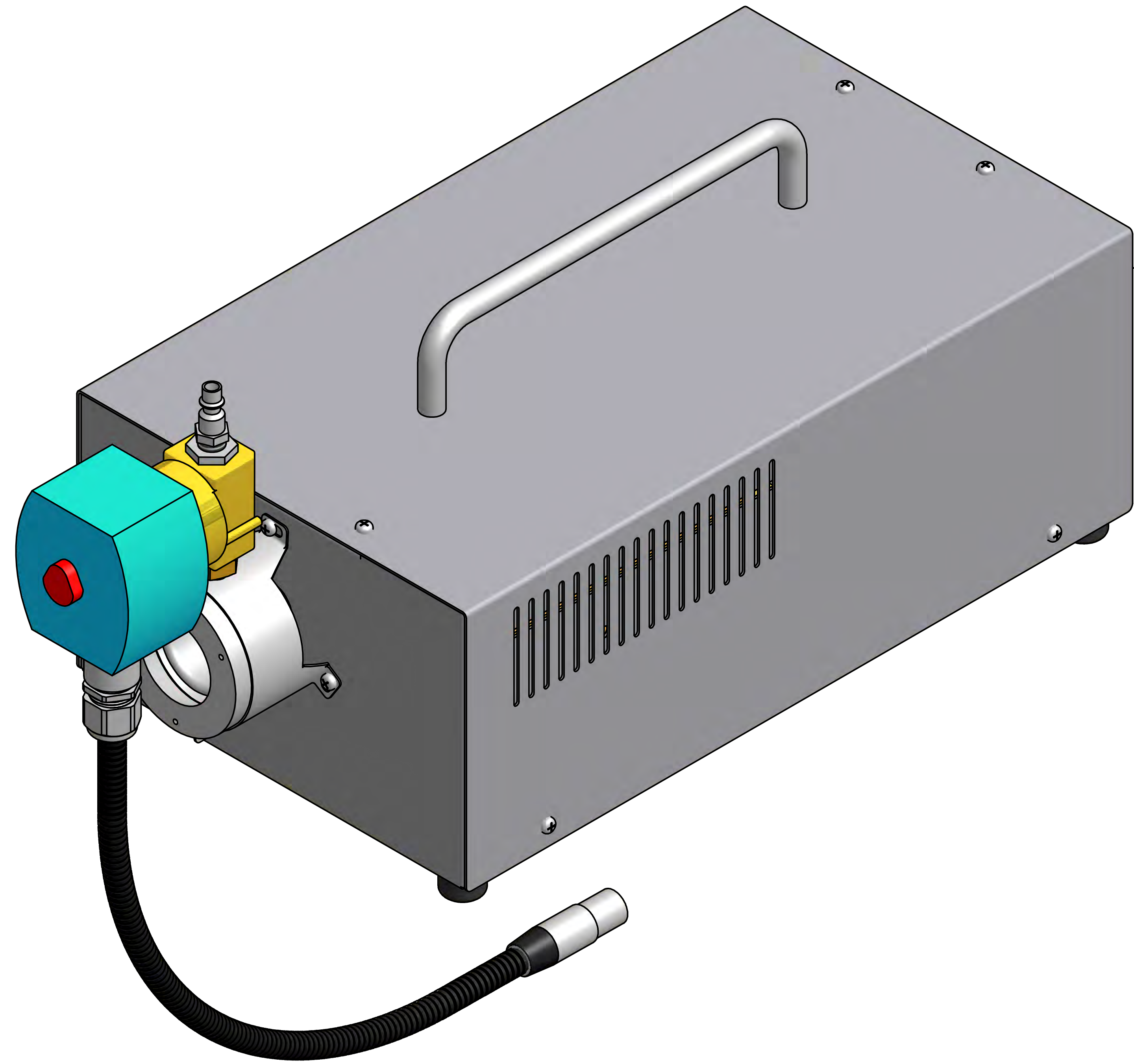


9D FOG BURST VALVE REV-A

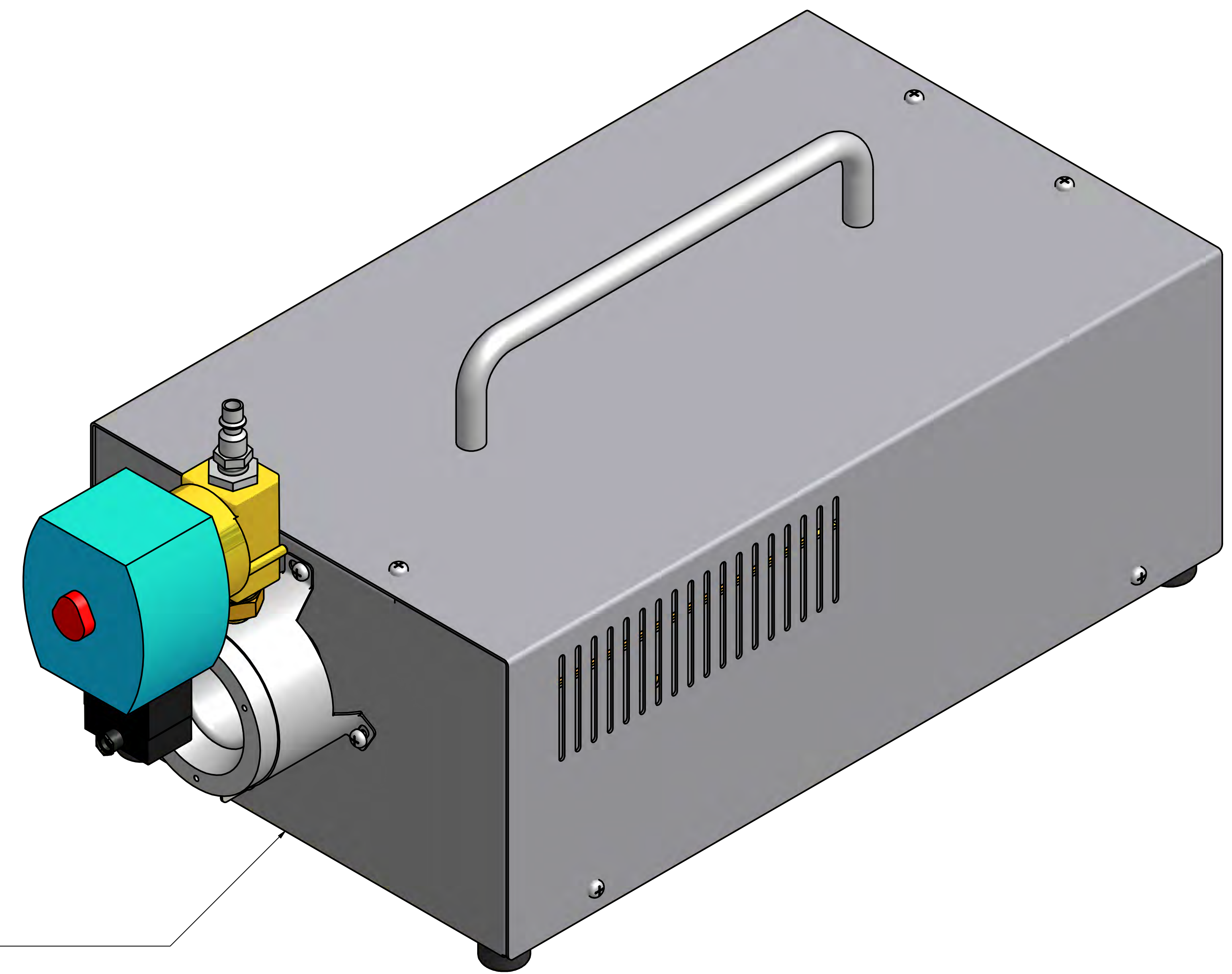


9D FOG BURST REV-B

POWER FOGGER INDUSTRIAL FOG BURST



PFI FOG BURST REV-A



PFI FOG BURST REV-B

| REVISION HISTORY | |
|------------------|------------|
| REV# | DATE |
| A | 24/08/2018 |