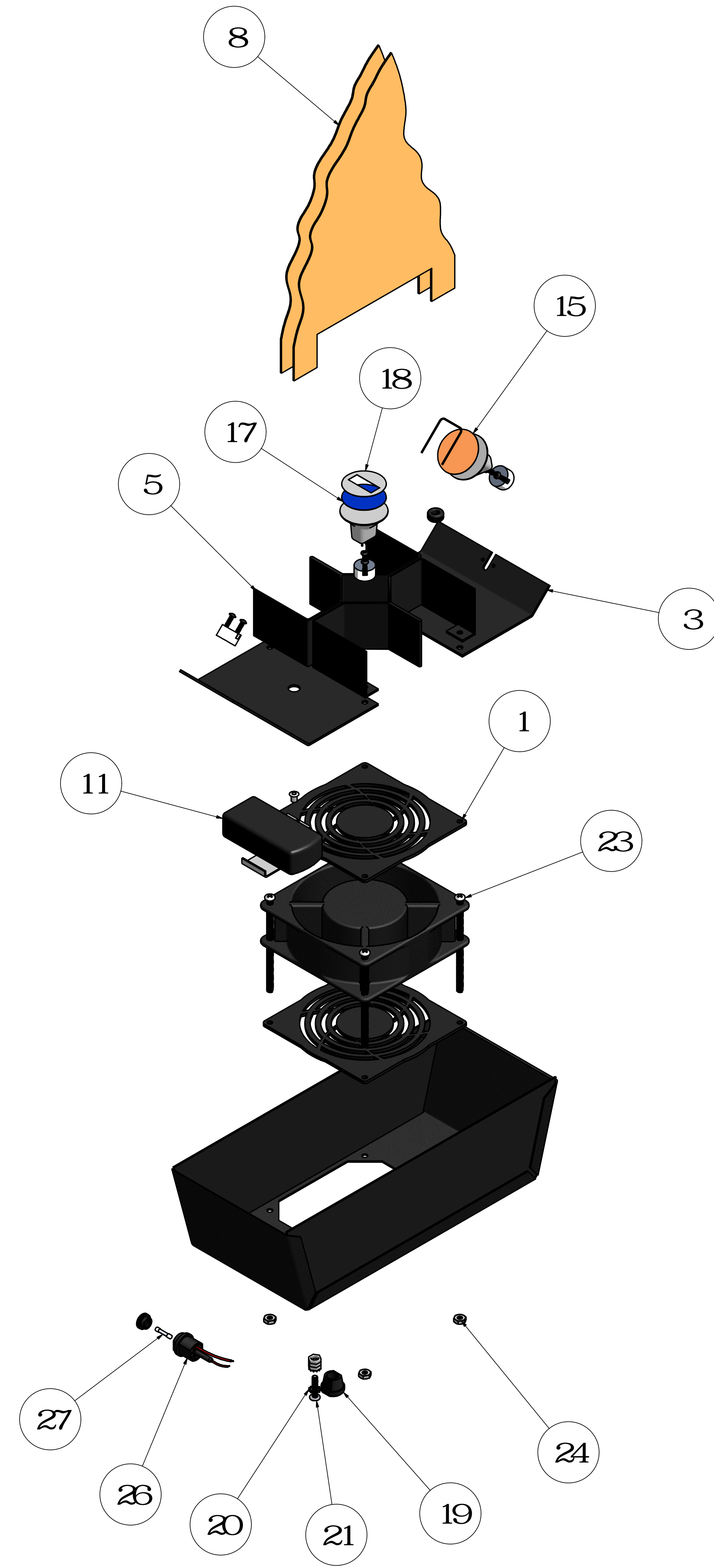
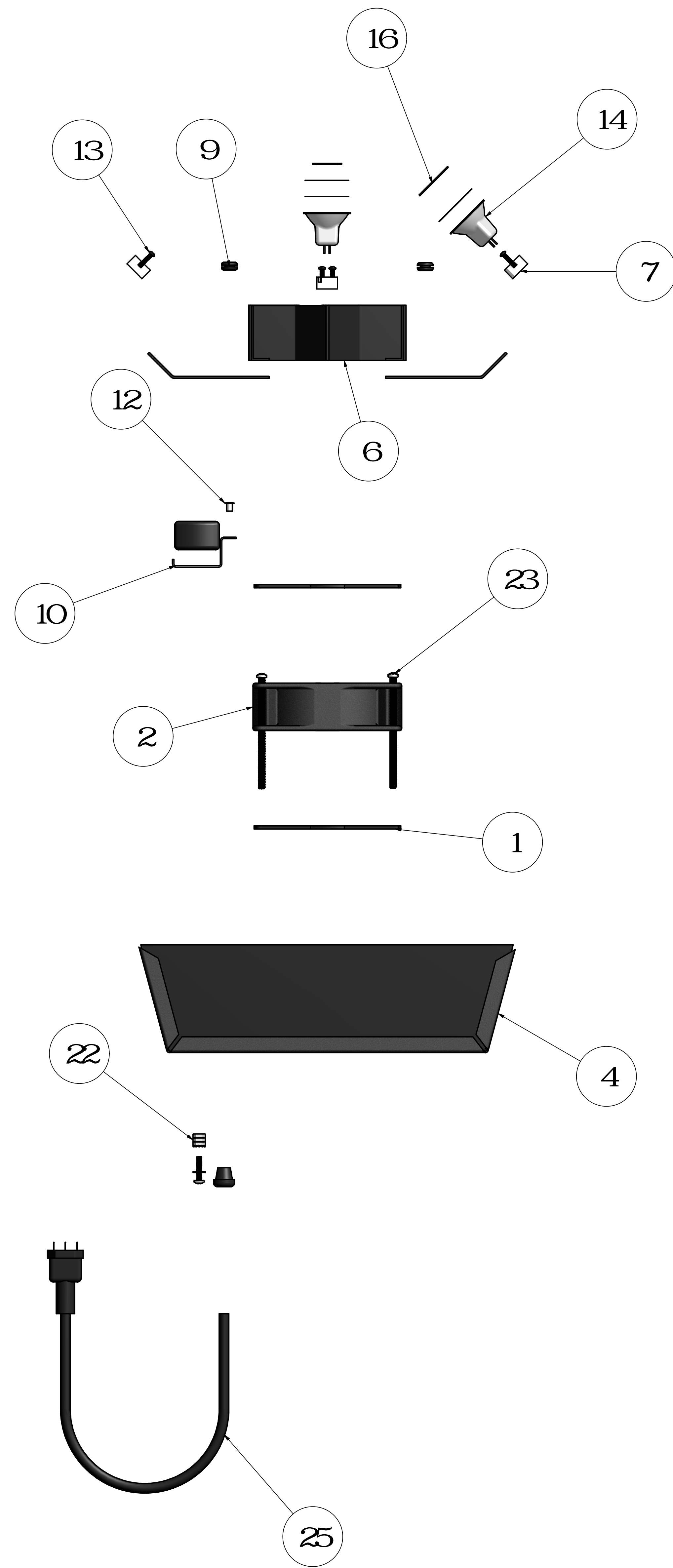


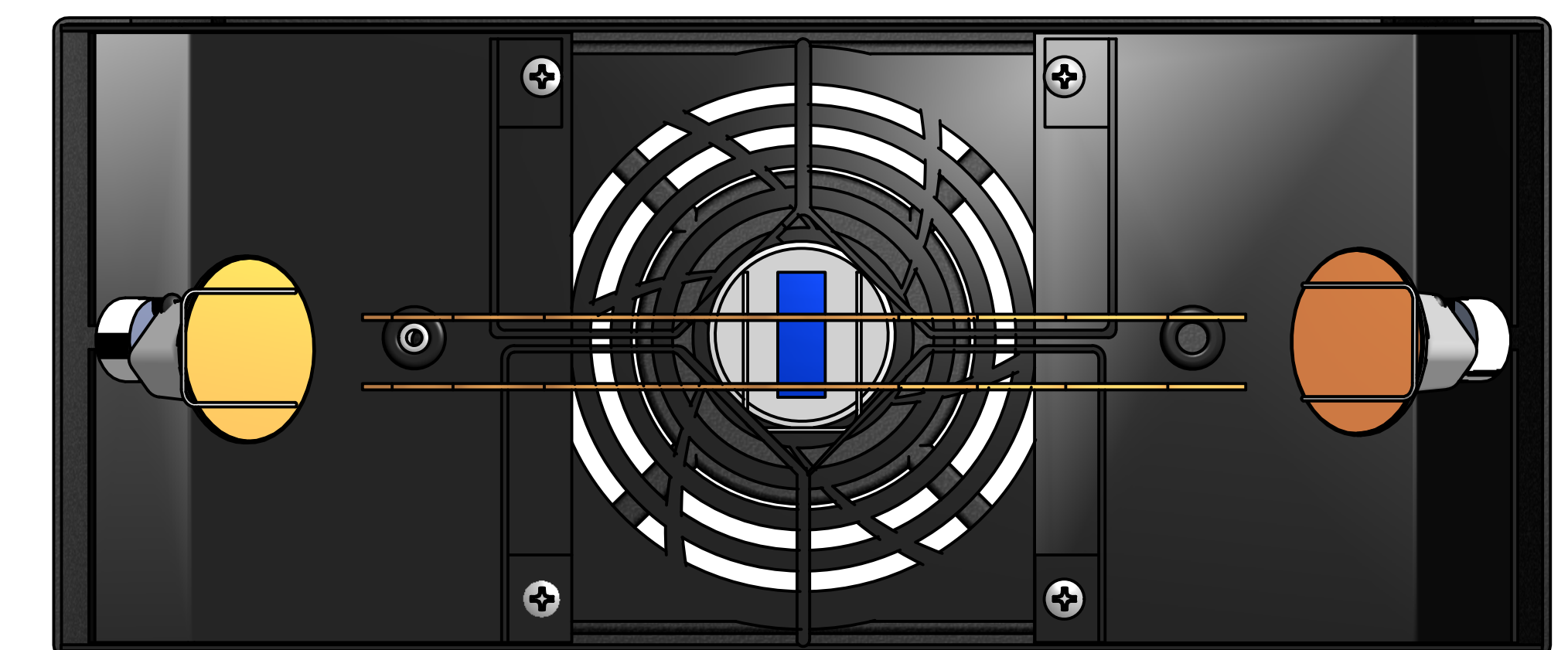
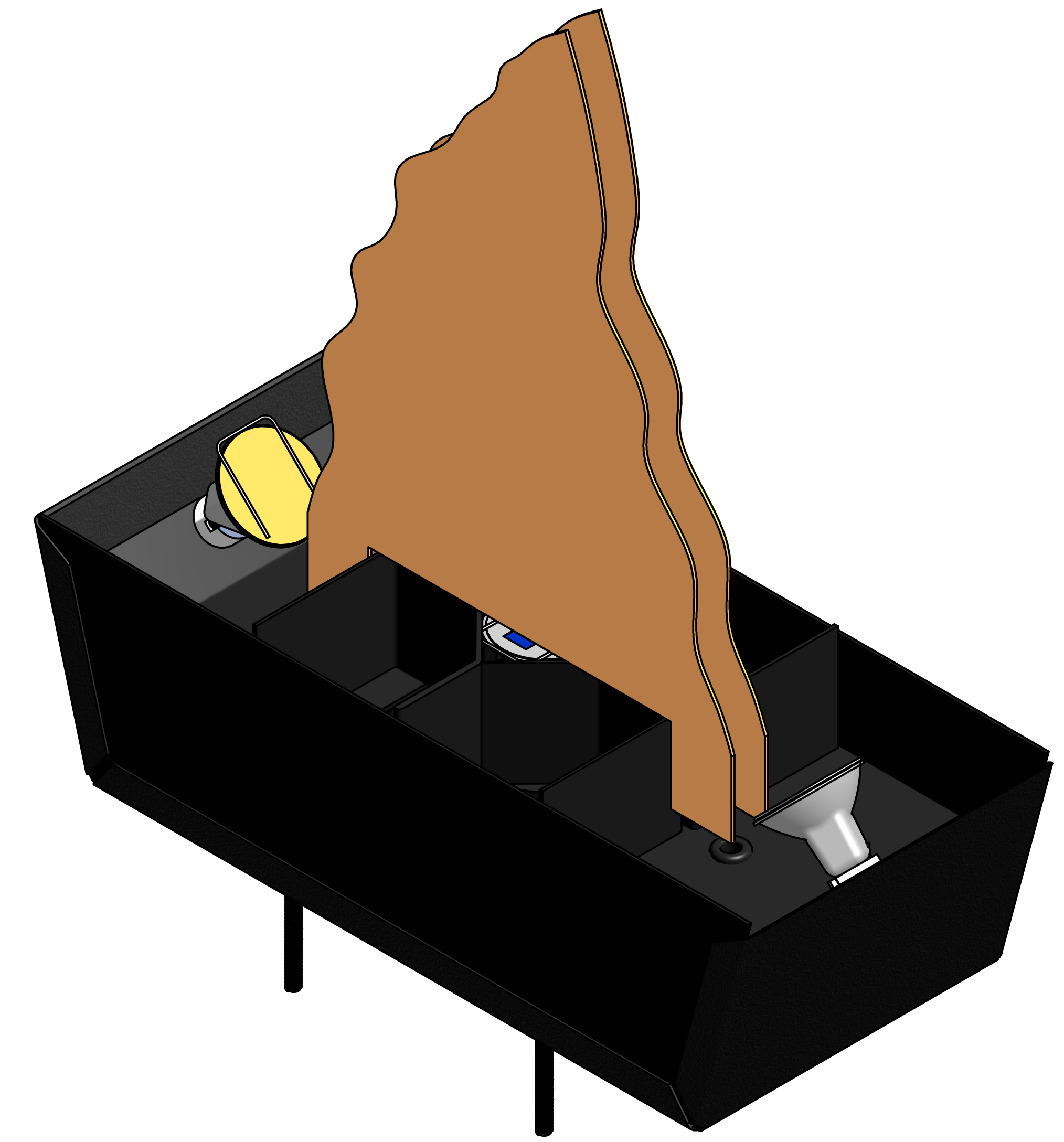
LE FLAME



PARTS LIST

ITEM	QTY	SALES NUMBER	DESCRIPTION
1	2	CXP 5028	LE FLAME FINGER GUARD
2	1	CXP 5021 CXP 5035	LE FLAME FAN 110V LE FLAME FAN 220V
3	2		LE FLAME LAMP HOLDER
4	1		LE FLAME CHASSIS
5	1		LE FLAME WIND/DIVERTER/LAMP HOLDER
6	1		LE FLAME WIND DIVERTER
7	3	CXP 5033	LE FLAME LAMP BASE
8	2	CXP 5020	LE FLAME REPLACEMENT SILK
9	2	CXP 1288	1/4" HOLE GROMMET THIN
10	1	CXP 5026	LE FLAME TRANSFORMER BRACKET
11	1	CXP 5032 CXP 5036	LE FLAME TRANSFORMER 110V LE FLAME TRANSFORMER 220V
12	1		RIVETS - 3/16" X3/8"
13	6		#4 X 1/2 PAN PHILLIPS H-LOBO
14	3	CXP 5025	LE FLAME REPLACEMENT LAMP (1)
15	1	CXP 5030	LE FLAME REPLACEMENT GEL KIT
16	3	CXP 5027	LE FLAME GEL SPRING
17	1	CXP 5030	LE FLAME REPLACEMENT GEL KIT
18	1	CXP 5038	LE FLAME CENTER GEL SHEILD (ALUMINUM)
19	1		"D" PLUG SMALL
20	2		#8 EXTERNAL TOOTH STAR WASHER
21	1		#8 32 X 3/4 PHILP PAN HEAD BO
22	3		8/32 STANDARD NUT
23	4		8/32 X 3 1/2 PAN HEAD PHILIPS SCREW
24	4	CXP 1296	8/32' NYLON LOCK NUT
25	1	CXP 6040	14/36 POWER CORD W/3 PRONG
26	1	CXP 5024	LE FLAME IN LINE FUSE HOLDER
27	1	CXP 5031	LE FLAME 1 AMP FUSE

LE FLAME



REVISION HISTORY	
REV-#	DATE
A	17/01/2017