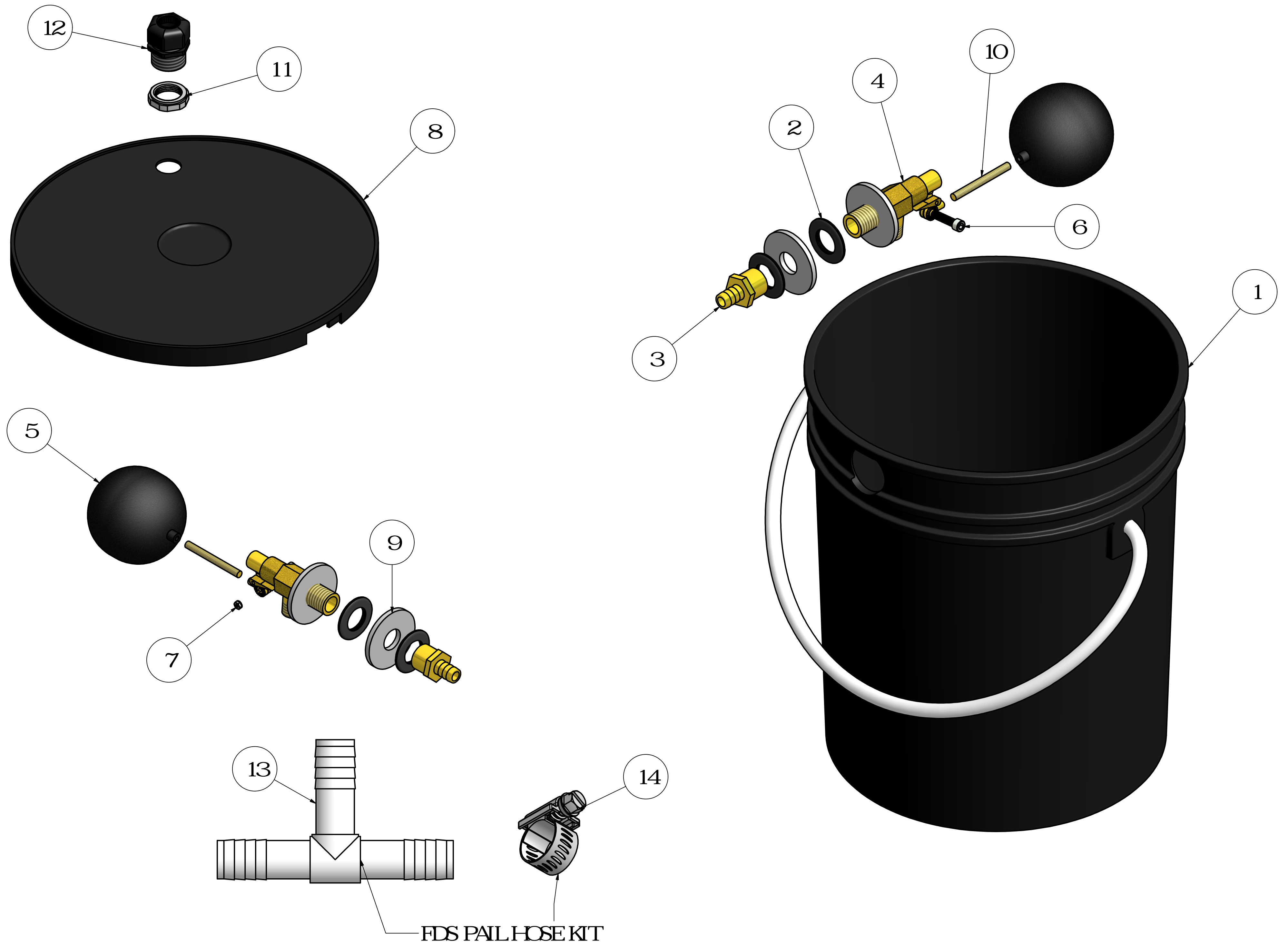


FDS PAIL UNIT



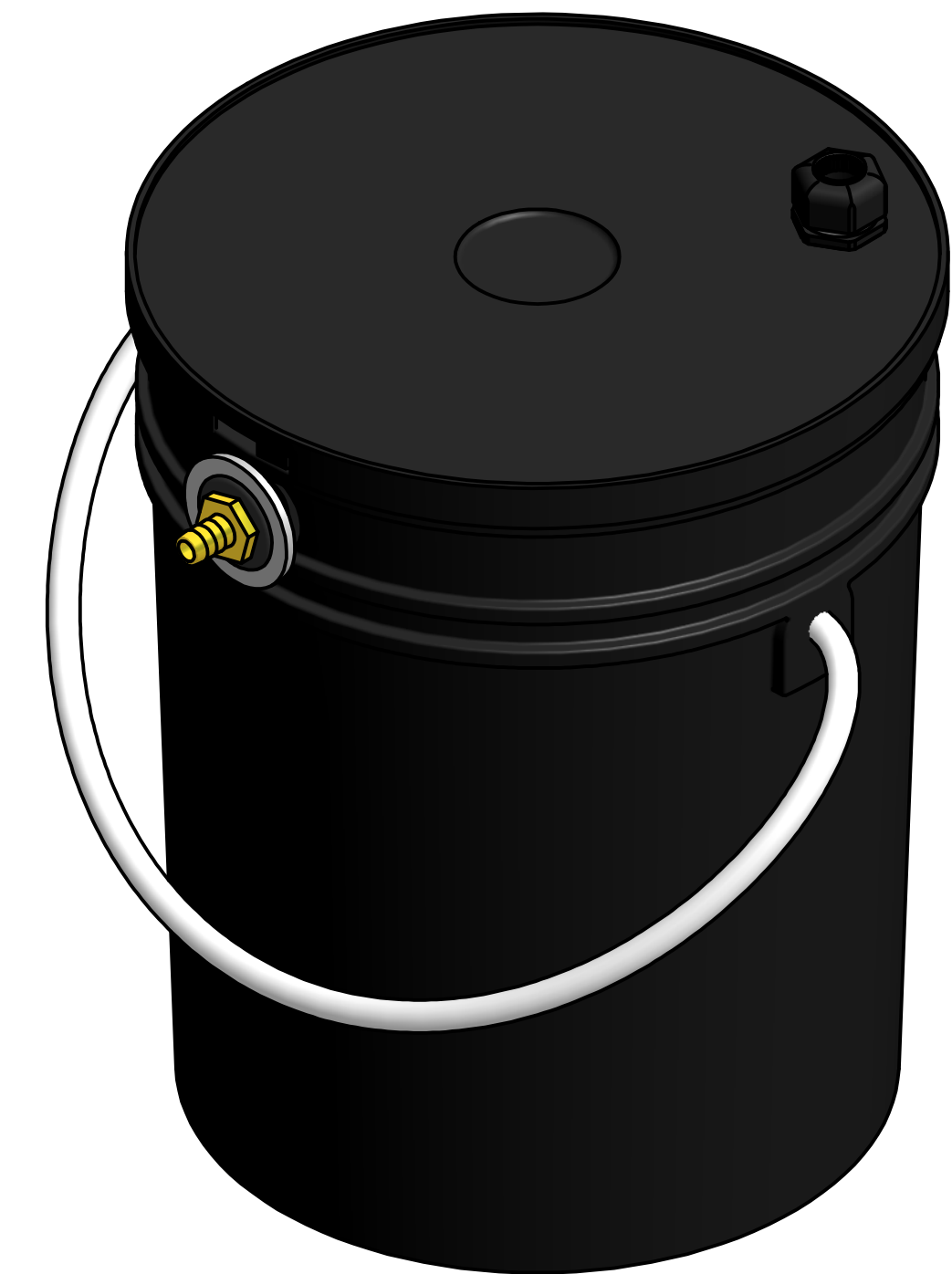
FDS PAIL HOSE KIT

PARIS LIST



FDS PAIL UNIT

ITEM	QTY	SALES NUMBER	DESCRIPTION
1	1		20L BLACK PLASTIC PAIL
2	2		RUBBER GROMMET
3	1		1/2 NPT FEMALE 1/2 BARB
4	1	CXP 1107	FDS PAIL 1/2" BRASS FLOAT VALVE
5	1	CXP 1105	FDS PAIL 5" FLOAT
6	1		1/4-20 X 1" SOCKET CAP SCREW S.S.
7	1		1/4 KEPS NUT S.S.
8	1		FDS PAIL LID
9	2		20MM WASHER S.S.
10	1		1/4-20 X 25" S.S. THREADED ROD
11	1		3/4" PLASTIC NUT
12	1	CXP 1221	3/4" PLASTIC STRAIN RELIEF
13	1		PLASTIC 1/2 BARB TEE
14	2		3/4 HOSE CLAMP



REVISION HISTORY	
REV-#	DATE
A	16/12/2016