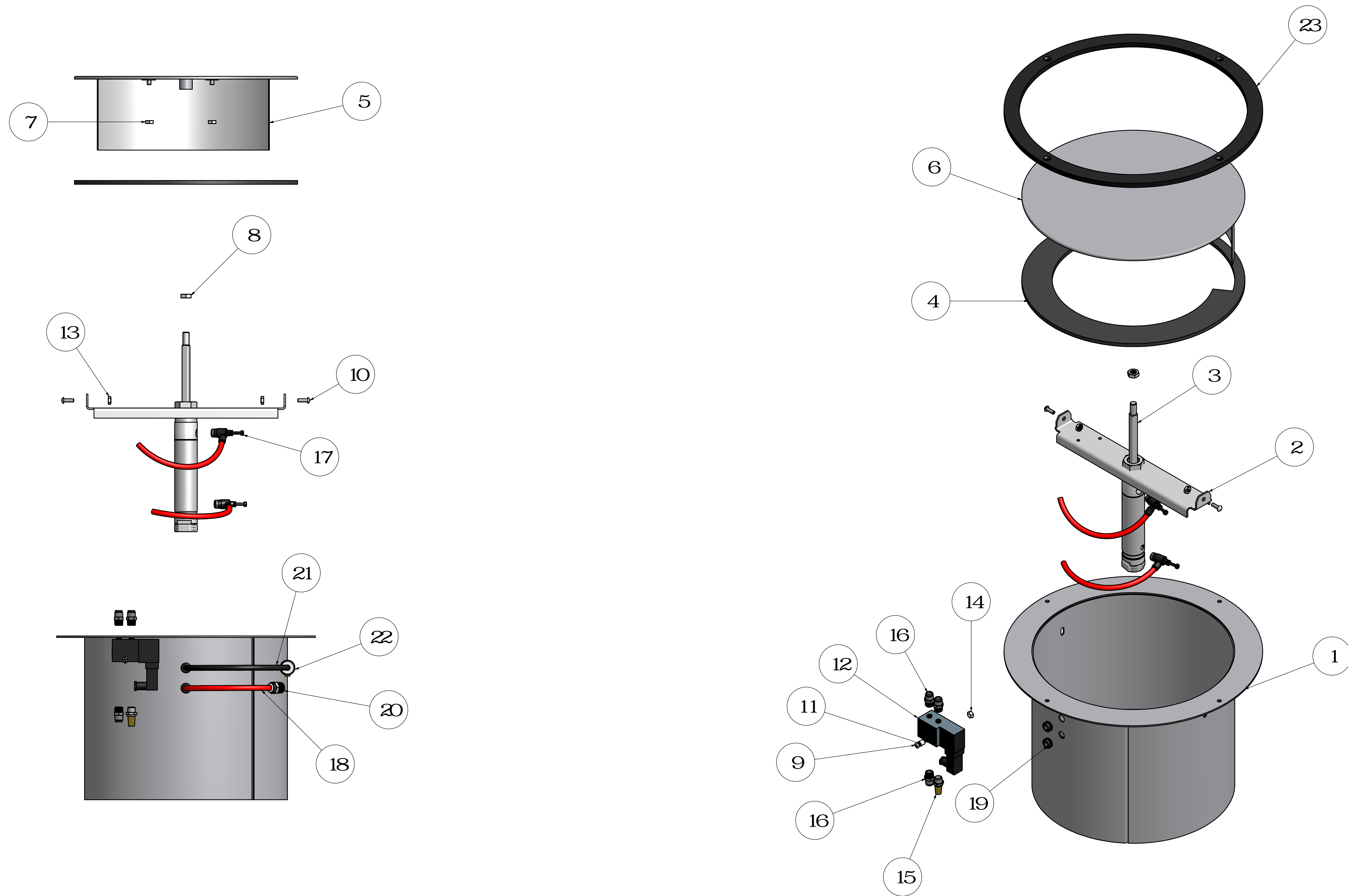
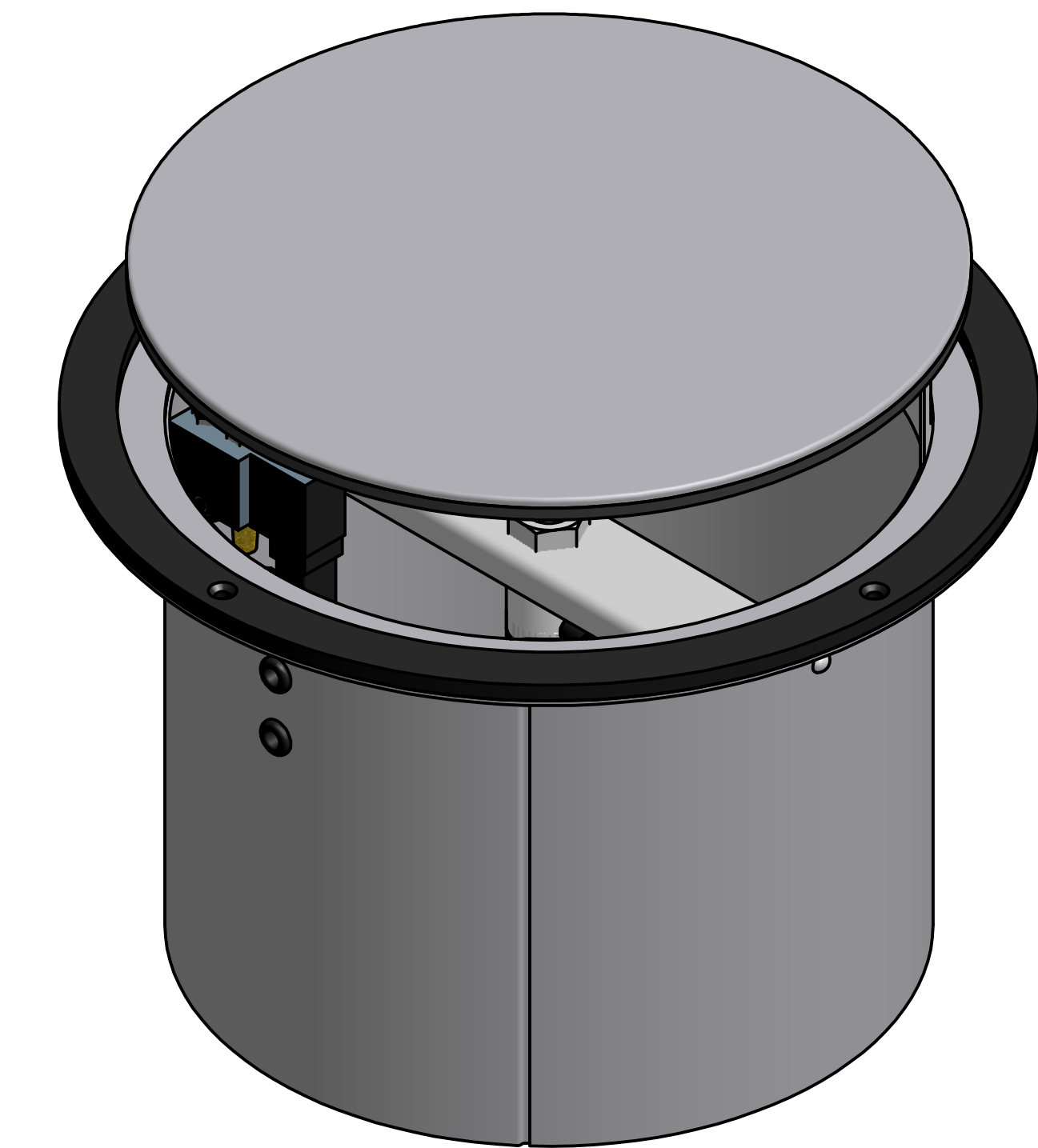


ROUND FLOOR POCKET 110V



ROUND FLOOR POCKET 110V



PARTS LIST			
ITEM	QTY	SALES NUMBER	DESCRIPTION
1	1		ROUND FLOOR POCKET CHASSIS
2	1		ROUND FLOOR POCKET CYLINDER BRACKET
3	1	CXP 1079	ROUND FLOOR POCKET NON-ROTATING CYLINDER 1-1/16 BORE
4	1	CXP 4090	FLOOR POCKET FOAM GASKET
5	1	CXP 1078	ROUND FLOOR POCKET SHIELD
6	1	CXP 1081	ROUND FLOOR POCKET LID
7	2		10/32 LOCK NUT
8	1		5/16 UNF STD.NUT
9	1		6/32 X 1 1/2 PAN HEAD SCREW
10	2		# 8-32 X 1/2 PAN BOLT
11	1		1/4" STANDOFF
12	1	CXP 1080	ROUND FLOOR POCKET SOLENOID 110V
		CXP 1119	ROUND FLOOR POCKET SOLENOID 220V
13	2		8/32" NYLON LOCK NUT
14	1		# 6-32 LOCK NUT
15	1	CXP 1085	ROUND FLOOR POCKET 1/8 AIR MUFFLER
16	3	CXP 1084	ROUND FLOOR POCKET 1/4 PUSH CONNECT X 1/8 STRAIGHT
17	2	CXP 1082	ROUND FLOOR POCKET 1/8 NPT THUMBSCREW FLOW VALVE
18	7.000 LF (Linear Foot) 2.1336 M	CXP 1072	1/4" POLYTUBE
19	2	CXP 1288	1/4" HOLE GROMMET THIN
20	1		ROUND FLOOR POCKET 1/4 PUSH CONNECT x 1/4 STRAIGHT
21	5.000 LF (Linear Foot) 1.524 M		18/3 SJOOW CABLE
22	1	CXP 4198	GREY NEUTRIK FEMALE LINE POWER OUT
23	1	CXP 1093	ROUND FLOOR POCKET SPACER RING 1/4" S.S.

REVISION HISTORY	
REV-#	DATE
A	27/12/2016