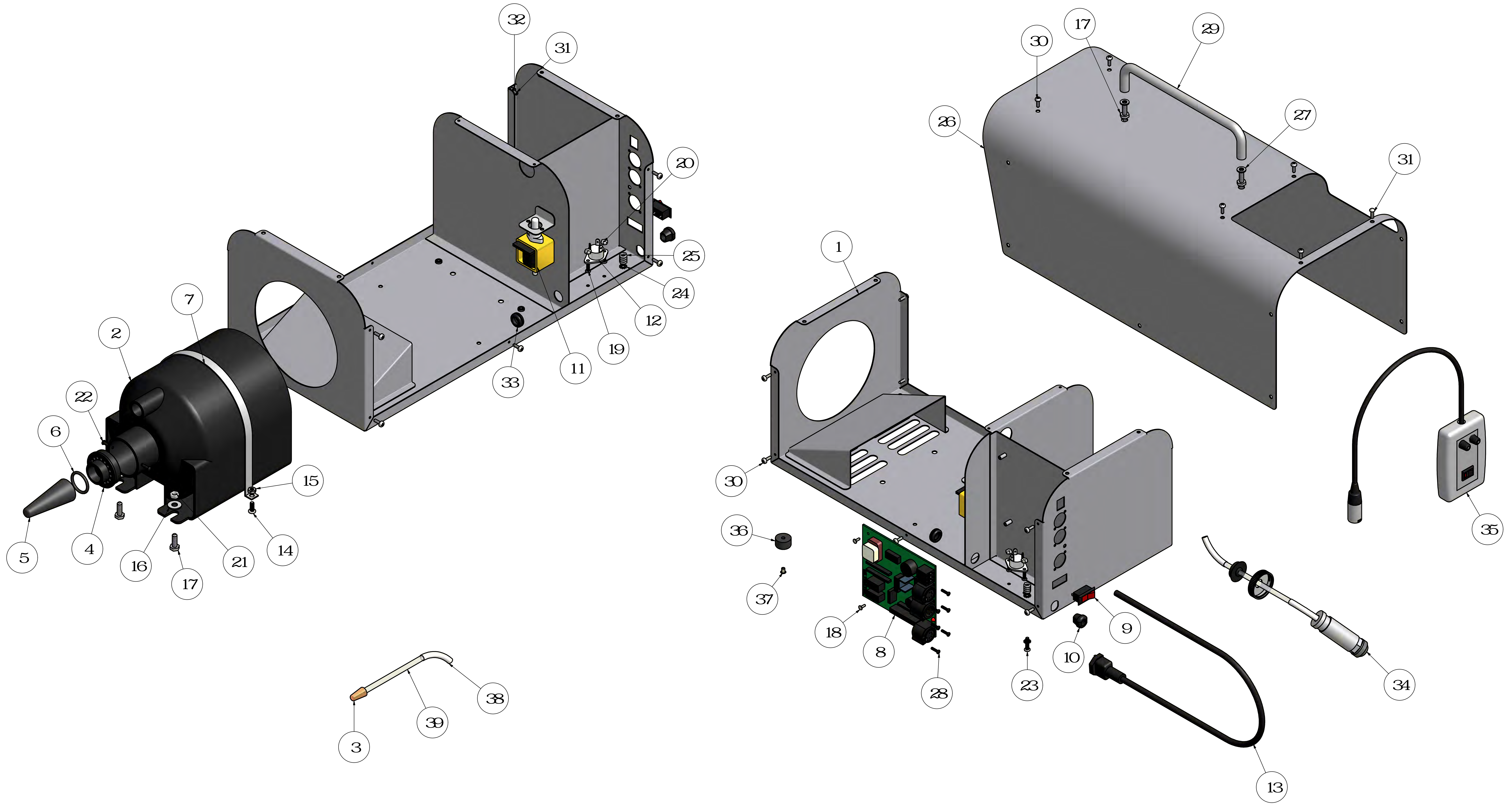


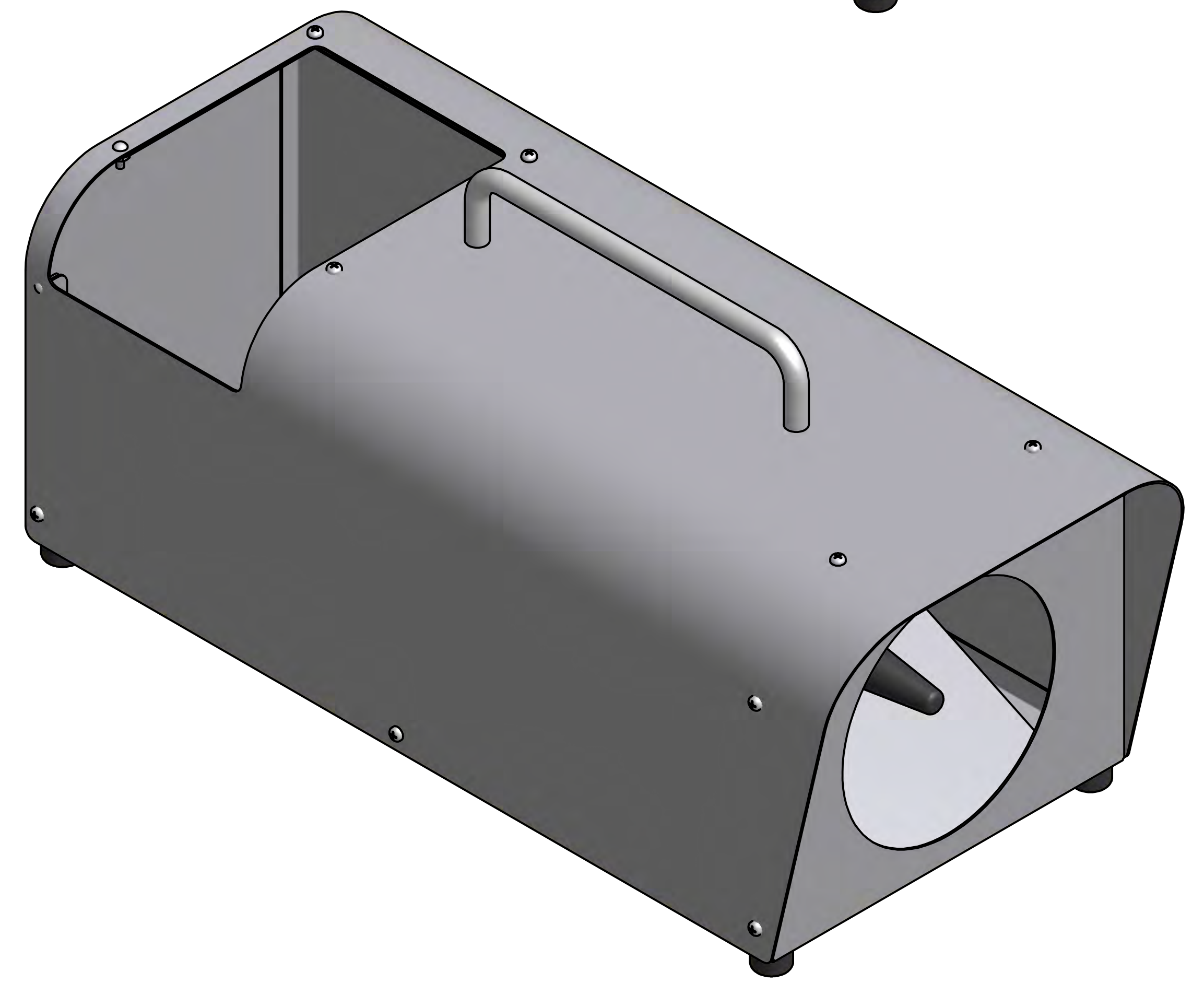
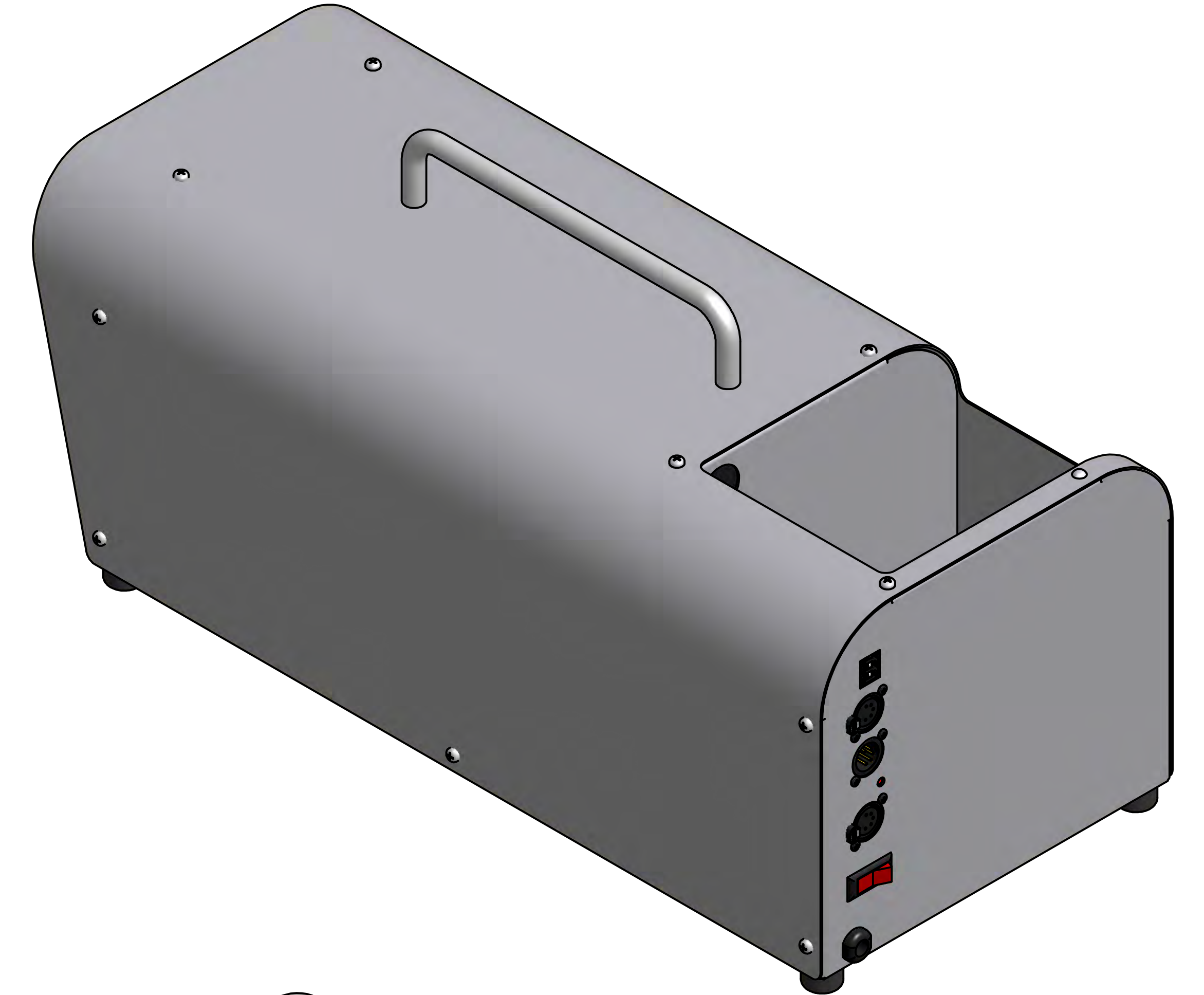
SILENT STORM DMX SNOW MACHINE 110V



PARIS LIST

ITEM	QTY	SALES NUMBER	DESCRIPTION
1	1	CXP 1161	SILENT STORM CHASSIS BASE
2	1	CXP 1117	SNOW MACHINE BLOWER 110V
		CXP 1285	SNOW MACHINE BLOWER 220V
3	1	CXP 3611	4MM QUICK CONNECT BRASS STONE FILTER
4	1	CXP 7103	SNOW MACHINE PLASTIC NOZZLE
5	1		SNOW MACHINE NET NOZZLE
6	1	CXP 3614	SNOW MACHINE O-RING
7	1	CXP 7110	SNOW MACHINE BLOWER STRAP
8	1	CXP 7115	SILENT STORM PCB 110V 5-PIN
		CXP 7125	SILENT STORM PCB 220V 5-PIN
9	1	CXP 7108	RADIANCE/SNOW POWER SWITCH
10	1	CXP 4261	"D" PLUG FOR 14/3 CABLE
11	1	CXP 3607	SNOW MACHINE/RADIANCE PUMP 110V
		CXP 3617	SNOW MACHINE/RADIANCE PUMP 220V
12	1	CXP 2475	HEATER TRIAC
13	1	CXP 6040	14/3 6 POWER CORD W/3 PRONG
14	2		#10-32 X 1/2" PHILP MACHINE SCREW
15	2		10/32 LOCK NUT
16	4	CXP 4286	1/4" FLAT WASHER
17	6		1/4" X 3/4" HEXBOLT FLATED GRADE 5
18	2		#6-32 X 1/4" PHILIP SCREW B/O
19	2		6/32 X 1/2" PANPHL SCREW B/O
20	2		#6-32 LOCK NUT
21	4		1/4" NYLON LOCK NUT
22	2		#6-32 X 1/2" SELF TAPER
23	1	CXP 1294	#8-32 X 3/4 PHILP PANHEAD B/O
24	2		#8 EXTERNAL TOOTH STAR WASHER
25	4		8/32 STANDARD NUT
26	1	CXP 1162	SILENT STORM LID ONLY
27	2	CXP 4255	LOCK WASHER - 1/4"
28	6		#4 X 1/2 PANPHILIPS H-LOBO
29	1	CXP 7106	9 X 1/2" HANDLE PFI/SNOW/PRISM
30	14	CXP 1272	#8 X 1/2" SELF TAPPING SCREW B/O
31	2		#8-32 X 1/2 PAN BOLT
32	2		8/32" NYLON LOCK NUT
33	1		3/8" RUBBER GROMMET
34	1		SILENT STORM JUG HOSE ASSEMBLY
35	1	CLS 7110	SILENT STORM REMOIE 5-PIN
36	4	CXP 2436	MACHINE FEET - SET OF 4
37	4		RIVEIS - 3/16" X 1/2"
38	1	CXP 2476	1/4" SILICONE TUBE LF
39	1	CXP 3616	SNOW MACHINE 4MM FLUID TUBE LF

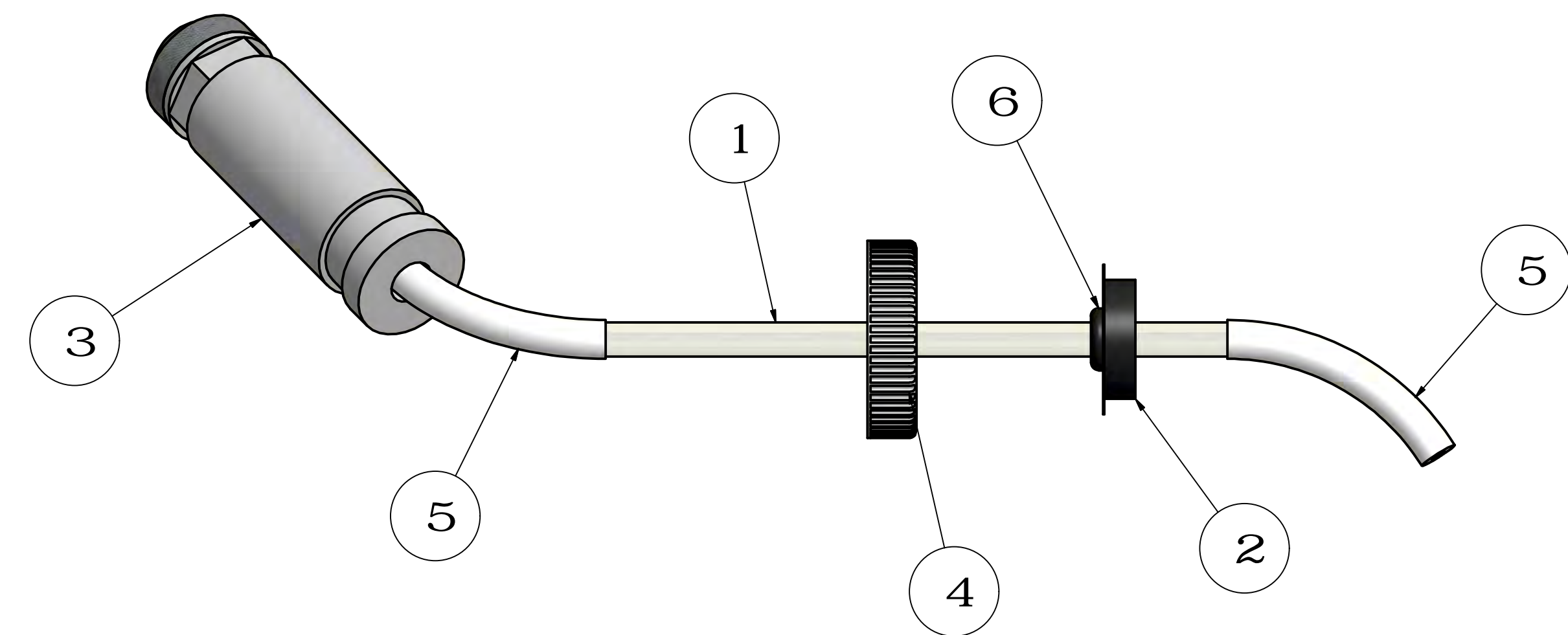
SILENT STORM DMX SNOW MACHINE 110V



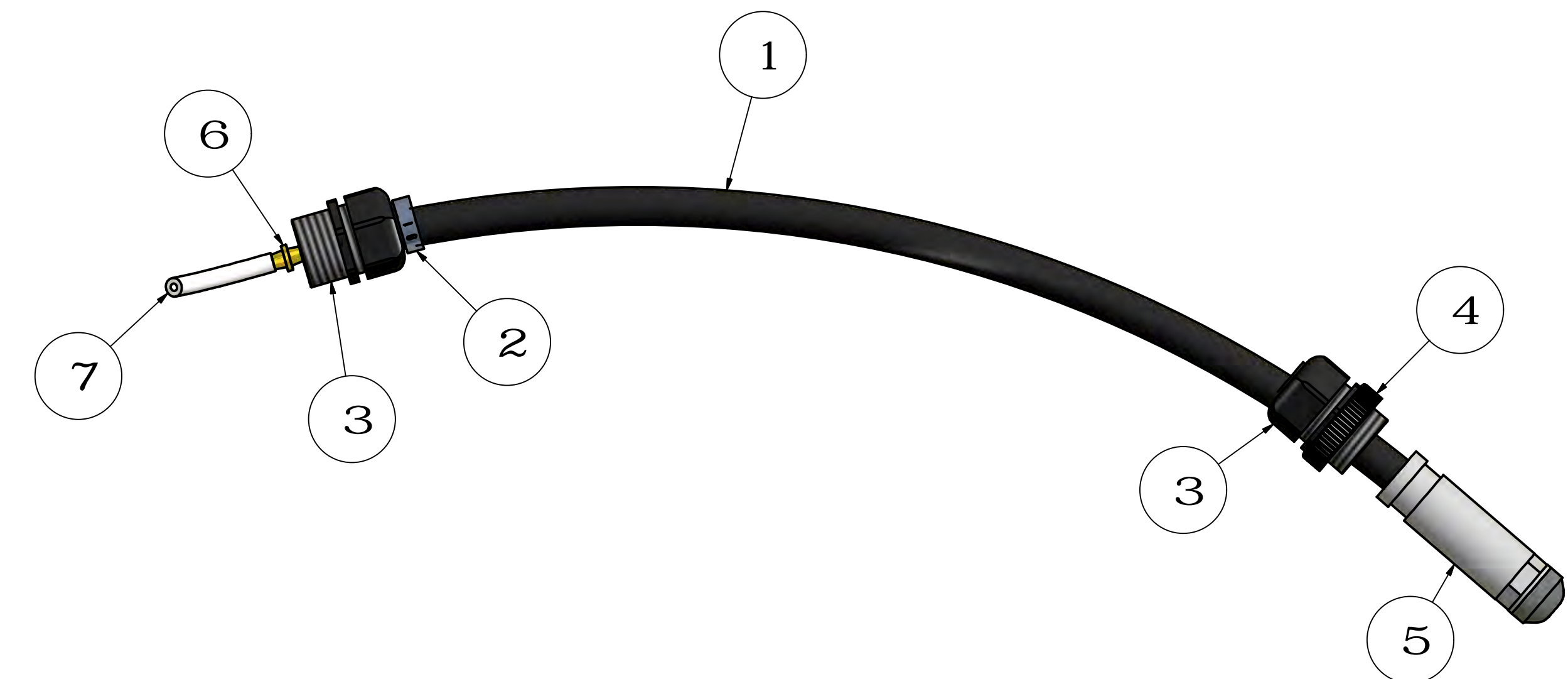
REVISION HISTORY

REV-#	DATE
B	03/07/2018

JUG HOSE ASSEMBLY



INDUSTRIAL HOSE ASSEMBLY



PARTS LIST

ITEM	QTY	SALES NUMBER	DESCRIPTION
1	4 160FT 1.267M	CXP 3616	SNOW MACHINE 4MM FLUID TUBE LF
2	1		HOLE PLUG FOR INDUSTRIAL
3	1	CXP 4290	INDUSTRIAL FILTER CHECK VALVE
4	1		JUG CAPS WHITE (2LT / 4LT)
5	0.750LF (Linear Foot) 0.2286M	CXP 2476	1/4" SILICONE TUBE LF
6	1	CXP 1288	1/4" HOLE GROMMET THIN

PARTS LIST

ITEM	QTY	SALES NUMBER	DESCRIPTION
1	5 000LF (Linear Foot) 1.524M	CXP 1216	1/4ID BLACK PVC INDUSTRIAL HOSE
2	1	CXP 2060	5/8 S.S. INDUSTRIAL HOSE CLAMP
3	2	CXP 1221	3/4" PLASTIC STRAIN RELIEF
4	1		JUG CAPS WHITE (2LT / 4LT)
5	1	CXP 4290	INDUSTRIAL FILTER CHECK VALVE
6	1		BRASS HOSE CONNECTOR 1/4" X 1/4"
7	0.750LF (Linear Foot) 0.2286M	CXP 2476	1/4" SILICONE TUBE LF